

Combination Hammer and Rotary Hammer with Dust collection system series

40V max

HR009G+DX11
Capacity: 30mm
Impact energy: 3.9 J



40V max

HR008G+DX10
Capacity: 30mm
Impact energy: 3.9 J



Quick change drill chuck



40V max

HR007G+DX15
Capacity: 28mm
Impact energy: 3.0 J



40V max

HR010G+DX16
Capacity: 20mm
Impact energy: 2.1 J



Accessories

Dust case set

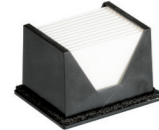
Part No.
1916C0-9
1916C1-7 (For North American countries only)



HEPA Filter set

Part No.
199596-7

HEPA filter



Dust cup set

For drilling

Part No.
HR011G: 1914L7-6
HR012G: 1914L8-4



Dust cup set

For hammering

Part No.
HR011G: 1914L9-2
HR012G: 1914M0-7



Tool holder set

HR012G only

Part No.
191F47-2



Keyless drill chuck set

Part No.
194254-0



Drill chuck set

Part No.
194041-7



Hook set

Part No.
191W90-3



Grease vessel set

Part No.
198993-4
194683-7



Wireless unit set

Part No.
199393-1
198901-5
198900-7



Charging Time

Battery	Fast Charging	
	DC40RA	DC40RC
*1 BL4020 2.0Ah	22 min	30 min
*1 BL4025 2.5Ah	28 min	38 min
*1 BL4040/F 4.0Ah	45 min	67 min
BL4050F 5.0Ah	50 min	85 min
BL4080F/H 8.0Ah	76 min	170 min

*1 Recommended battery

Cordless Combination Hammer

HR011G/ HR012G 28 mm (1-1/8") Adapted for SDS-PLUS bits

Brake	Blows per minute	0 - 5,000 min ⁻¹
Reversing	No load speed	0 - 1,130 min ⁻¹
Anti-restart function	Capacity	Concrete (w/ TCT bit): 28 mm (1-1/8") Steel: 13 mm (1/2") Wood: 32 mm (1-1/4")
Electronic 4-Speed	Impact energy	3.3 J
Adapted for SDS-PLUS bits	Vibration level *	HR011G: 10.5 m/s ² / HR012G: 10.2 m/s ² (Mode: Hammer drilling into concrete) HR011G: 11.0 m/s ² (Mode: Hammer drilling into concrete with DX17) HR012G: 9.1 m/s ² (Mode: Hammer drilling into concrete with DX18) HR011G: 7.3 m/s ² / HR012G: 6.9 m/s ² (Mode: Chiselling)
Torque Limiter	Uncertainty (K) for Vibration *	HR011G: 1.5 m/s ² / HR012G: 1.8 m/s ² (Mode: Hammer drilling into concrete) 1.5 m/s ² (Mode: Hammer drilling into concrete with DX17 / DX18) 1.5 m/s ² (Mode: Chiselling)
Constant Speed	Sound pressure level *	HR011G: 97 dB(A), 98 dB(A) (with DX17) HR012G: 96 dB(A), 98 dB(A) (with DX18)
Dust Collection	Sound power level *	HR011G: 105 dB(A), 105 dB(A) (with DX17) HR012G: 104 dB(A), 106 dB(A) (with DX18) 3 dB(A), 3 dB(A) (with DX17 / DX18)
Built-in Job Light	Uncertainty (K) for Noise *	HR011G: 391 x 104 x 223 mm (15-3/8 x 4-1/8 x 8-3/4") HR012G: 419 x 104 x 223 mm (16-1/2 x 4-1/8 x 8-3/4")
Carrying Case	Dimensions (L x W x H)	(BL4040/BL4040F) (BL4040/BL4040F)
	(Battery)	
	Net weight	HR011G: 3.8 - 5.5 kg (8.4 - 12.1 lbs.) / HR012G: 4.0 - 5.4 kg (8.8 - 11.9 lbs.)
	(Battery)	BL4020 - BL4080F

*EN62841-2-6

Standard Equipment : Side grip, Drill chuck assembly (HR012G only), Depth gauge, Grease vessel, Battery, Charger

The net weight value includes the lightest and heaviest combination of the attachment(s) for normal and safe use and battery cartridge(s) which are specified in the instruction manual. Items of standard equipment and specifications may vary by country or area.

Makita Corporation

3-11-8 Sumiyoshi-cho, Anjo, Aichi, 446-8502 Japan

PRINTED IN JAPAN 202512



www.makita.com

Satisfy Professional's Needs



Cordless Combination Hammer
HR011G / HR012G
28 mm (1-1/8") Adapted for SDS-PLUS bits



XGT
40V max
Li-ion

Impact energy

3.3
Joule

Maximum drilling efficiency in its class*

Compact and lightweight design with low vibration

* In the category of 28 mm-class cordless hammer drills with SDS-plus shank. According to our research as of November 2025.



Dust collection system
DX17/DX18

Clean operation with excellent maneuverability

Low vibration
Hammer drilling into concrete

HR011G **10.5** m/s²

HR012G **10.2** m/s²

Work efficiency
increased by

about **30** %

Compared to our previous model

Max. drilling capacity

28 mm

Photo: HR011G + DX17



HR011G
Dust collection system DX17 (option)

HEPA filter



HR012G

Quick change drill chuck

Dust collection system DX18 (option)

HEPA filter



Maximum drilling efficiency in its class*

* In the category of 28 mm-class cordless hammer drills with SDS-plus shank. According to our research as of November 2025.

Drilling efficiency increased by about **30%** compared to our previous model

- Drill diameter: $\phi 16.0$ mm
- Depth: 60 mm
- Concrete with compressive strength of 40 N/mm²

HR011G	130
Our previous model	100

Slow Drilling efficiency Fast

Compact and lightweight
600 g lighter than our previous model



Filter cleaning
Turning the dial removes dust from the filter and restores dust collection performance.

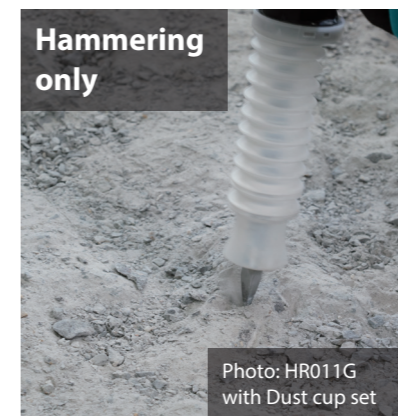
Our previous model
* With the dust collection system installed

Photo: HR011G + DX17

BL MOTOR
High-power brushless motor

XPT
High water-resistance compatible with XPT (eXtreme Protection Technology)

Three operation modes



Electronic speed switch

From heavy-duty tasks to delicate tasks



Speed indicator	Blows per min: min ⁻¹	Recommended application
4	5,000	Drilling, chiseling and chipping work
3	4,250	Scraping and chiseling work
2	3,250	Reducing breakage and wear when drilling with small-diameter bits
1	1,400	Minimizing edge chipping when drilling into tiles



Dust collection system DX17/DX18

Clean operation with excellent maneuverability



AVT

Anti-Vibration Technology
Low vibration

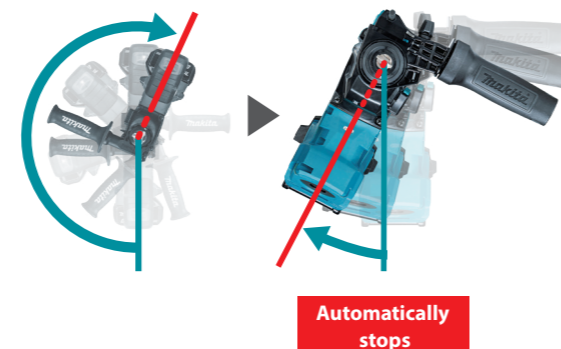
- HR011G**
- Hammer drilling into concrete: 10.5 m/s²
 - Hammer drilling into concrete with DX17: 11.0 m/s²
 - Chiselling: 7.3 m/s²
- HR012G**
- Hammer drilling into concrete: 10.2 m/s²
 - Hammer drilling into concrete with DX18: 9.1 m/s²
 - Chiselling: 6.9 m/s²
- According to EN62841-2-6

Minimizing user strain during continuous operation.



AFT

Active Feedback sensing Technology
Turns the motor off if bit rotation is suddenly forced to stop.



AWS

Auto-start Wireless System
Connects to compatible vacuum cleaner with Bluetooth. The vacuum cleaner automatically runs while the switch is on.



New light structure

By adopting a light-guiding structure that directs the tool's LED light to the front of the dust collection system, the need for an LED light and LED circuit within the system is eliminated.

