



TH	THAILAND
----	----------

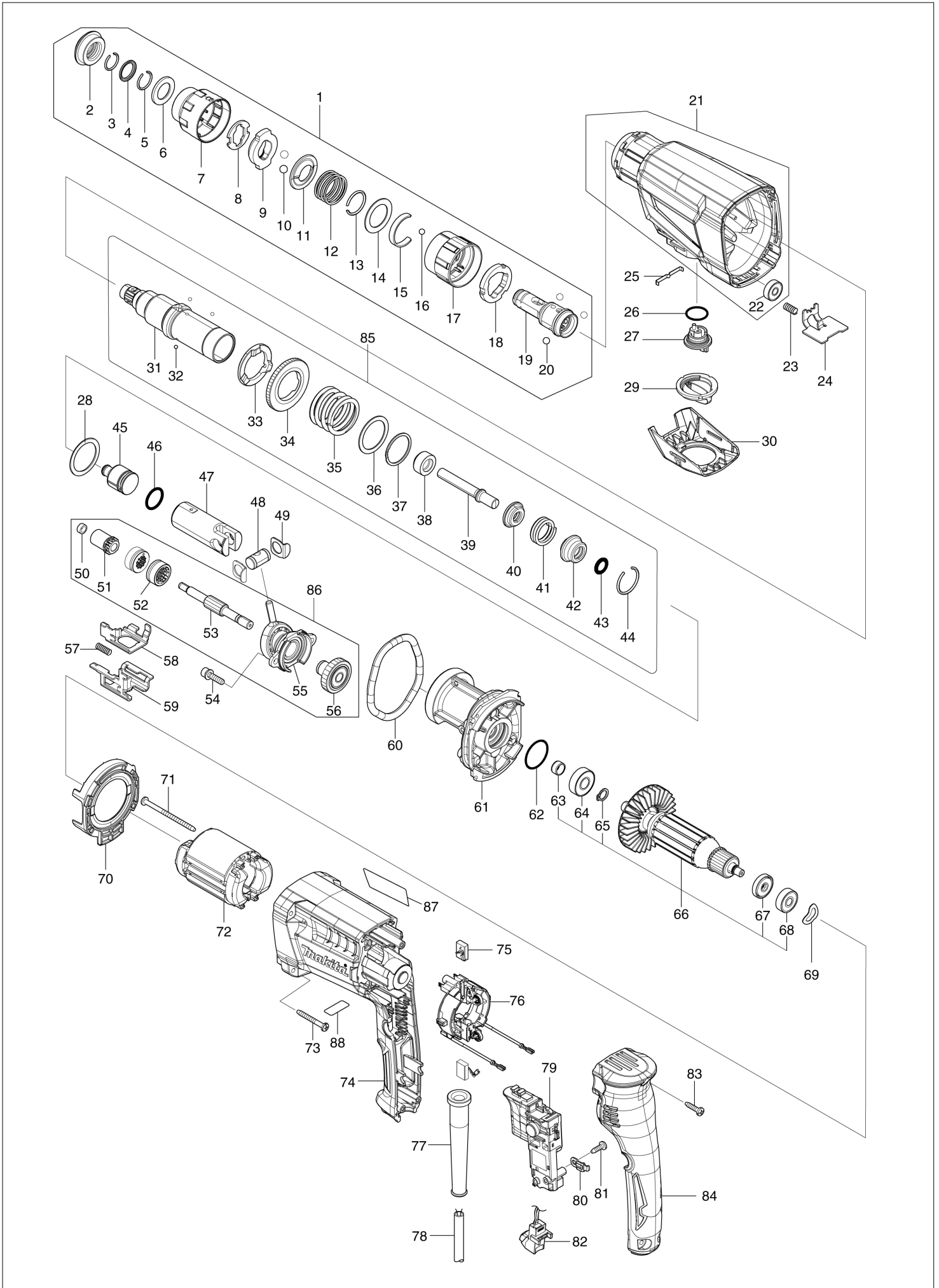
Diagram / Parts List

HR2670FT

26MM COMBINATION HAMMER



(TH) HR2670FT / 26MM COMBINATION HAMMER



TH	THAILAND
----	----------

HR2670FT / 26MM COMBINATION HAMMER

Item	Sub	Parts No.	Parts Description	Qty	I/C	E/C No.	Close No.	Remark
001		127219-7	TOOL HOLDER ASSEMBLY	1				
	D10		INC. 2-20					
002		422570-3	CAP 35	1				
003		233989-9	RING SPRING 14	1				
004		346834-0	WASHER 16	1				
005		233992-0	RING SPRING 15	1				
006		253467-3	WASHER 17	1				
007		459162-5	CHUCK COVER	1				
008		347687-0	PLATE	1				
009		310926-1	STOPPER	1				
010		216022-2	STEEL BALL 7.0	2				
011		347745-2	GUIDE WASHER	1				
012		232554-1	COMPRESSION SPRING 26	1				
013		233924-7	RING SPRING 21	1				
014		253468-1	FLAT WASHER 24	1				
015		232555-9	LEAF SPRING	1				
016		216018-3	STEEL BALL 5.0	1				
017		459159-4	CHANGE COVER A	1				
018		347496-7	CHANGE RING A	1				
019		327264-4	TOOL HOLDER	1				
020		216013-3	STEEL BALL 6	3				
021		137222-0	GEAR HOUSING ASS'Y	1				
	D10		INC. 22					
022		210143-2	BALL BEARING 626ZZ	1				
023		233360-7	COMPRESSION SPRING 4	1				
024		347C59-7	LOCK PLATE	1				
025		232286-0	LEAF SPRING	1				
026		213278-8	O RING 17	1				
027		137166-4	CHANGE LEVER ASSEMBLY	1				
	C10	263005-3	RUBBER PIN 6	1				
028		267153-0	FLAT WASHER 30	1				
029		455394-2	CHANGE LEVER CAP	1				
030		4130H9-3	CHANGE LEVER COVER	1				
031		141W50-5	TOOL HOLDER GUIDE COMPLETE	1				
032		216019-1	STEEL BALL 3	3				DX515
032-1		216068-8	STEEL BALL 3	3	<	DX515		
033		327D75-1	DRIVING FLANGE	1				
034		227B57-0	SPUR GEAR 40	1				
035		234148-8	COMPRESSION SPRING 31	1				
036		267153-0	FLAT WASHER 30	1				
037		257932-4	SPIRO LOCK WASHER 30	1				
038		327D80-8	SLEEVE 9	1				
039		327D82-4	IMPACT BOLT B	1				
040		325792-3	WASHER 10	1				
041		234149-6	COMPRESSION SPRING 20	1				
042		325793-1	O-RING CASE B	1				
043		213073-6	O RING 9	1				
044		233979-2	RING SPRING 28	1				
045		325784-2	STRIKER	1				
046		213258-4	O RING 17.5	1				
047		327D74-3	PISTON CYLINDER	1				
048		327D79-3	PISTON JOINT	1				
049		347C60-2	GUIDE PLATE	2				
050		257A41-5	RING 6	1				
051		227B56-2	SPUR GEAR 9	1				
052		310678-4	CLUTCH CAM	2				
053		327D78-5	CAM SHAFT	1				
054		265D67-1	HEX SOCKET HEAD BOLT M5X20 WIT	2				
055		219036-0	SWASH BEARING 9-15	1				
056		141W51-3	HELICAL GEAR 30 COMPLETE	1				
057		234343-0	COMPRESSION SPRING 5	1				
058		346833-2	CHANGE PLATE B	1				
059		346832-4	CHANGE PLATE A	1				
060		213728-3	O-RING 68	1				
061		141W46-6	INNER HOUSING COMPLETE	1				

A:HR2670FT(H)

Interchange

O : Yes

X : No

< : the new part can be substituted for the current.

> : the current part can be substituted for the new.

S : Interchangeable as a set.

