



|    |          |
|----|----------|
| TH | THAILAND |
|----|----------|

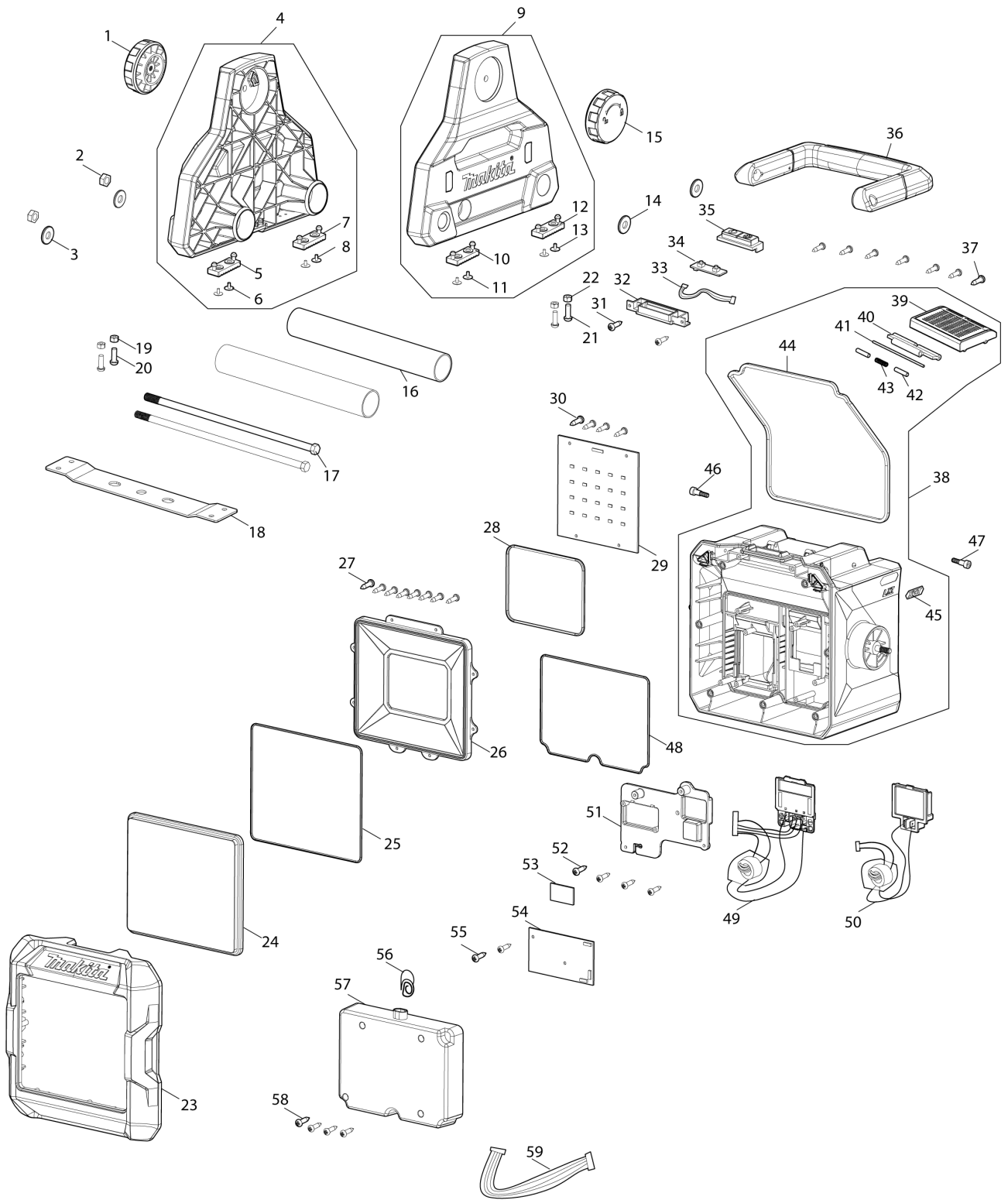
# Diagram / Parts List

**ML003G**

**CORDLESS WORKLIGHT**



(TH) ML003G / CORDLESS WORKLIGHT



|    |          |
|----|----------|
| TH | THAILAND |
|----|----------|

### ML003G / CORDLESS WORKLIGHT

| Item  | Sub | Parts No.  | Parts Description             | Qty | I/C | E/C No. | Close No. | Remark |
|-------|-----|------------|-------------------------------|-----|-----|---------|-----------|--------|
| 001   |     | GM00002160 | LATCH KNOB ASSY               | 1   |     |         |           |        |
| 002   |     | GM00002158 | NUT M8                        | 2   |     |         |           |        |
| 003   |     | GM00002157 | METAL OD20XID8.5X2MM          | 2   |     |         |           |        |
| 004   |     | GM00002308 | STAND-LEFT ASSY               | 1   |     |         |           |        |
|       | D10 |            | INC. 5-8                      |     |     |         |           |        |
| 005   |     | GM00002154 | RUBBER FOOT                   | 1   |     |         |           |        |
| 006   |     | GM00002164 | SCREW 3X6 PWB                 | 2   |     |         |           |        |
| 007   |     | GM00002154 | RUBBER FOOT                   | 1   |     |         |           |        |
| 008   |     | GM00002164 | SCREW 3X6 PWB                 | 2   |     |         |           |        |
| 009   |     | GM00002307 | STAND-RIGHT ASS'Y             | 1   |     |         |           |        |
|       | D10 |            | INC. 10-13                    |     |     |         |           |        |
| 010   |     | GM00002154 | RUBBER FOOT                   | 1   |     |         |           |        |
| 011   |     | GM00002164 | SCREW 3X6 PWB                 | 2   |     |         |           |        |
| 012   |     | GM00002154 | RUBBER FOOT                   | 1   |     |         |           |        |
| 013   |     | GM00002164 | SCREW 3X6 PWB                 | 2   |     |         |           |        |
| 014   |     | GM00002157 | METAL OD20XID8.5X2MM          | 2   |     |         |           |        |
| 015   |     | GM00002160 | LATCH KNOB ASSY               | 1   |     |         |           |        |
| 016   |     | GM00002305 | STAND HOLDING TUBE            | 2   |     |         |           |        |
| 017   |     | GM00002304 | METAL BOLT M8                 | 2   |     |         |           |        |
| 018   |     | GM00002303 | BASE HOLDING PLATE            | 1   |     |         |           |        |
| 019   |     | GM00002155 | NUT M5                        | 2   |     |         |           |        |
| 020   |     | GM00002156 | SCREW 5X15 PM                 | 2   |     |         |           |        |
| 021   |     | GM00002156 | SCREW 5X15 PM                 | 2   |     |         |           |        |
| 022   |     | GM00002155 | NUT M5                        | 2   |     |         |           |        |
| 023   |     | GM00002313 | FRONT COVER ASSY              | 1   |     |         |           |        |
| 024   |     | GM00002314 | LENS ASSY                     | 1   |     |         |           |        |
| 025   |     | GM00002315 | LENS O-RING                   | 1   |     |         |           |        |
| 026   |     | GM00002316 | REFLECTOR ASSY                | 1   |     |         |           |        |
| 027   |     | GM00001332 | SCREW 3 X 8 PB                | 8   |     |         |           |        |
| 028   |     | GM00002317 | HEAT SINK O-RING              | 1   |     |         |           |        |
| 029   |     | GM00002318 | LED PCBA ASSY                 | 1   |     |         |           |        |
| 030   |     | GM00001332 | SCREW 3 X 8 PB                | 4   |     |         |           |        |
| 031   |     | GM00002165 | SCREW 3X18 PT                 | 2   |     |         |           |        |
| 032   |     | GM00002301 | SWITCH HOLDER                 | 1   |     |         |           |        |
| 033   |     | GM00002302 | LEAD UNIT                     | 1   |     |         |           |        |
| 034   |     | GM00002140 | SWITCH PCBA ASSY              | 1   |     |         |           |        |
| 035   |     | GM00002141 | SWITCH ASSY                   | 1   |     |         |           |        |
| 036   |     | GM00002300 | HANDLE ASSY                   | 1   |     |         |           |        |
| 037   |     | GM00002165 | SCREW 3X18 PT                 | 7   |     |         |           |        |
| 038   |     | GM00002298 | MID-BODY ASSY                 | 1   |     |         |           |        |
|       | D10 |            | INC. 39-45                    |     |     |         |           |        |
| 039   |     | GM00002258 | LATCH A                       | 1   |     |         |           |        |
| 040   |     | GM00002257 | LATCH B                       | 1   |     |         |           |        |
| 041   |     | GM00002256 | SHAFT B                       | 1   |     |         |           |        |
| 042   |     | GM00002255 | SHAFT A                       | 2   |     |         |           |        |
| 043   |     | GM00002309 | SPRING                        | 1   |     |         |           |        |
| 044   |     | GM00002299 | LATCH O-RING                  | 1   |     |         |           |        |
| 045   |     | GM00002310 | XGT LABEL                     | 1   |     |         |           |        |
| 046   |     | GM00002137 | INSIDE-HEX SCREW              | 1   |     |         |           |        |
| 047   |     | GM00002137 | INSIDE-HEX SCREW              | 1   |     |         |           |        |
| 048   |     | GM00002297 | TERMINAL HOLDING PLATE O-RING | 1   |     |         |           |        |
| 049   |     | GM00002295 | XGT TERMINAL ASSY             | 1   |     |         |           |        |
| 050   |     | GM00002296 | LXT TERMINAL ASSY             | 1   |     |         |           |        |
| 051   |     | GM00002294 | TERMINAL HOLDING PLATE ASSY   | 1   |     |         |           |        |
| 052   |     | GM00002165 | SCREW 3X18 PT                 | 4   |     |         |           |        |
| 053   |     | GM00002306 | SILICONE SHEET                | 1   |     |         |           |        |
| 054   |     | GM00002292 | MAIN PCBA ASSY                | 1   |     |         | Y09016    |        |
| 054-1 |     | GM00002489 | MAIN PCBA ASSY                | 1   | <   | Y09016  |           |        |
| 055   |     | GM00001332 | SCREW 3 X 8 PB                | 2   |     |         |           |        |
| 056   |     | GM00002320 | EVA                           | 1   |     |         |           |        |
| 057   |     | GM00002319 | POWER CASE                    | 1   |     |         |           |        |
| 058   |     | GM00002165 | SCREW 3X18 PT                 | 4   |     |         |           |        |
| 059   |     | GM00002293 | HOUSING CONNECTOR             | 1   |     |         |           |        |
| A01   |     | GM00002312 | ANTI-GLARE FILM               | 1   |     |         | Y08717    |        |
| A02   |     | GM00002073 | TRIPOD                        | 1   |     |         | Y08717    |        |

A:

Interchange  
O : Yes  
X : No  
< : the new part can be substituted for the current.  
> : the current part can be substituted for the new.  
S : Interchangeable as a set.

