



TH	THAILAND
----	----------

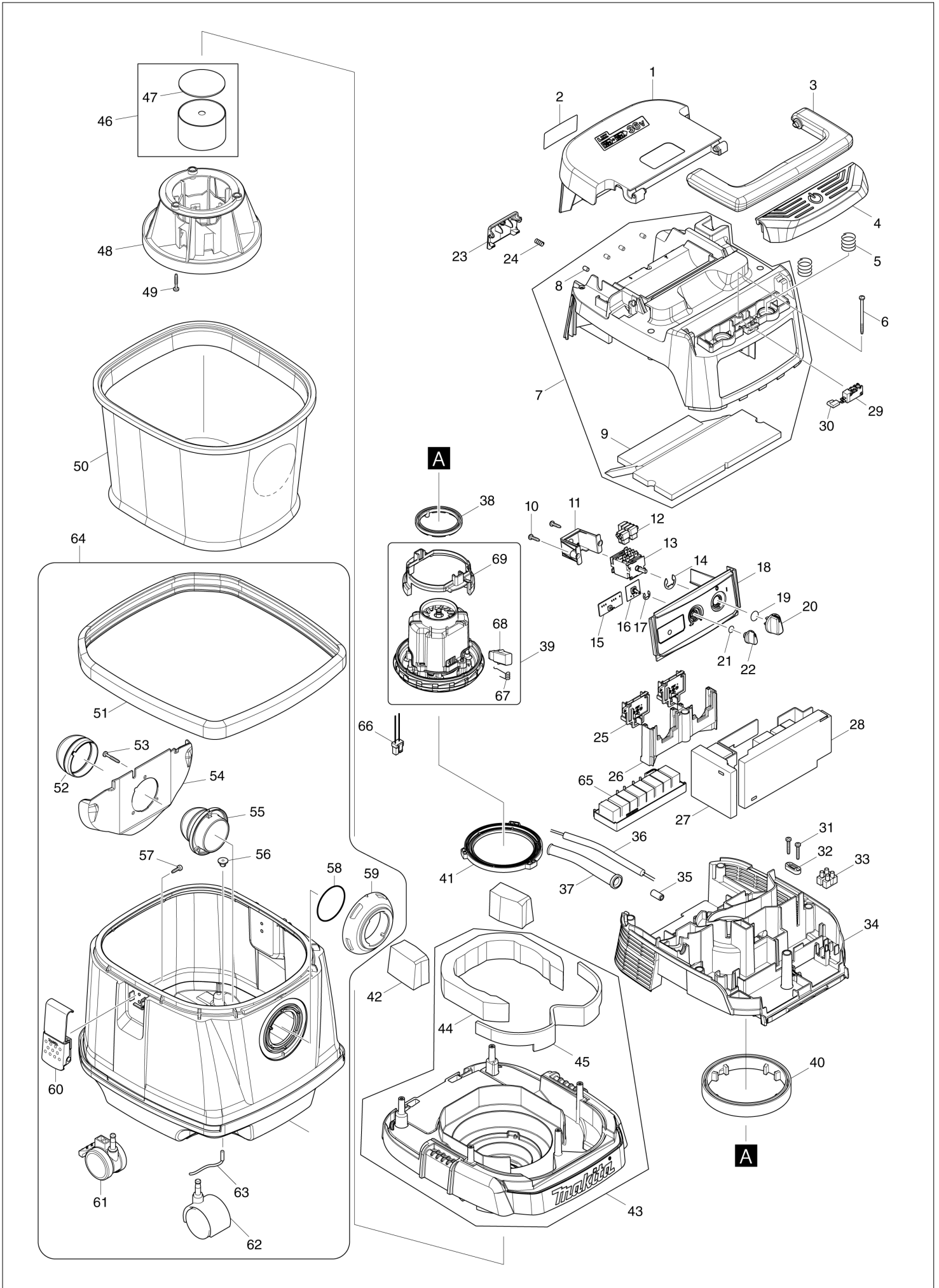
# Diagram / Parts List

**DVC150L**

**CORDED&CORDLESS VACUUM CLEANER**



(TH) DVC150L / CORDED&CORDLESS VACUUM CLEANER



TH	THAILAND
----	----------

### DVC150L / CORDED/CORDLESS VACUUM CLEANER

Item	Sub	Parts No.	Parts Description	Qty	I/C	E/C No.	Close No.	Remark
001		143174-5	BATTERY COVER COMPLETE	1				
	C10	891977-8	CAUTION LABEL	1				
002		855W31-0	DVC150L NAME PLATE	1				
003		455734-4	GRIP	1				
004		459262-1	SWITCH BUTTON	1				
005		234273-5	COMPRESSION SPRING 20	2				
006		266340-8	TAPPING SCREW 4X65	6				
007		143173-7	COWLING COMPLETE	1				
	D10		INC. 8,9					
008		263005-3	RUBBER PIN 6	4				
009		424688-6	TOP DAMPER	1				
010		266326-2	TAPPING SCREW 4X18	2				
011		451343-7	SWITCH HOLDER	1				
012		686023-8	RECEPTACLE SLEEVE	6				
013		650745-6	SWITCH	1				
014		961062-2	STOP RING E-12	1				
015		620394-3	LED CIRCUIT	1				
016		631922-9	SUB CONTROLLER	1				
017		961013-5	STOP RING E-7	1				
018		143176-1	SWITCH BASE COMPLETE	1				
	C10	806G39-1	INDICATION LABEL	1				
019		213176-6	O RING 14	1				
020		455733-6	SWITCH LEVER	1				
021		213054-0	O RING 9	1				
022		451344-5	SWITCH DIAL	1				
023		455728-9	BATTERY COVER HOOK	1				
024		231240-1	COMPRESSION SPRING 7	1				
025		644808-8	TERMINAL	2				
026		455729-7	TERMINAL BASE	1				
027		620406-2	CONTROLLER B	1				
028		620392-7	CONTROLLER A	1				
029		651910-0	SWITCH D2VW-01-3HS	1				
030		686039-3	RECEPTACLE SLEEVE	2				
031		266374-1	TAPPING SCREW 4X25	2				
032		687123-7	STRAIN RELIEF	1				
033		654561-8	TERMINAL BLOCK	1				
034		455726-3	SEPARATER	1				
036		666899-9	POWER SUPPLY CORD 1.0-2-0.55	1				
037		682584-6	CORD GUARD	1				
038		424685-2	RUBBER RING 60	1				
039		629156-6	MOTOR ASSEMBLY	1				
	D10		INC. 67-69					
040		424686-0	RUBBER RING 120	1				
041		424687-8	SUPPORT RING	1				
042		424690-9	REAR BLOCK FILTER	2				
043		143175-3	TANK COVER COMPLETE	1				
	D10		INC. 44,45					
044		424691-7	BAND DAMPER	1				
045		424689-4	FRONT DAMPER	1				
046		158166-1	FLOAT COMPLETE	1				
	D10		INC. 47					
047		423365-7	SPONGE SEAL 70	1				
048		419725-9	FLOAT CAGE	1				
049		266374-1	TAPPING SCREW 4X25	3				
050		140248-3	CLOTH FILTER COMPLETE	1				
051		422148-2	BUMPER	1				
052		424382-0	RUBBER HOLDER	1				
053		266257-5	TAPPING SCREW 4X28	3				
054		419351-4	HOLDER PLATE	1				
055		419350-6	HOLDER	1				
056		421468-1	CORD SEAL	1				
057		266192-7	TAPPING SCREW 4X14	4				
058		213655-4	O RING 56	1				
059		451348-7	INLET	1				
060		168537-4	HOOK	2				

A:DVC150LZ(H)

Interchange  
 O : Yes  
 X : No  
 < : the new part can be substituted for the current.  
 > : the current part can be substituted for the new.  
 S : Interchangeable as a set.

