



| | |
|----|----------|
| TH | THAILAND |
|----|----------|

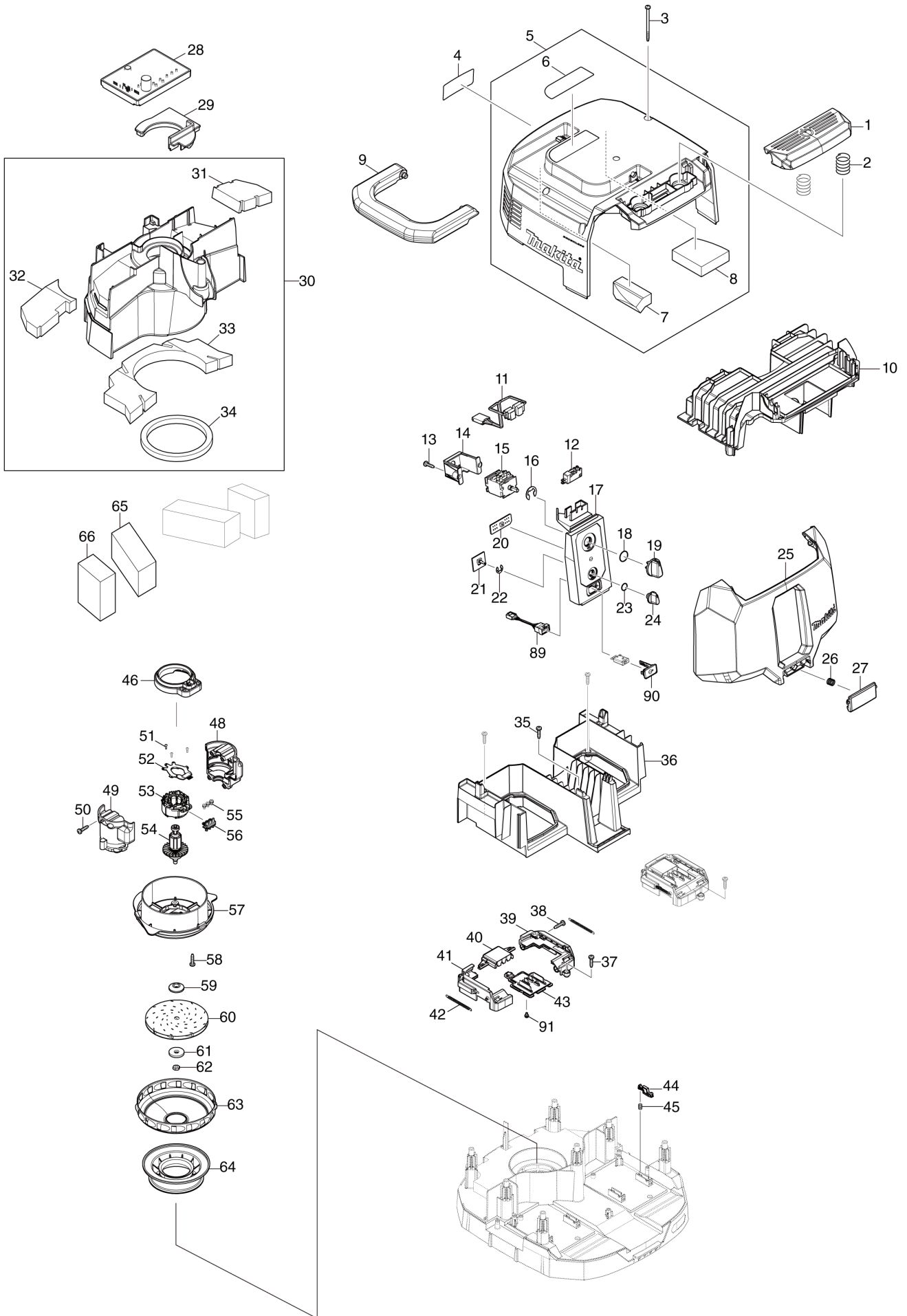
Diagram / Parts List

VC002GL

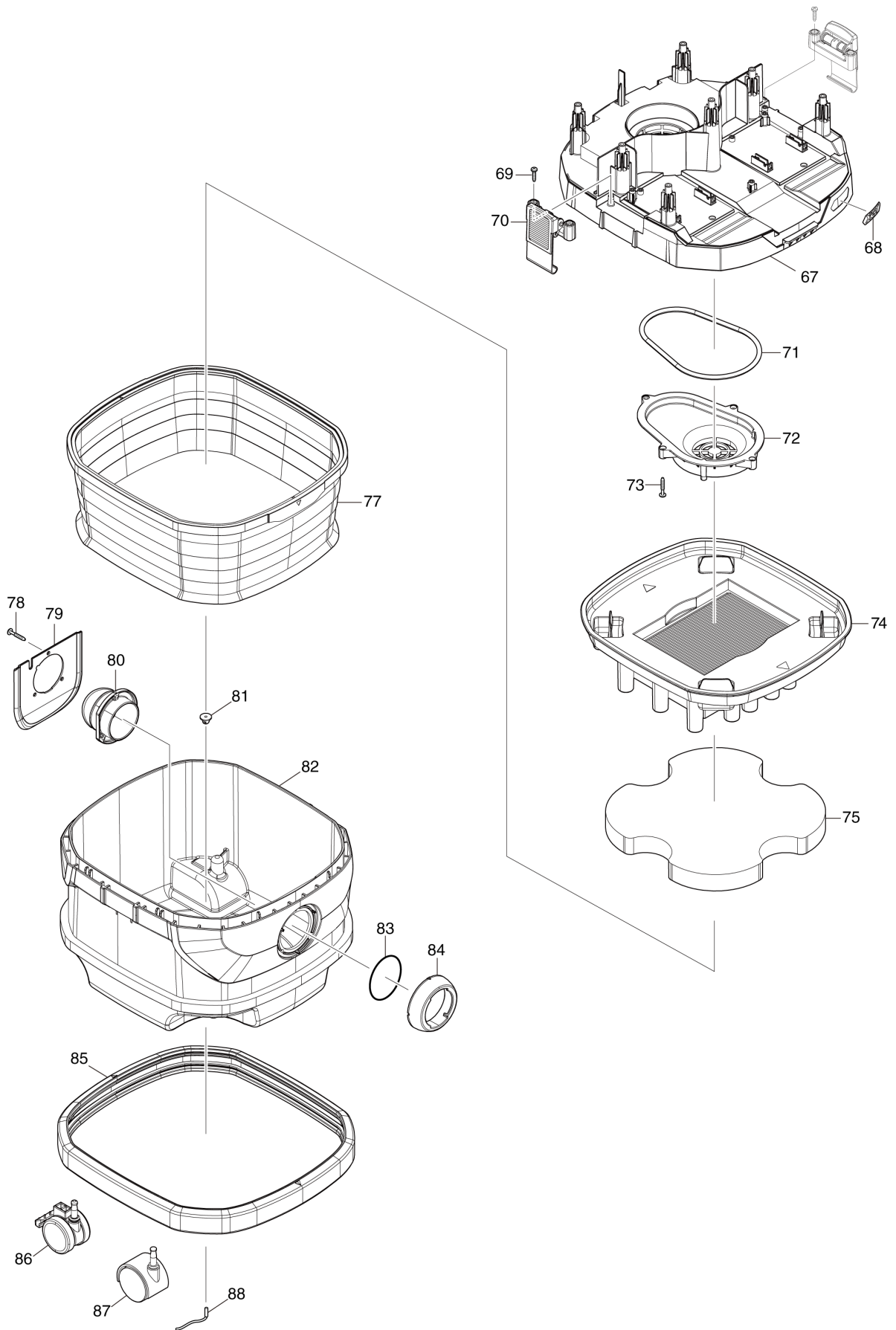
CORDLESS VACUUM CLEANER



(TH) VC002GL / CORDLESS VACUUM CLEANER



(TH) VC002GL / CORDLESS VACUUM CLEANER



| | |
|----|----------|
| TH | THAILAND |
|----|----------|

VC002GL / CORDLESS VACUUM CLEANER

| Item | Sub | Parts No. | Parts Description | Qty | I/C | E/C No. | Close No. | Remark |
|------|-----|-----------|-----------------------|-----|-----|---------|-----------|--------|
| 001 | | 413B26-9 | SWITCH BUTTON | 1 | | | | |
| 002 | | 234273-5 | COMPRESSION SPRING 20 | 2 | | | | |
| 003 | | 266340-8 | TAPPING SCREW 4X65 | 7 | | | | |
| 004 | | 8112J8-9 | VC002GL NAME PLATE | 1 | | | | |
| 005 | | 141F80-4 | COWLING COMPLETE | 1 | | | | |
| | D10 | | INC. 6-8 | | | | | |
| 006 | | 813A18-6 | CAUTION LABEL | 1 | | | | |
| 007 | | 422796-7 | TOP DAMPER A | 1 | | | | |
| 008 | | 422797-5 | TOP DAMPER B | 1 | | | | |
| 009 | | 413B27-7 | GRIP | 1 | | | | |
| 010 | | 413B33-2 | UPPER HOUSING | 1 | | | | |
| 011 | | 638A19-1 | LEAD UNIT | 1 | | | | |
| 012 | | 651910-0 | SWITCH D2VW-01-3HS | 1 | | | | |
| 013 | | 266326-2 | TAPPING SCREW 4X18 | 2 | | | | |
| 014 | | 451343-7 | SWITCH HOLDER | 1 | | | | |
| 015 | | 650014-5 | SWITCH 1703.4803 | 1 | | | | |
| 016 | | 961062-2 | STOP RING E-12 | 1 | | | | |
| 017 | | 141F76-5 | SWITCH BASE COMPLETE | 1 | | | | |
| | C10 | 8040N0-8 | INDICATION LABEL | 1 | | | | |
| 018 | | 213176-6 | O RING 14 | 1 | | | | |
| 019 | | 455733-6 | SWITCH LEVER | 1 | | | | |
| 020 | | 620F40-4 | INDICATION CIRCUIT | 1 | | | | |
| 021 | | 620D39-7 | SUB CONTROLLER | 1 | | | | |
| 022 | | 961013-5 | STOP RING E-7 | 1 | | | | |
| 023 | | 213054-0 | O RING 9 | 1 | | | | |
| 024 | | 451344-5 | SWITCH DIAL | 1 | | | | |
| 025 | | 413B29-3 | BATTERY COVER | 1 | | | | |
| 026 | | 231456-8 | COMPRESSION SPRING 7 | 1 | | | | |
| 027 | | 413B30-8 | BATTERY COVER HOOK | 1 | | | | |
| 028 | | 620F38-1 | CONTROLLER | 1 | | | | |
| 029 | | 422795-9 | RUBBER CAP | 1 | | | | |
| 030 | | 141F84-6 | SEPARATOR COMPLETE | 1 | | | | |
| | D10 | | INC. 31-34 | | | | | |
| 031 | | 422802-8 | BAND DUMPER E | 1 | | | | |
| 032 | | 422801-0 | BAND DUMPER D | 1 | | | | |
| 033 | | 422799-1 | BAND DUMPER B | 1 | | | | |
| 034 | | 422804-4 | SEAL A | 1 | | | | |
| 035 | | 266326-2 | TAPPING SCREW 4X18 | 3 | | | | |
| 036 | | 413B31-6 | LOWER HOUSING | 1 | | | | |
| 037 | | 266326-2 | TAPPING SCREW 4X18 | 4 | | | | |
| 038 | | 266326-2 | TAPPING SCREW 4X18 | 4 | | | | |
| 039 | | 183U06-0 | TERMINAL CASE SET | 2 | | | | |
| | D10 | | INC. 41 | | | | | |
| 040 | | 413B40-5 | TERMINAL COVER | 2 | | | | |
| 041 | | 183U06-0 | TERMINAL CASE SET | 2 | | | | |
| | D10 | | INC. 39 | | | | | |
| 042 | | 232722-6 | TENSION SPRING 4 | 4 | | | | |
| 043 | | 632T08-2 | TERMINAL UNIT | 2 | | | | |
| 044 | | 413B41-3 | LOCK LEVER | 4 | | | | |
| 045 | | 232472-3 | COMPRESSION SPRING 2 | 4 | | | | |
| 046 | | 422794-1 | RUBBER RING | 1 | | | | |
| 048 | | 183U05-2 | MOTOR HOUSING SET | 1 | | | | |
| | D10 | | INC. 49 | | | | | |
| 049 | | 183U05-2 | MOTOR HOUSING SET | 1 | | | | |
| | D10 | | INC. 48 | | | | | |
| 050 | | 266326-2 | TAPPING SCREW 4X18 | 4 | | | | |
| 051 | | 266490-9 | TAPPING SCREW PT 2X6 | 3 | | | | |
| 052 | | 620F39-9 | CONTROLLER B | 1 | | | | |
| 053 | | 629A83-3 | STATOR | 1 | | | | |
| 054 | | 619704-9 | ROTOR | 1 | | | | |
| 055 | | 652069-6 | FLAT HEAD SCREW M3X6 | 3 | | | | |
| 056 | | 632S88-2 | LEAD UNIT | 1 | | | | |
| 057 | | 413B45-5 | FAN BASE | 1 | | | | |
| 058 | | 266326-2 | TAPPING SCREW 4X18 | 3 | | | | |
| 059 | | 313062-2 | FLANGE | 1 | | | | |

A:VC002GLZ01(N)

Interchange
 O : Yes
 X : No
 < : the new part can be substituted for the current.
 > : the current part can be substituted for the new.
 S : Interchangeable as a set.

| | |
|----|----------|
| TH | THAILAND |
|----|----------|

VC002GL / CORDLESS VACUUM CLEANER

| Item | Sub | Parts No. | Parts Description | Qty | I/C | E/C No. | Close No. | Remark |
|-------|-----|-----------|--------------------------|-----|-----|---------|-----------|--------|
| 060 | | 240178-9 | FAN 104 | 1 | | | | |
| 061 | | 253752-4 | FLAT WASHER 8 | 1 | | | | |
| 062 | | 252268-6 | HEX. NUT M6 | 1 | | | | |
| 063 | | 347171-5 | FAN COVER | 1 | | | | |
| 064 | | 422793-3 | SUPPORT RING | 1 | | | | |
| 065 | | 422803-6 | REAR BLOCK FILTER A | 2 | | | | |
| 066 | | 422819-1 | REAR BLOCK FILTER B | 2 | | | | |
| 067 | | 141F83-8 | TANK COVER COMPLETE | 1 | | | | |
| | C10 | 422798-3 | BAND DUMPER A | 1 | | | | |
| 068 | | 8030S0-0 | XGT LOGO LABEL | 1 | | | | |
| 069 | | 266326-2 | TAPPING SCREW 4X18 | 4 | | | | |
| 070 | | 162A10-2 | HOOK COMPLETE | 2 | | | | |
| 071 | | 422805-2 | SEAL RING | 1 | | | | |
| 072 | | 413B22-7 | LOWER TANK COVER | 1 | | | | |
| 073 | | 266374-1 | TAPPING SCREW 4X25 | 4 | | | | |
| 074 | | 191V70-3 | POWDER FILTER H SET | 1 | | | | |
| 075 | | 191V68-0 | DAMPER SET | 1 | | | | |
| 077 | | 191V69-8 | PRE FILTER SET | 1 | | | | |
| 078 | | 266374-1 | TAPPING SCREW 4X25 | 3 | | | | |
| 079 | | 457853-2 | HOLDER PLATE | 1 | | | | |
| 080 | | 457852-4 | HOLDER | 1 | | | | |
| 081 | | 421468-1 | CORD SEAL | 1 | | | | |
| 082 | | 457854-0 | TANK | 1 | | | | |
| 083 | | 213655-4 | O RING 56 | 1 | | | | |
| 084 | | 457851-6 | INLET | 1 | | | | |
| 085 | | 422176-7 | BUMPER | 1 | | | | |
| 086 | | 168535-8 | CASTER 50 | 2 | | | | |
| 087 | | 168434-4 | CASTER 50 | 2 | | | | |
| 088 | | 649150-2 | EARTH LINE 120 | 1 | | | | |
| 089 | | 632L47-4 | CONNECTOR UNIT | 1 | | | | |
| 090 | | 140G18-2 | CAP COMPLETE | 1 | | | | |
| | C10 | 213A05-9 | O-RING16 | 1 | | | | |
| | C20 | 818F57-1 | CAP LABEL | 1 | | | | |
| 091 | | 652031-1 | PAN HEAD SCREW M3X6 | 4 | | | | |
| A01 | | 199455-5 | NOZZLE ASSEMBLY SET | 1 | | | | |
| A02 | | 195433-3 | HOSE COMPLETE 28-3.5 SET | 1 | | | | |
| | C10 | 417191-4 | CUFF LOCK | 1 | | | | |
| | C20 | 417586-1 | STOPPER | 1 | | | | |
| | C30 | 417662-1 | SLEEVE | 1 | | | | |
| | C40 | 417766-9 | FRONT CUFF 38 | 1 | | | | |
| | C50 | 417765-1 | FRONT CUFF 22 | 1 | | | | |
| | C60 | 424379-9 | FRONT CUFF 24 | 1 | | | | |
| A03 | | 195434-1 | HOSE COMPLETE 38-2.5 SET | 1 | | | | |
| | C10 | 417191-4 | CUFF LOCK | 1 | | | | |
| | C20 | 417306-3 | SLEEVE | 2 | | | | |
| | C30 | 417307-1 | FRONT CUFF | 1 | | | | |
| | C40 | 417586-1 | STOPPER | 2 | | | | |
| A04 | | 195432-5 | POLY BAG SET(650X650) | 1 | | | | |
| A05 | | 199393-1 | WIRELESS UNIT SET | 1 | | | DB384 | |
| A05-1 | | 199393-1 | WIRELESS UNIT SET | 1 | < | DB384 | DU576 | |
| A05-2 | | 199393-1 | WIRELESS UNIT SET | 1 | < | DU576 | | |
| A06 | | 192563-1 | STRAIGHT PIPE SET 565-38 | 1 | | | | |
| A07 | | 192562-3 | BENDING PIPE | 1 | | | | |
| A08 | | 410306-2 | CORNER NOZZLE | 1 | | | | |
| A09 | | 413B37-4 | MULTI HOOK | 1 | | | | |
| A10 | | 451350-0 | STOPPER | 1 | | | | |
| A11 | | 911138-5 | P.H.SCREW M4X20 WITH WR | 1 | | | | |
| A12 | | 195547-8 | FRONT CUFF 22 SET | 1 | | | | |
| A13 | | 195546-0 | FRONT CUFF 24 SET | 1 | | | | |
| F15 | | 191E30-3 | FLEXIBLE HOSE SET(LOCK) | 1 | | | | |
| F17 | | 191G87-6 | NOZZLE ASSEMBLY SET | 1 | | | | |
| F18 | | 191G89-2 | TELESCOPIC PIPE SET | 1 | | | | |
| F19 | | 191M77-5 | JOINT A 32 SET | 1 | | | | |
| F20 | | 191M78-3 | JOINT B 35 SET | 1 | | | | |
| F21 | | 191M79-1 | JOINT C 38 SET | 1 | | | | |

A:VC002GLZ01(N)

Interchange

O : Yes

X : No

< : the new part can be substituted for the current.

> : the current part can be substituted for the new.

S : Interchangeable as a set.

