

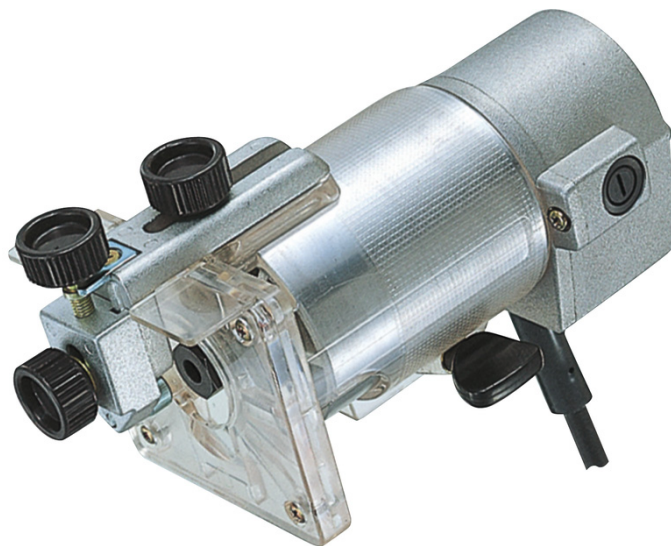


TH	THAILAND
----	----------

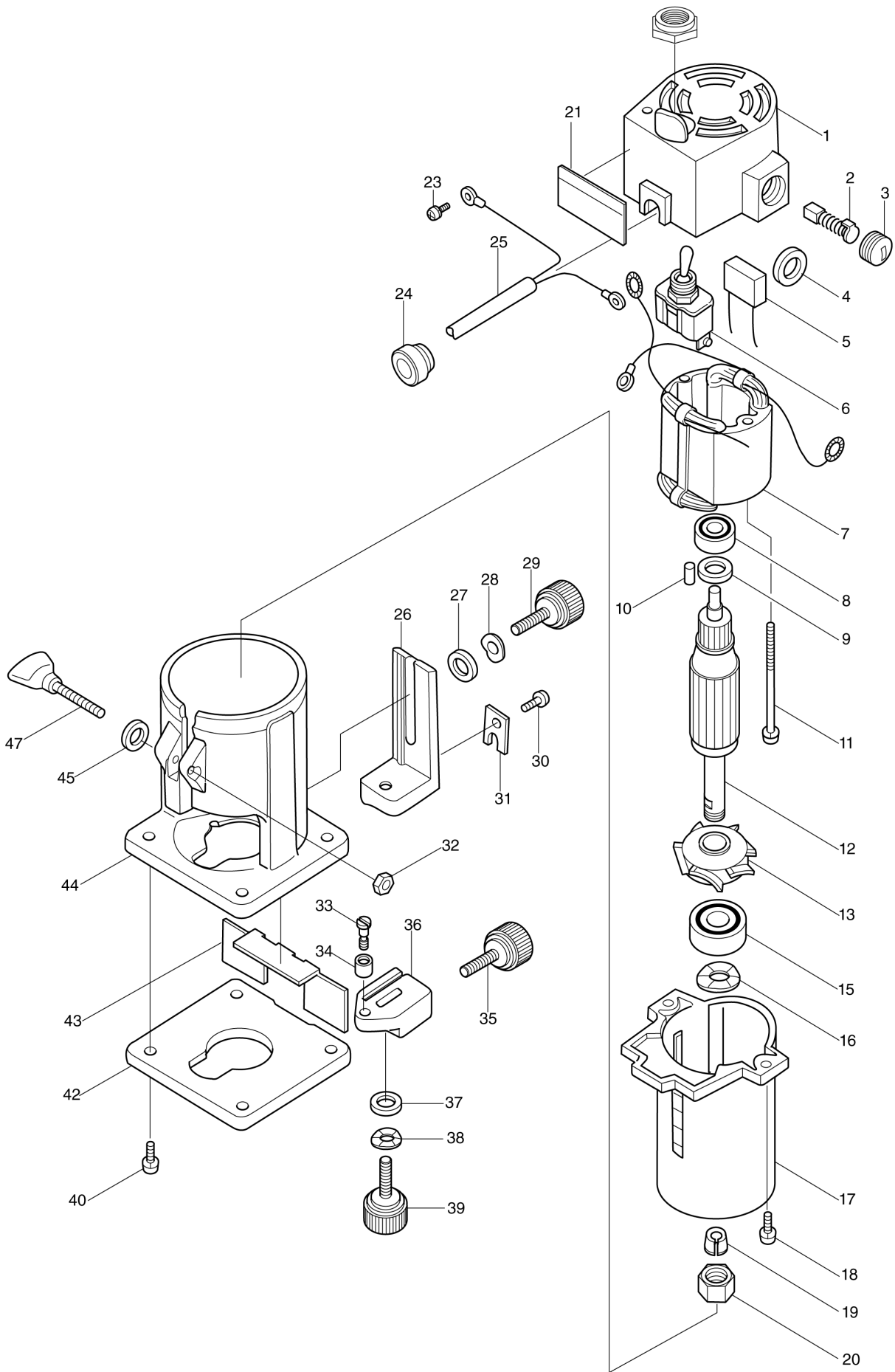
Diagram / Parts List

N3701

TRIMMER 6MM



(TH) N3701 / TRIMMER 6MM



TH	THAILAND
----	----------

N3701 / TRIMMER 6MM

Item	Sub	Parts No.	Parts Description	Qty	I/C	E/C No.	Close No.	Remark
001		159325-0	MOTOR REAR HOUSING	1			64977A	
	C10	643556-6	BRUSH HOLDER 5-8	2			64977A	
	C20	913206-0	SET SCREW M5X8	2			64977A	
	D10		INC. 10				64977A	
001-1		153360-0	MOTOR REAR HOUSING COMPLETE	1	S	64977A	78674	
	C10	643556-6	BRUSH HOLDER 5-8	2		64977A	78674	
	C20	913206-0	SET SCREW M5X8	2		64977A	78674	
	D10		INC. 10			64977A	78674	
001-2		151759-3	MOTOR REAR HOUSING COMPLETE	1	S	78674		
	C10	643556-6	BRUSH HOLDER 5-8	2		78674		
	C20	913206-0	SET SCREW M5X8	2		78674		
	D10		INC. 10			78674		
002B		181021-2	CARBON BRUSH CB-51	1			85070	
002B1		B-80232	CARBON BRUSH SET CB-51A	1	<	85070		
003		643550-8	BRUSH HOLDER CAP 5-8	2				
004		681000-5	INSULATION WASHER	2				
006		651403-7	SWITCH ST115A-31	1			85338	
006-1		651433-8	SWITCH ST115A-31	1	<	85338	DB412	
006-2		651433-8	SWITCH ST115A-31	1	O	DB412		
007C		593163-4	FIELD ASS'Y 220V	1				
	C10	654018-9	RING TERMINAL	1				
	C20	654501-6	CONNECTOR P-1.25	1				
008		211028-5	BALL BEARING 627LB	1				
009		253133-2	FLAT WASHER 7	1				
010		263002-9	RUBBER PIN 4	1				
011-1		911581-8	PAN HEAD SCREW M4X55	2				
012C		511933-9	ARMATURE ASS'Y 220V	1				
	D10		INC. 8,9,13,15					
013		241615-6	FAN 52	1				
013-1		241516-8	FAN 52	1	X	55198A		
013-2		241615-6	FAN 52	1	X	56982		
015		211227-9	BALL BEARING 6002DDW	1				
015-1		211236-8	BALL BEARING 6002DDW	1	O	63024		
016		253905-5	WAVE WASHER 23	1				
017-1		316321-3	MOTOR HOUSING	1	O	46970	64977A	
017-2		317244-8	MOTOR HOUSING	1	S	64977A		
018		911116-5	PAN HEAD SCREW M4X12	2				
019A		763608-8	COLLET CONE 1/4"	1			67388	
019A1		763608-8	COLLET CONE 1/4"	1	O	67388		
020		763606-2	COLLET NUT 6	1				
021		854534-3	NAME PLATE N3701	1				
023		652014-1	PAN HEAD SCREW M4X8	1				
024A		687008-7	STRAIN RELIEF	1			78674	
024A1		687105-9	STRAIN RELIEF	1	S	78674		
025B1		691134-6	POWER SUPPLY CORD 0.75-3-2.5	1				
026		312396-0	GUIDE HOLDER	1			76721	
026-1		317788-8	GUIDE HOLDER	1	O	76721		
027		941151-9	FLAT WASHER 6	1				
028		253903-9	WAVE WASHER 6	1			76721	
029		251815-0	SCREW M6X25	1			76721	
029-1		265763-7	THUMB SCREW M6X25	1	O	76721		
030		912116-8	COUNTERSUNK HEAD SCREW M4X12	1			76721	
030-1		265135-6	+ COUNTERSUNK HEAD SCREW M4X12	1	O	76721		
031		341136-9	HOOK	1				
032		931202-6	HEX. NUT M5	1				
032-1		252156-7	HEX. NUT M5-8	1		54555		
033		251420-3	- FLAT HEAD SCREW M5	1			76634	
033-1		251471-6	- FLAT HEAD SCREW M5	1	O	76634		
034		323495-3	ROLLER 11	1			76721	
034-1		324378-0	ROLLER 11	1	O	76721		
035		251819-2	SCREW M6	1			76721	
035-1		265764-5	THUMB SCREW M6	1	O	76721		
036		312650-2	TRIMMER GUIDE	1			76721	
036-1		317789-6	TRIMMER GUIDE	1	O	76721		
037		941151-9	FLAT WASHER 6	1				

A:N3701(H)

Interchange
O : Yes
X : No
< : the new part can be substituted for the current.
> : the current part can be substituted for the new.
S : Interchangeable as a set.

