



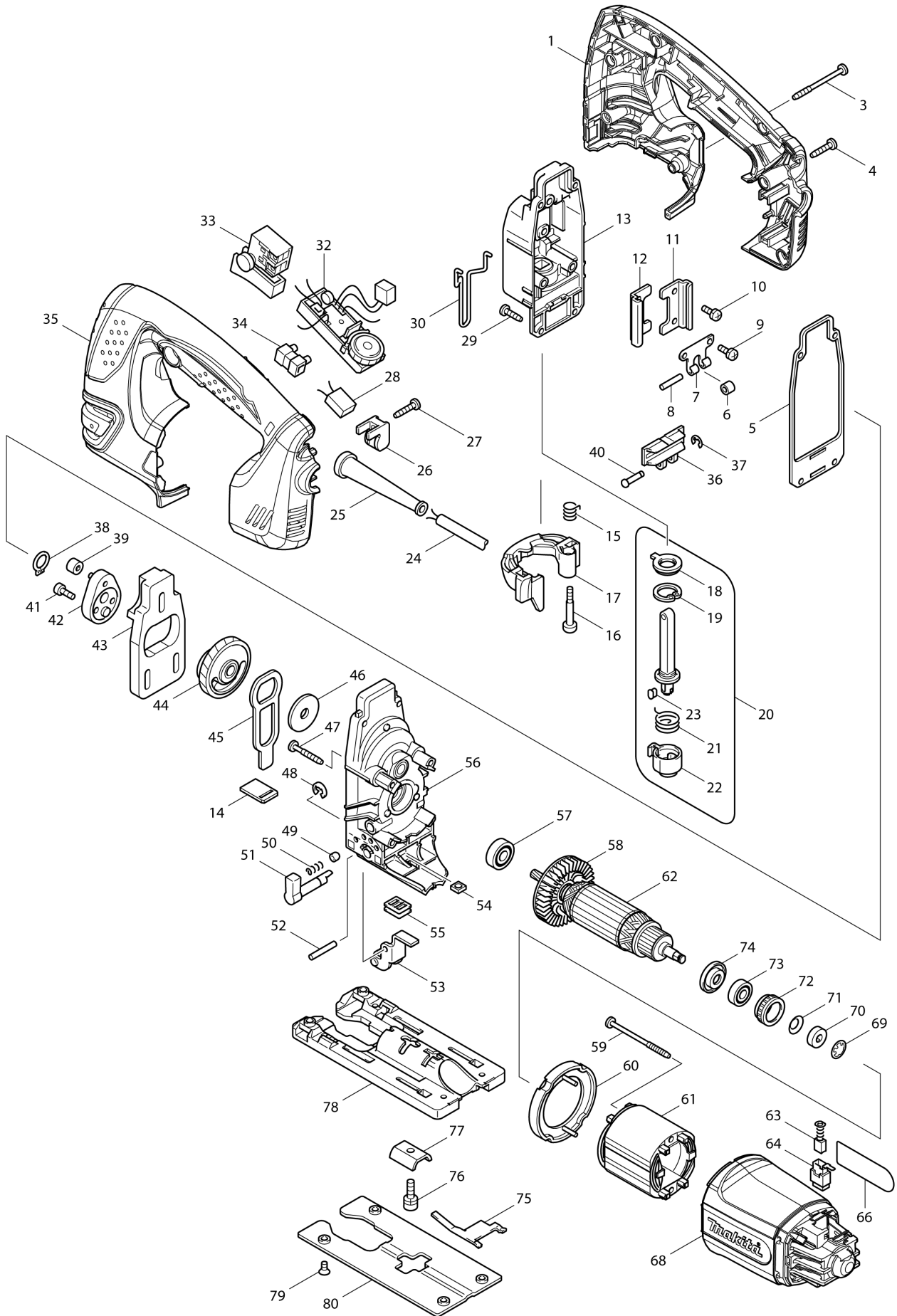
TH	THAILAND
----	----------

Diagram / Parts List

4350CT

JIG SAW





TH	THAILAND
----	----------

4350CT / JIG SAW

Item	Sub	Parts No.	Parts Description	Qty	I/C	E/C No.	Close No.	Remark
001		188286-7	HANDLE SET	1				
	D10		INC. 35					
002		265995-6	TAPPING SCREW 4X18	1				
003		266091-3	TAPPING SCREW 4X50	1				
004		265995-6	TAPPING SCREW 4X18	5				
005		442138-9	PACKING	1				
006		214031-5	PLANE BEARING 4	1				
007		232207-2	LEAF SPRING	1				
008		256117-9	PIN 4	1				
009		911111-5	PAN HEAD SCREW M4X10 WITH W	2				
010		911111-5	PAN HEAD SCREW M4X10 WITH W	2				
011		345240-6	LINEAR GUIDE	1				
012		345240-6	LINEAR GUIDE	1				
013		153338-3	GEAR HOUSING COVER COMPLETE	1				
	C10	253313-0	THIN WASHER 14	1				
	C20	257250-0	RING 20	1				
	C30	421815-6	DUST SEAL 8	1				
014		417839-8	SEAL PLATE	1				
015		231659-4	TORSION SPRING 6	1				
016		265026-1	+ PAN HEAD SCREW M4	1				
017		419820-5	TOOL OPENER	1				
018		421817-2	DUST COVER	1				
019		962068-3	RETAINING RING R-18	1				
020		135060-4	ROD ASS'Y	1				
	C10	165326-8	ROD	1				
	D10		INC. 18,19,21-23					
021		231660-9	TORSION SPRING 15	1				
022		310136-0	BLADE HOLDER	1				
023		310135-2	PUSH PIN	1				
024		666066-6	POWER SUPPLY CORD 1.0-2-2.5	1			DS354	
024-1		660465-4	POWER SUPPLY CORD 1.0-2-2.5	1	<	DS354		
025		682559-5	CORD GUARD 8	1				
026		687260-7	STRAIN RELIEF	1				
027		265995-6	TAPPING SCREW 4X18	1				
029		266034-5	TAPPING SCREW CT 4X16	4				
030		324233-6	SAFETY WIRE	1				
032		631768-3	CONTROLLER	1				
033		650202-4	SWITCH SGEL115CDY-8	1				
035		188286-7	HANDLE SET	1				
	D10		INC. 1					
036		310134-4	SLIDER	1				
037		961017-7	STOP RING E-3	1				
038		961004-6	RETAINING RING (EXT) S-8	1				
039		212014-9	NEEDLE BEARING 407	1			A3527	
039-1		212092-9	NEEDLE BEARING 407	1	O	A3527		
040		268090-1	PIN 4	1				
041		265353-6	HEX. SOCKET HEAD BOLT M4X12	2			DR366	
041-1		265D42-7	HEX. SOCKET HEAD BOLT M4X12	2	O	DR366		
042		153336-7	CRANK COMPLETE	1				
043		313108-4	BALANCE PLATE	1				
044		153335-9	GEAR COMPLETE	1				
	C10	212043-2	NEEDLE BEARING 810	2				
045		345235-9	PUSH PLATE	1				
046		253877-4	FLAT WASHER 8	1				
047		266050-7	TAPPING SCREW 4X30	4				
048		961018-5	STOP RING E-5	1				
049		286032-3	CAP 5	1				
050		233139-6	COMPRESSION SPRING 3	1				
051		272244-4	LEVER 17	1			A2266	
051-1		272280-0	LEVER 17	1	<	A2266		
052		268063-4	PIN 4	1				
053		153334-1	RETAINER COMPLETE	1				
054		252171-1	SQUARE NUT M5-8	1				
055		421816-4	DUST SEAL	1				
056		153337-5	GEAR HOUSING COMPLETE	1				

A:4350CT(H)

Interchange
O : Yes
X : No
< : the new part can be substituted for the current.
> : the current part can be substituted for the new.
S : Interchangeable as a set.

TH	THAILAND
-----------	-----------------

4350CT / JIG SAW

Item	Sub	Parts No.	Parts Description	Qty	I/C	E/C No.	Close No.	Remark
057		210005-4	BALL BEARING 608DDW	1				
058		241881-5	FAN 52	1				
059		266052-3	TAPPING SCREW 4X60	2				
060		417838-0	BAFFLE PLATE	1				
061		593508-6	FIELD ASS'Y 220-240V	1				
	C10	654069-2	RECEPTACLE	2				
062		517398-3	ARMATURE ASS'Y 220-240V	1				
	D10		INC. 57,58,73,74					
063		A-81284	CARBON BRUSH CB-419A	1			83185	
063-1		B-80086	CARBON BRUSH SET CB-419A	1	O	83185	85070	
063-2		B-80422	CARBON BRUSH SET CB-419A	1	<	85070		
064		643936-6	BRUSH HOLDER	2				
066		863664-9	4350CT NAME PLATE	1				
068		419886-5	MOTOR HOUSING	1				
069		259039-2	SELF LOCK 6	1				
070		688117-5	MAGNET SLEEVE	1				
071		267756-0	WAVE WASHER 6	1				
072		421494-0	RUBBER RING 19	1				
073		211021-9	BALL BEARING 607LLB	1				
074		681636-0	INSULATION WASHER	1				
075		232208-0	LEAF SPRING	1				
076		922226-3	HEX. SOCKET HEAD BOLT M5X18	1				
077		345237-5	CRANK PLATE	1				
078		317565-8	BASE	1				
079		912107-9	COUNTERSUNK HEAD SCREW M4X8	4				
080		345238-3	BASE PLATE	1				
A01		415524-7	ANTI-SPLINTERING DEVICE	1				
A02		417852-6	COVER PLATE	1				
A03		792522-1	JIG SAW BLADE B-22	1			010 96	
A03-1		A-85737	JIGSAW BLADE NO.B22	1	<	010 96		AEPD-010/96
A04		792538-6	JIG SAW BLADE B-10	1			010 96	
A04-1		A-85628	JIGSAW BLADE NO.B10	1	<	010 96		AEPD-010/96
A05		A-02294	JIG SAW BLADE BR-13	1			010 96	
A05-1		A-85793	JIGSAW BLADE NO.BR13	1	<	010 96		AEPD-010/96
A06		783202-0	HEX. WRENCH 4	1				
A07		824809-4	PLASTIC CARRYING CASE	1				
F01		192516-0	GUIDE RAIL	1				
F02		192557-6	ANTI-SPLITTING DEVICE	1				
F04		193516-3	GUIDE RULE SET	1				
	C10	165217-3	GUIDE RULE	1				
	C20	271601-3	KNOB 20	1				
	C30	323802-0	GUIDE PIN	1				
	C40	922207-7	HEX. SOCKET HEAD BOLT M5X10	1				
F05-1		193517-1	GUIDE RAIL ADAPTER SET	1	O	C0660		
	C11	265785-7	THUMB SCREW M5X10	1	<	C0660		
	C20	347393-7	RULE BAR	1		C0660		
	C30	417894-0	GUIDE RAIL ADAPTER	1		C0660		
F06		194416-0	SHEET 10000 SET	1		DP447		
F07		194417-8	RUBBER SHEET 10000 SET	1		DP447		
F08		194418-6	POSITION SHEET 1400 SET	1		DP447		
F10		194367-7	GUIDE RAIL 3000 SET	1		80364		
	C10	413102-7	SEAT 3000	2		80364		
	C20	423360-7	POSITION SHEET 3000	1		80364		
	C30	423362-3	RUBBER SEAT 3000	2		80364		
	C40	819212-2	MAKITA LOGO LABEL	1		80364		
F11		194368-5	GUIDE RAIL 1400 SET	1		80364		
	C10	413101-9	SEAT 1400	2		80364		
	C20	423359-2	POSITION SHEET 1400	1		80364		
	C30	423361-5	RUBBER SEAT 1400	2		80364		
	C40	819212-2	MAKITA LOGO LABEL	1		80364		
F12		194925-9	GUIDE RAIL 1900 SET	1		84298		
	C10	423386-9	POSITION SHEET 1900	1		84298		
	C20	423390-8	RUBBER SHEET 1900	2		84298		
	C30	451330-6	SHEET 1900	2		84298		
	C40	819212-2	MAKITA LOGO LABEL	1		84298		

A:4350CT(H)

Interchange
 O : Yes
 X : No
 < : the new part can be substituted for the current.
 > : the current part can be substituted for the new.
 S : Interchangeable as a set.

