



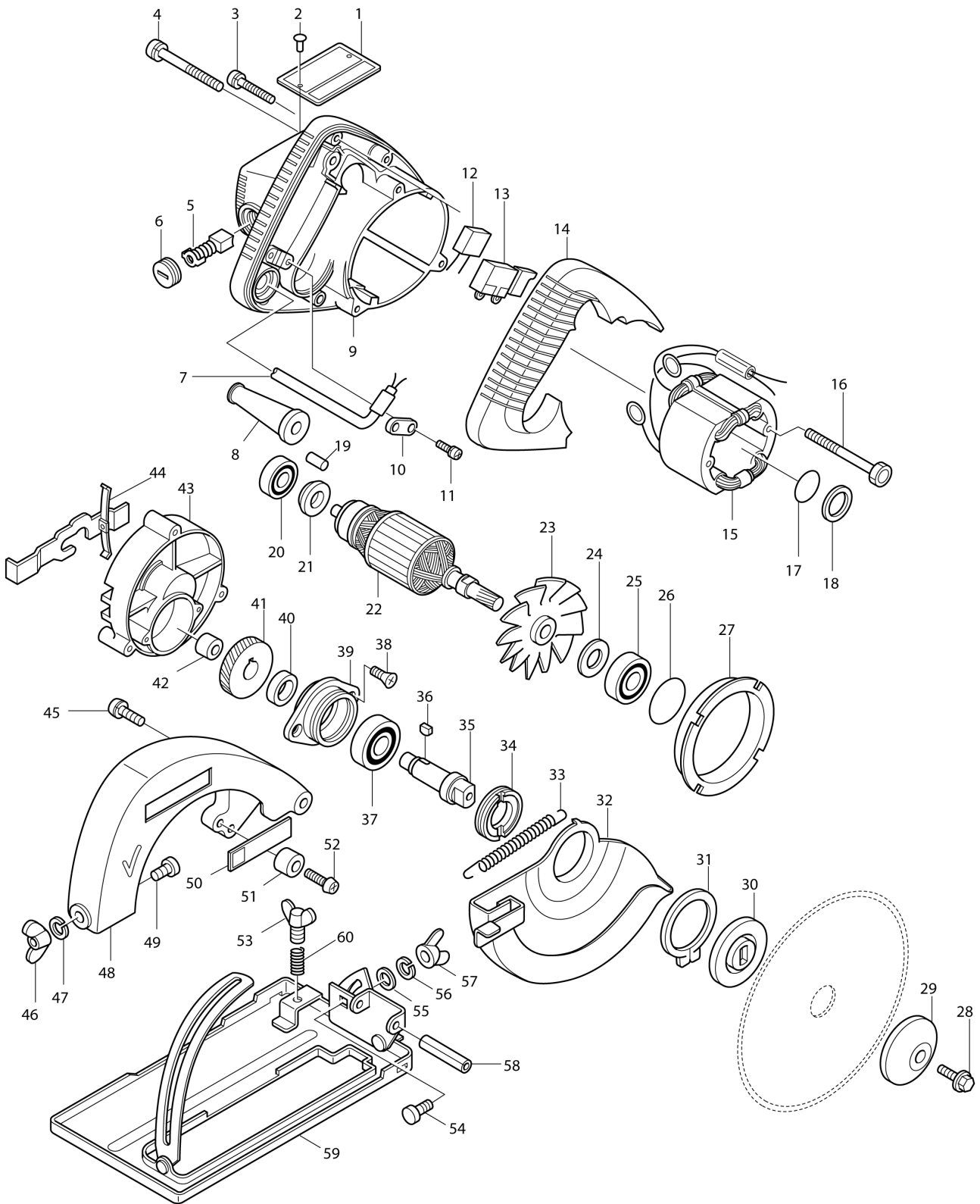
# Diagram / Parts List

**5800NB**

**CIRCULAR SAW 180MM**



(TH) 5800NB / CIRCULAR SAW 180MM



TH	THAILAND
----	----------

### 5800NB / CIRCULAR SAW 180MM

Item	Sub	Parts No.	Parts Description	Qty	I/C	E/C No.	Close No.	Remark
001-1		858423-4	NAME PLATE 5800NB	1				
002		953106-2	RIVET 0-5	2				
003		911148-2	PAN HEAD SCREW M4X25	4				
004		911288-6	PAN HEAD SCREW M5X65	3				
005B		181030-1	CARBON BRUSH CB-100	1			85070	
005B1		B-80298	CARBON BRUSH SET CB-100A	1	<	85070		
006		643600-9	BRUSH HOLDER CAP 6-10	2				
007G1		691227-9	POWER SUPPLY CORD 1.25-2-5.0	1			DU473	
007G2		692469-8	POWER SUPPLY CORD 1.5-2-5.0	1	S	DU473		
008		682504-0	CORD GUARD 10-85	1				
009-4		159912-5	MOTOR HOUSING COMPLETE	1				
	C11	643609-1	BRUSH HOLDER 6-10	2	O	55752		
	D10		INC. 17,19					
010		687000-3	STRAIN RELIEF	1			DU473	
010-1		687001-1	STRAIN RELIEF	1	S	DU473		
011-1		911133-5	PAN HEAD SCREW M4X18	2				
013		651204-3	SWITCH SGEL115CDY	1				
014-1		414681-8	HANDLE COVER	1				
015C		522145-9	FIELD ASS'Y 220V	1				220V
	C10	654019-7	RING TERMINAL	2				
	C20	654502-4	CONNECTOR P-2	2				
016-2		911681-4	PAN HEAD SCREW M5X60	2				
017		213255-0	O RING 18	1				
018		253192-6	FLAT WASHER 14	1				
019		263002-9	RUBBER PIN 4	1				
020		211031-6	BALL BEARING 608LLB	1				
021-1		681613-2	INSULATION WASHER	1				
022C		512583-3	ARMATURE ASS'Y 220V	1				220V
	D11		INC. 20,21,23-25					
023-1		241511-8	FAN 75	1				
024		253769-7	FLAT WASHER 10	1				
025		211066-7	BALL BEARING 6200LLB	1				
026		213406-5	O RING 30	1				
027-1		344122-9	BAFFLE PLATE	1				
028		251609-3	HEX. FLANGE HEAD BOLT M6X17	1				
029		224011-3	OUTER FLANGE 45	1				
030		224180-0	INNER FLANGE 45	1				
031		961155-5	RETAINING RING S-38	1				
032-1		164911-4	SAFETY COVER	1				
033		231730-4	TENSION SPRING 4	1				
034		285802-7	BEARING RETAINER 19-33	1				
035		325079-3	SPINDLE	1				
036		254011-9	WOODRUFF KEY 4	1				
037		211106-1	BALL BEARING 6201LLB	1				
038		912122-3	COUNTERSUNK HEAD SCREW M4X14	2				
039		312261-3	BEARING BOX	1				
040		257012-6	RING 12	1				
041		221602-1	HELICAL GEAR 44	1				
042		212004-2	NEEDLE BEARING 810	1				
043		157060-4	GEAR HOUSING	1			DS158	
	D10		INC. 26,42				DS158	
043-1		141X08-0	GEAR HOUSING COMPLETE	1	O	DS158		
	D10		INC. 26,42			DS158		
044		163097-1	SPINDLE LOCK	1				
045		911306-0	PAN HEAD SCREW M6X10	1				
046		934301-3	WING NUT M6	1				
047		942151-2	SPRING WASHER 6	1			D1189	
048-1		316111-4	BLADE CASE	1			DS158	
048-2		312F71-4	BLADE CASE	1	O	DS158		
049-1		251919-8	CAP SQUARE NECK BOLT M6X20	1				
050		819003-1	MAKITA LABEL	1				
051		262502-6	RUBBER SLEEVE 6	1				
052		251247-1	+ PAN HEAD SCREW M6X20	1				
053		924316-8	WING BOLT M6X15	1				
054-1		251919-8	CAP SQUARE NECK BOLT M6X20	1				

A:5800NB(H)

Interchange  
O : Yes  
X : No  
< : the new part can be substituted for the current.  
> : the current part can be substituted for the new.  
S : Interchangeable as a set.

