



TH	THAILAND
----	----------

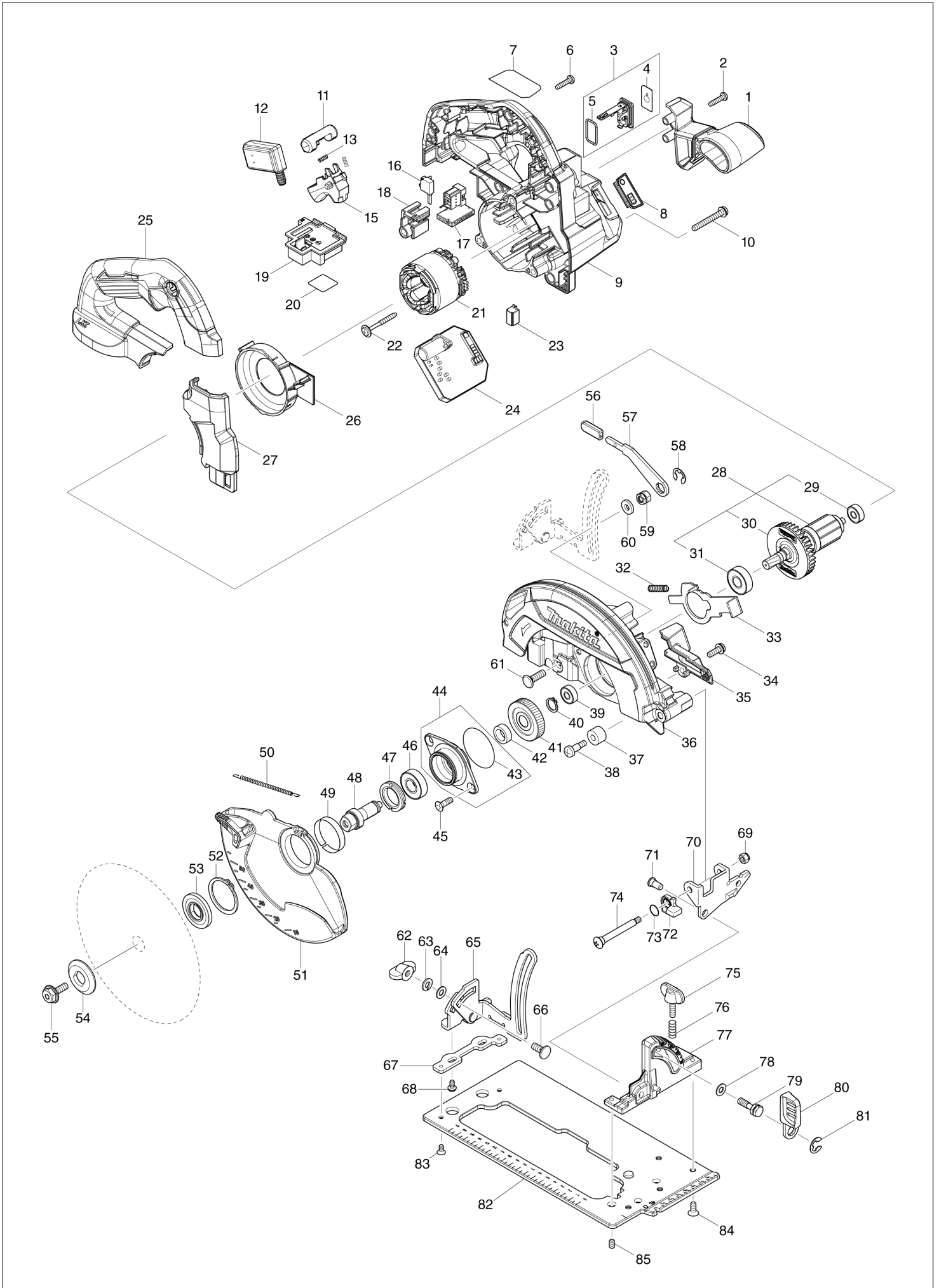
# Diagram / Parts List

**DHS661**

**165MM CORDLESS CIRCULAR SAW**



(TH) DHS661 / 165MM CORDLESS CIRCULAR SAW



<b>TH</b>	<b>THAILAND</b>
-----------	-----------------

### DHS661 / 165MM CORDLESS CIRCULAR SAW

Item	Sub	Parts No.	Parts Description	Qty	I/C	E/C No.	Close No.	Remark
001		458590-1	FRONT GRIP	1				
002		265995-6	TAPPING SCREW 4X18	1				
003A		183J85-2	CAP SET	1			C3942	
	D10		INC. 4,5				C3942	
003-1A		140G30-2	CAP COMPLETE	1	<	C3942		
	D10		INC. 4,5			C3942		
003-1B		140G30-2	CAP COMPLETE	1				
	D10		INC. 4,5					
004A		813T75-8	CAP LABEL	1			C3942	
004-1A		818H48-4	CAP LABEL	1	<	C3942		
004-1B		818H48-4	CAP LABEL	1				
005		213218-6	O RING 16	1			DA223	
005-1		213A05-9	O-RING16	1	O	DA223		
006		265995-6	TAPPING SCREW 4X18	7				
007		854N98-1	DHS661 NAME PLATE	1				
008		144251-6	INDICATION PLATE COMPLETE	1				
009		140C49-7	MOTOR HOUSING COMPLETE	1				
	C10	263005-3	RUBBER PIN 6	2				
010		911263-2	PAN HEAD SCREW M5X40	3				
011		419704-7	LOCK OFF BUTTON	1				
012		651083-9	SWITCH C3XA-1PSPM	1				
013		231433-0	COMPRESSION SPRING 4	2				
015		458594-3	SWITCH LEVER	1				
016		632L80-6	SWITCH UNIT	1				
017		620754-9	SUB CONTROLLER	1				
018		458588-8	HOLDER	1				
019		644809-6	TERMINAL	1				
020		854P03-0	DHS661 SERIAL NO. LABEL	1				
021		629362-3	STATOR	1			DG534	
021-1		629B61-9	STATOR	1	S	DG534		
022		251517-8	TAPPING SCREW 4X40	2				
023		620936-3	LED CIRCUIT	1				
024A		620937-1	CONTROLLER	1			C5919	
024-1A		620A73-9	CONTROLLER	1	<	C5919	DG534	
024-1B		620A73-9	CONTROLLER	1			DG534	
024-2		620L11-7	CONTROLLER	1	S	DG534		
025		458584-6	HANDLE COVER	1				
026		458586-2	BAFFLE PLATE	1				
027		458592-7	COVER	1				
028		519527-4	ROTOR ASS'Y	1				
	D10		INC. 29-31					
029		211012-0	BALL BEARING 606ZZ	1				
030		240045-8	FAN 55	1				
031		210059-1	BALL BEARING 6000DDW	1				
032A		233117-6	COMPRESSION SPRING 6	1			C4233	
032-1A		233342-9	COMPRESSION SPRING 6	1	<	C4233		
032-1B		233342-9	COMPRESSION SPRING 6	1				
033		347400-6	SHAFT LOCK	1				
034		911223-4	PAN HEAD SCREW M5X16	1				
035		458589-6	DUCT	1				
036		140D07-9	BLADE CASE COMPLETE	1				
	C10	213821-3	O-RING 26	1				
037		262511-5	RUBBER SLEEVE 6	1				
038		265115-2	+ PAN HEAD SCREW M5	1				
039		211012-0	BALL BEARING 606ZZ	1				
040		961052-5	RETAINING RING (EXT) S-12	1				
041		226192-9	HELICAL GEAR 49	1			DV620	
041-1		226192-9	HELICAL GEAR 49	1	O	DV620		
042		257173-2	RING 12	1				
043		213512-6	O RING 39	1				
044		135993-3	BEARING BOX ASSEMBLY	1				
	D10		INC. 43					
045		265034-2	+ COUNTERSUNK HEAD SCREW M5X1	2				
046		211131-2	BALL BEARING 6001DDW	1				
047		285843-3	BEARING RETAINER 19-29	1				

A:DHS661Z(N)  
B:DHS661RFJ(H)

Interchange  
O : Yes  
X : No  
< : the new part can be substituted for the current.  
> : the current part can be substituted for the new.  
S : Interchangeable as a set.

TH	THAILAND
----	----------

### DHS661 / 165MM CORDLESS CIRCULAR SAW

Item	Sub	Parts No.	Parts Description	Qty	I/C	E/C No.	Close No.	Remark
048A		327143-6	SPINDLE	1			C4635	
048-1A		327244-0	SPINDLE	1	<	C4635		
048-1B		327244-0	SPINDLE	1				
049		345469-4	THICKNESS RING	1				
050		231832-6	TENSION SPRING 3	1				
051		458680-0	SAFETY COVER	1				
052		961152-1	RETAINING RING (EXT) S-34	1				
053		224593-5	INNER FLANGE 35	1				
054		224409-4	OUTER FLANGE 35	1				
055		266925-0	HEX.SOCKET HEX.BOLT M6X18	1				
056		286036-5	CAP	1				
057		347399-5	LEVER PLATE	1				
058		257982-9	BOW STOP RING E-8	1				
059		264096-7	HEX. NUT M6	1			D0825	
059-1		252265-2	HEX. NUT M6	1	S	D0825		
060		267118-2	FLAT WASHER 6	1			D0825	
061		266737-1	FLAT HEAD SQ. NECK BOLT M6X20	1				
062		252631-3	THUMB NUT M6	1				
063A		942151-2	SPRING WASHER 6	1			C3118	
063B		253428-3	SPRING WASHER 6	1			D1189	
063-1A		253428-3	SPRING WASHER 6	1	O	C3118	D1189	
064		941151-9	FLAT WASHER 6	1				
065		161899-9	DEPTH GUIDE COMPLETE	1				
066		265939-6	FLAT HEAD SQ. NECK BOLT M6X14	1				
067		347401-4	REAR GUIDE PLATE	1				
068		265648-7	PAN HEAD SCREW M4X8	2				
069		252103-8	HEX. LOCK NUT M5-8	1				
070		345590-9	ANGULAR GUIDE	1				
071		256480-0	SHOULDER PIN 6-7	1				
072		318823-5	STOPPER	1				
073		213977-2	O RING 7	1				
074		266734-7	+ TRUSS HEAD SCREW M5	1				
075		251896-4	SCREW M5X20	1				
076		231007-7	COMPRESSION SPRING 6	1				
077		319715-1	ANGULAR PLATE	1				
078		941151-9	FLAT WASHER 6	1			D0825	
079		266735-5	HEX.BOLT M6X20	1			D0825	
079-1		265B21-3	HEX.BOLT M6X20	1	S	D0825		
080		271446-9	LEVER 45	1				
081		257982-9	BOW STOP RING E-8	1				
082		347398-7	BASE	1				
083		265085-5	+ COUNTERSUNK HEAD SCREW M4X8	2				
084		912212-2	COUNTERSUNK HEAD SCREW M5X12	4				
085		266436-5	H.S.SET SCREW(FLAT POINT)M5X8	3				
086		620K37-3	CONTROLLER B	1	S	DG534		
087		652119-7	PAN HEAD SCREW M2X6	6	S	DG534		
A01		783203-8	HEX. WRENCH 5	1				
A02		A-85117	T.C.T.SAW BLADE 165X24TX20	1			DJ994	
A02-1		B-63018	TCT BLADE 165X25T WOOD EFFICUT	1	X	DJ994		
A03		164095-8	GUIDE RULE	1				
A04		199230-9	DUST NOZZLE SET	1				
	C10	911233-1	PAN HEAD SCREW M5X20	1				
A05B		817N45-3	DHS661RFJ INDICATION LABEL	1				
A06B		817N46-1	DHS661RFJ PLASTIC CASE LABEL	2				
A07B		821551-8	CONNECTOR PLASTIC CASE (TYPE3)	1				
	C10	453974-8	LATCH	4				
A08B		839752-4	INNER TRAY	1				
A09B		450128-8	BATTERY COVER	1				
A10B		***DC18RC	DC18RC FAST CHARGER	1				
	D10		COMPO-PARTS					
A11B		199283-8	BATTERY BL1830B SET	2			D0159	
A11-1B		199283-8	BATTERY BL1830B SET	2	<	D0159		
F01		199140-0	GUIDE RAIL 1000 SET	1		DP447		
F02		194367-7	GUIDE RAIL 3000 SET	1				
F03		194368-5	GUIDE RAIL 1400 SET	1				

A:DHS661Z(N)  
B:DHS661RFJ(H)

Interchange  
O : Yes  
X : No  
< : the new part can be substituted for the current.  
> : the current part can be substituted for the new.  
S : Interchangeable as a set.

