



TH	THAILAND
----	----------

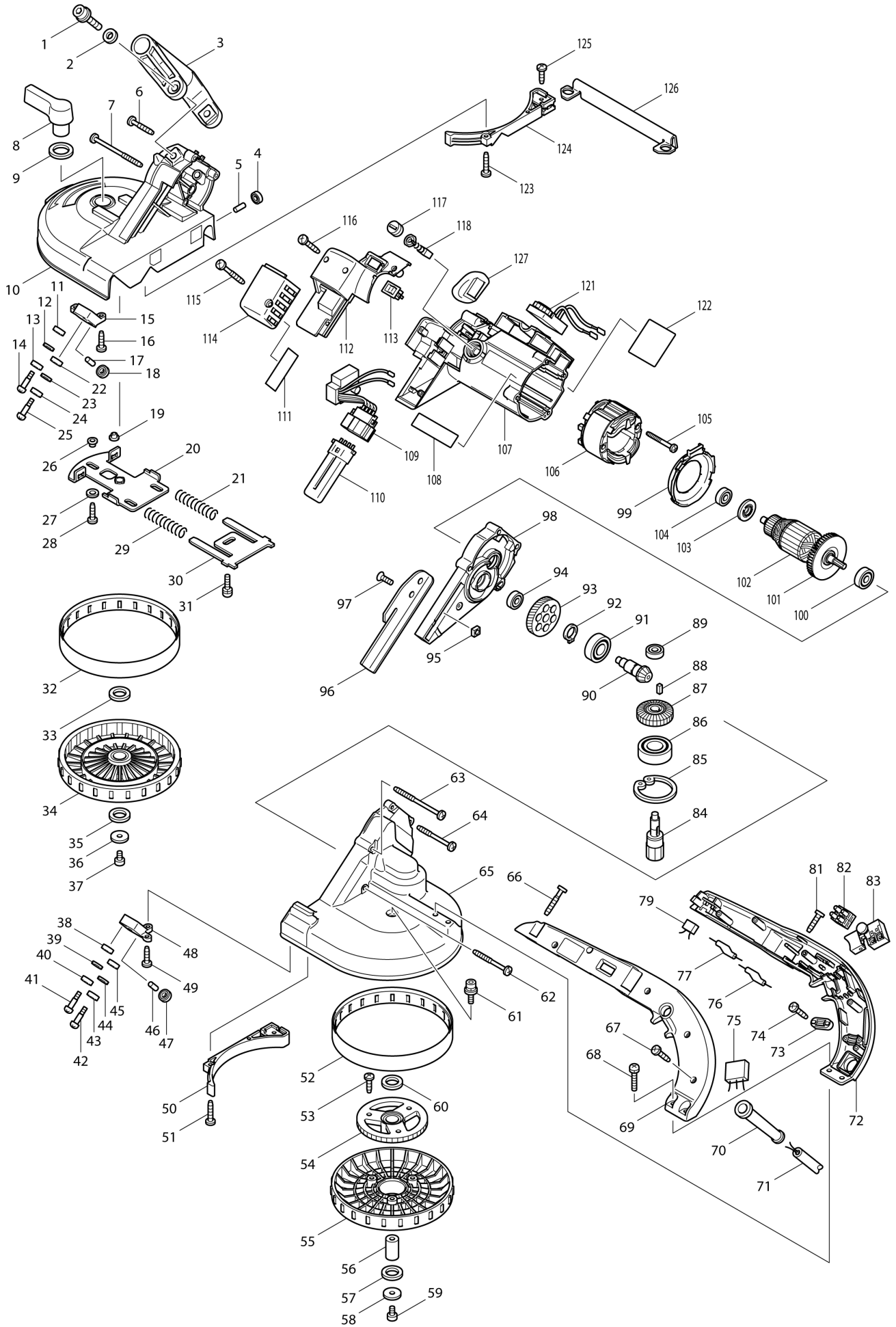
Diagram / Parts List

2107F

PORTABLE BAND SAW



(TH) 2107F / PORTABLE BAND SAW



TH	THAILAND
----	----------

2107F / PORTABLE BAND SAW

Item	Sub	Parts No.	Parts Description	Qty	I/C	E/C No.	Close No.	Remark
001		922456-6	HEX. SOCKET HEAD BOLT M8X35	2			DG632	
001-1		922458-2	H.S.H.BOLT M8X35 WITH WR	2	S	DG632		
002		941202-8	FLAT WASHER 8	2			DG632	
003		273614-0	GRIP	1				
004		210033-9	BALL BEARING 696ZZ	1			A8963	
004-1		143517-1	BLADE GUIDE COMPLETE	1	S	A8963		
005		256033-5	PIN 6	1			A8963	
005-1		268225-4	PIN 5	1	S	A8963		
006		265999-8	TAPPING SCREW 4X25	2				
007		266147-2	TAPPING SCREW 4X55	2				
008		272223-2	LEVER 60	1				
009		267041-1	FLAT WASHER 20	1				
010		154482-9	FRONT WHEEL COVER COMPLETE	1			72363	
	C10	816212-3	INDICATIONAL LABEL	1			72363	
010-1		154482-9	FRONT WHEEL COVER COMPLETE	1	O	72363	80584	
	C10	816212-3	INDICATIONAL LABEL	1		72363	80584	
010-2		158702-3	FRONT WHEEL COVER COMPLETE	1	<	80584		
	C10	816212-3	INDICATIONAL LABEL	1		80584		
011		210033-9	BALL BEARING 696ZZ	1				
012		941152-7	FLAT WASHER 6	1				
013		210033-9	BALL BEARING 696ZZ	1				
014		251337-0	+ PAN HEAD SCREW M5	1				
015		317824-0	UPPER HOLDER	1				
016		266034-5	TAPPING SCREW CT 4X16	2				
017		256033-5	PIN 6	1				
018		210033-9	BALL BEARING 696ZZ	1				
019		343494-9	SLEEVE 5	1				
020		163276-1	SLIDE PLATE	1				
021		231449-5	COMPRESSION SPRING 11	1				
022		210033-9	BALL BEARING 696ZZ	1				
023		941152-7	FLAT WASHER 6	1				
024		210033-9	BALL BEARING 696ZZ	1				
025		251337-0	+ PAN HEAD SCREW M5	1				
026		343494-9	SLEEVE 5	3				
027		941051-3	FLAT WASHER 4	3				
028		266034-5	TAPPING SCREW CT 4X16	3				
029		231449-5	COMPRESSION SPRING 11	1				
030		343489-2	TENSION PLATE	1				
031		911221-8	PAN HEAD SCREW M5X16	1				
032		421333-4	RUBBER TIRE	1				
033		253749-3	FLAT WASHER 16	1				
034		152325-9	WHEEL COMPLETE	1			C0686	
034-1		140B58-0	WHEEL COMPLETE	1	<	C0686		
035		253749-3	FLAT WASHER 16	1				
036		253010-8	FLAT WASHER 6	1				
037		922312-0	HEX. SOCKET HEAD BOLT M6X12	1				
038		210033-9	BALL BEARING 696ZZ	1				
039		941152-7	FLAT WASHER 6	1				
040		210033-9	BALL BEARING 696ZZ	1				
041		251337-0	+ PAN HEAD SCREW M5	1				
042		251337-0	+ PAN HEAD SCREW M5	1				
043		210033-9	BALL BEARING 696ZZ	1				
044		941152-7	FLAT WASHER 6	1				
045		210033-9	BALL BEARING 696ZZ	1				
046		256033-5	PIN 6	1				
047		210033-9	BALL BEARING 696ZZ	1				
048		317823-2	LOWER HOLDER	1				
049		266034-5	TAPPING SCREW CT 4X16	2				
050		418784-0	SAW GUARD HOLDER	1				
051		266042-6	TAPPING SCREW BIND CT 4X20	2				
052		421333-4	RUBBER TIRE	1				
053		266021-4	TAPPING SCREW 5X20	3				
054		154474-8	GEAR COMPLETE	1			84135	
054-1		140140-3	GEAR COMPLETE	1	<	84135		
055		418786-6	WHEEL	1			75018	

A:2107FK(H)
B:2107F(H)

Interchange
O : Yes
X : No
< : the new part can be substituted for the current.
> : the current part can be substituted for the new.
S : Interchangeable as a set.

TH	THAILAND
-----------	-----------------

2107F / PORTABLE BAND SAW

Item	Sub	Parts No.	Parts Description	Qty	I/C	E/C No.	Close No.	Remark
055-1		419506-1	WHEEL	1	<	75018		
056		324513-0	LOWER SHAFT	1				
057		253749-3	FLAT WASHER 16	1				
058		253010-8	FLAT WASHER 6	1				
059		922312-0	HEX. SOCKET HEAD BOLT M6X12	1				
060		253749-3	FLAT WASHER 16	1				
061		922323-5	HEX. SOCKET HEAD BOLT M6X16	1				
062		266203-8	TAPPING SCREW BIND CT 4X40	1				
063		266147-2	TAPPING SCREW 4X55	2				
064		266048-4	TAPPING SCREW 4X40	2				
065		317847-8	REAR WHEEL COVER	1			72363	
065-1		317847-8	REAR WHEEL COVER	1	O	72363		
066		265995-6	TAPPING SCREW 4X18	2				
067		265995-6	TAPPING SCREW 4X18	5				
068		911243-8	PAN HEAD SCREW M5X25	2				
069		183869-8	HANDLE SET	1				
	D10		INC. 72					
070		682573-1	CORD GUARD 10	1				
071		691015-4	POWER SUPPLY CORD 0.75-2-2.5	1			DU669	
071-1		692171-3	POWER SUPPLY CORD 1.5-2-2.5	1	S	DU669		
072		183869-8	HANDLE SET	1				
	D10		INC. 69					
073		687053-2	STRAIN RELIEF	1			DU669	
073-1		687063-9	CORD CLAMP	1	S	DU669		
074		265995-6	TAPPING SCREW 4X18	2				
081		266042-6	TAPPING SCREW BIND CT 4X20	2				
082		654531-7	TERMINAL BLOCK 2P	1				
083		651284-9	SWITCH SGEL115CDY-6	1				
084		227139-6	SPUR GEAR 8	1				
085		962203-3	RETAINING RING R-47	1				
086		211306-3	BALL BEARING 6204LLB	1				
087		227470-0	SPIRAL BEVEL GEAR 29	1				
088		254202-2	KEY 4	1				
089		211031-6	BALL BEARING 608LLB	1			89894	
089-1		210029-0	BALL BEARING 608ZZ	1	O	89894		
090		227481-5	SPIRAL BEVEL GEAR 11	1				
091		211206-7	BALL BEARING 6202LLB	1			89894	
091-1		211241-5	BALL BEARING 6202DDW	1	O	89894		
092		961055-9	RETAINING RING S-15	1				
093		226593-1	HELICAL GEAR 64	1				
094		211031-6	BALL BEARING 608LLB	1			89894	
094-1		210029-0	BALL BEARING 608ZZ	1	O	89894		
095		252157-5	SQUARE NUT M6	2				
096		345467-8	STOPPER PLATE	1				
097		251981-3	HEX. SOCKET HEAD BOLT M6X16	2				
098		154475-6	GEAR HOUSING COMPLETE	1				
099		418785-8	BAFFLE PLATE	1				
100		211092-6	BALL BEARING 629DDW	1			75505	
100-1		210078-7	BALL BEARING 629DDW	1	O	75505	76022	
100-2		211092-6	BALL BEARING 629DDW	1	O	76022		
101		241850-6	FAN 60	1				
102		513583-6	ARMATURE ASS'Y 220-240V	1			75505	
	D10		INC. 100,101,103,104				75505	
102-1		513583-6	ARMATURE ASS'Y 220-240V	1	O	75505	76022	
	D10		INC. 100,101,103,104			75505	76022	
102-2		513583-6	ARMATURE ASS'Y 220-240V	1	O	76022		
	D10		INC. 100,101,103,104			76022		
103		681644-1	INSULATION WASHER	1				
104		211031-6	BALL BEARING 608LLB	1			89894	
104-1		210029-0	BALL BEARING 608ZZ	1	O	89894		
105		266056-5	TAPPING SCREW 5X45	2				
106		599032-7	FIELD ASS'Y 220-240V	1				
	C10	654020-2	RING TERMINAL	2				
	C20	654501-6	CONNECTOR P-1.25	2				
107		183941-6	MOTOR HOUSING SET	1			72363	

A:2107FK(H)
B:2107F(H)

Interchange
O : Yes
X : No
< : the new part can be substituted for the current.
> : the current part can be substituted for the new.
S : Interchangeable as a set.

