



TH	THAILAND
----	----------

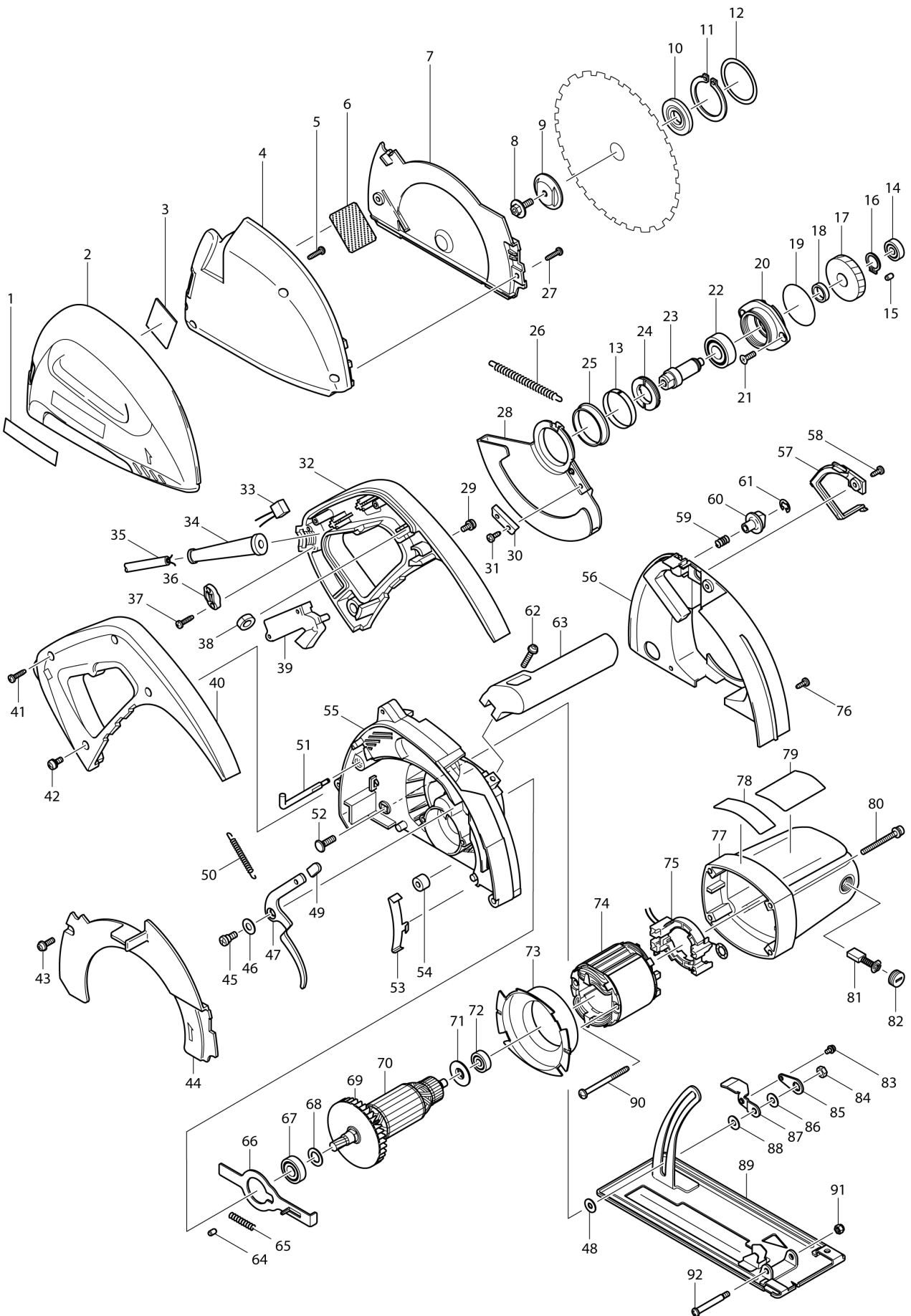
Diagram / Parts List

4131

METAL CUTTER 185MM



(TH) 4131 / METAL CUTTER 185MM



TH	THAILAND
----	----------

4131 / METAL CUTTER 185MM

Item	Sub	Parts No.	Parts Description	Qty	I/C	E/C No.	Close No.	Remark
001		819064-1	MAKITA MARK	1				
002		183837-1	DUST CASE COVER	1				
	C10	810055-5	CAUTION LABEL	1				
	D10		INC. 1					
003		431005-3	HEAT RESISTING GLASS	1				
004		317776-5	DUST CASE	1			DJ414	
004-1		312D82-7	DUST CASE	1	S	DJ414		
005		265995-6	TAPPING SCREW 4X18	2			DJ414	
005-1		265995-6	TAPPING SCREW 4X18	1	S	DJ414		
006		343760-4	PUNCHING METAL COVER	1				
007		317777-3	DUST PLATE	1				
008		266226-6	HEX. SOCKET HEAD BOLT M6X18	1			81210	
008-1		266458-5	HEX.SOCKET HEX.BOLT M6X18	1	<	81210		
009		224366-6	OUTER FLANGE 40	1				
010		224370-5	INNER FLANGE 40	1				
011		961201-4	RETAINING RING S-42	1				
012		267784-5	WASHER 42	1				
013		343759-9	THICKNESS RING	1				
014		211031-6	BALL BEARING 608LLB	1				
015		263002-9	RUBBER PIN 4	1				
016		961055-9	RETAINING RING S-15	1				
017		226591-5	HELICAL GEAR 48	1				
018		257053-2	RING 15	1				
019		213621-1	O RING 46	1				
020		316579-4	BEARING BOX	1				
021		251372-8	+ COUNTERSUNK HEAD SCREW M5X1	2				
022		211228-7	BALL BEARING 6202DDW	1				
023		324475-2	SPINDLE	1				
024		285807-7	BEARING RETAINER 22-36	1				
025		345422-0	SPACER	1			A6034	
025-1		346880-3	SPACER	1	<	A6034		
026		231828-7	TENSION SPRING 4	1			A5529	
026-1		231891-0	TENSION SPRING 4	1	<	A5529		
027		265995-6	TAPPING SCREW 4X18	2				
028		317775-7	SAFETY COVER	1				
029		911213-7	PAN HEAD SCREW M5X12	2				
030		344944-7	SUB PLATE	1				
031		266026-4	TAPPING SCREW BIND CT 4X12	1				
032-1		182648-1	HANDLE SET	1				
	D10		INC. 40					
034		682505-8	CORD GUARD 10-90	1				
035		691015-4	POWER SUPPLY CORD 0.75-2-2.5	1			DU669	
035-1		692171-3	POWER SUPPLY CORD 1.5-2-2.5	1	S	DU669		
036		687053-2	STRAIN RELIEF	1			DU669	
036-1		687063-9	CORD CLAMP	1	S	DU669		
037		265995-6	TAPPING SCREW 4X18	2				
038		421492-4	SPONGE RING	1				
039		651054-6	SWITCH TG71C-2	1				
040-1		182648-1	HANDLE SET	1				
	D10		INC. 32					
041		265995-6	TAPPING SCREW 4X18	2				
042		911213-7	PAN HEAD SCREW M5X12	2				
043		911223-4	PAN HEAD SCREW M5X16	1				
044		317778-1	BLADE COVER	1				
045		251267-5	+ PAN HEAD SCREW M6	1				
046		941201-0	FLAT WASHER 8	1				
047		345421-2	OPEN LEVER	1				
048		253783-3	FLAT WASHER 6	1				
049-1		421903-9	RUBBER CAP	1				
050		231823-7	TENSION SPRING 4	1				
051		324476-0	HOOK	1				
052		266031-1	CAP SQUARE NECK BOLT M6X20	1				
053		343758-1	PROTECTOR	1				
054		262511-5	RUBBER SLEEVE 6	1				
055		153924-0	GEAR HOUSING COMPLETE	1				

A:4131(H)

Interchange
O : Yes
X : No
< : the new part can be substituted for the current.
> : the current part can be substituted for the new.
S : Interchangeable as a set.

TH	THAILAND
-----------	-----------------

4131 / METAL CUTTER 185MM

Item	Sub	Parts No.	Parts Description	Qty	I/C	E/C No.	Close No.	Remark
	D10		INC. 15,64					
056		418612-9	GEAR HOUSING COVER	1				
057		418613-7	LEAD COVER	1				
058		266026-4	TAPPING SCREW BIND CT 4X12	1				
059		231402-1	COMPRESSION SPRING 7	1				
060		271421-5	THUMB PIPE 23	1				
061		961017-7	STOP RING E-3	1				
062		911243-8	PAN HEAD SCREW M5X25	2				
063		415469-9	GRIP	1				
064		263002-9	RUBBER PIN 4	1				
065		233092-6	COMPRESSION SPRING 5	1				
066		343832-5	SHAFT LOCK	1				
067		211131-2	BALL BEARING 6001DDW	1				
068		253744-3	FLAT WASHER 12	1				
069		241876-8	FAN 76	1				
070		513578-9	ARMATURE ASS'Y 220-240V	1				
	D10		INC. 67-69,71,72					
071		681634-4	INSULATION WASHER	1				
072		211031-6	BALL BEARING 608LLB	1				
073		415467-3	BAFFLE PLATE	1				
074		634513-5	FIELD 220-240V	1				
075		638358-3	SUPPORT COMPLETE	1				
076		266026-4	TAPPING SCREW BIND CT 4X12	3				
077		159685-0	MOTOR HOUSING COMPLETE	1				
	C10	643754-2	BRUSH HOLDER	2				
078		816816-1	INDICATION LABEL	1				
079		860463-0	NAME PLATE 4131	1				
080		911263-2	PAN HEAD SCREW M5X40	4				
081		A-81664	CARBON BRUSH CB-303A	1			83185	
081-1		B-80151	CARBON BRUSH SET CB-303A	1	O	83185	85070	
081-2		B-80379	CARBON BRUSH SET CB-303A	1	<	85070		
082		643750-0	BRUSH HOLDER CAP 7-11	2			B4206	
082-1		643515-0	HOLDER CAP 7-11	2	O	B4206	DT602	
082-2		643750-0	BRUSH HOLDER CAP 7-11	2	O	DT602		
083		911108-4	PAN HEAD SCREW M4X8	1				
084		252135-5	HEX. NUT	1				
085		341718-7	LOCK PLATE	1				
086		253804-1	FLAT WASHER 6	1				
087		342907-7	LEVER PLATE	1				
088		253804-1	FLAT WASHER 6	1				
089		165387-8	BASE	1				
090		266029-8	TAPPING SCREW 5X65	2				
091		252103-8	HEX. LOCK NUT M5-8	1				
092		265075-8	+ PAN HEAD SCREW M5	1				
A01		192219-6	SAFETY GOGGLE	1			DJ640	
A02		410047-0	WRENCH HOLDER 5.6	1				
A03		783203-8	HEX. WRENCH 5	1				
A04-1		B-04628	CERMET SAW BLADE 185X20X36T	1				
A05		A-81664	CARBON BRUSH CB-303A	2			83185	
A05-1		B-80151	CARBON BRUSH SET CB-303A	2	O	83185	85070	
A05-2		B-80379	CARBON BRUSH SET CB-303A	2	<	85070	87444	

A:4131(H)

Interchange
O : Yes
X : No
< : the new part can be substituted for the current.
> : the current part can be substituted for the new.
S : Interchangeable as a set.