



| | |
|----|----------|
| TH | THAILAND |
|----|----------|

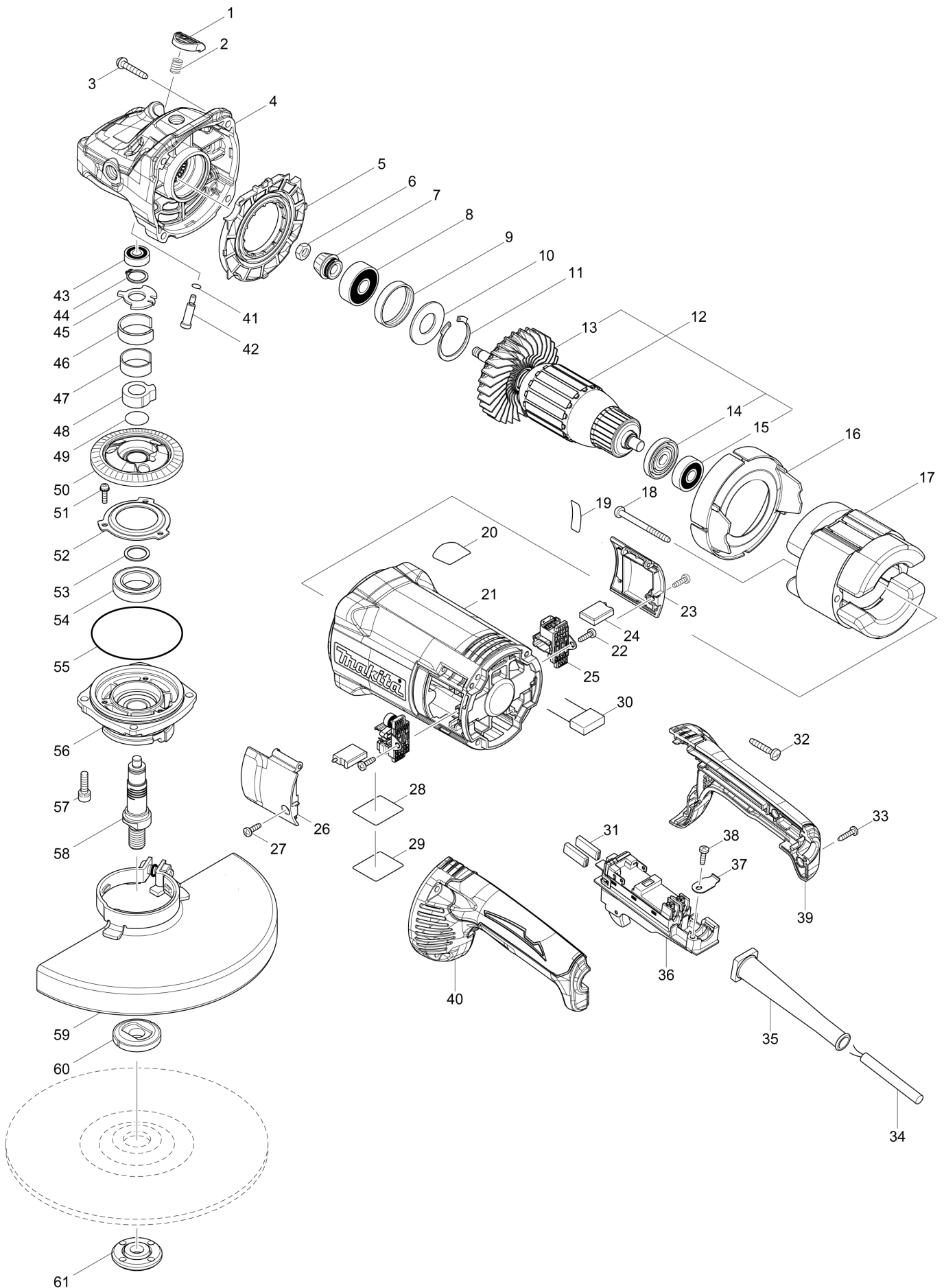
Diagram / Parts List

GA9061

230MM ANGLE GRINDER



(TH) GA9061 / 230MM ANGLE GRINDER



| | |
|----|----------|
| TH | THAILAND |
|----|----------|

GA9061 / 230MM ANGLE GRINDER

| Item | Sub | Parts No. | Parts Description | Qty | I/C | E/C No. | Close No. | Remark |
|-------|-----|-----------|-------------------------------|-----|-----|---------|-----------|--------|
| 001 | | 456247-8 | PIN CAP | 1 | | | | |
| 002 | | 234391-9 | COMPRESSION SPRING 8 | 1 | | | | |
| 003 | | 251489-7 | TAPPING SCREW 5X30 | 4 | | | | |
| 004 | | 143485-8 | GEAR HOUSING COMPLETE | 1 | | | | |
| | C10 | 263002-9 | RUBBER PIN 4 | 1 | | | | |
| 005 | | 456238-9 | DIFFUSER | 1 | | | | |
| 006 | | 252194-9 | HEX. NUT M8 | 1 | | | | |
| 007 | | 227652-4 | SPIRAL BEVEL GEAR 13 | 1 | | | | |
| 008 | | 211132-0 | BALL BEARING 6301DDW | 1 | | | | |
| 009 | | 262085-6 | RUBBER RING 38 | 1 | | | | |
| 010 | | 267299-2 | FLAT WASHER 20 | 1 | | | | |
| 011 | | 962211-4 | RETAINING RING R-42 | 1 | | | | |
| 012 | | 513448-2 | ARMATURE ASS'Y 220V | 1 | | | | |
| | D10 | | INC. 13-15 | | | | | |
| 013 | | 240161-6 | FAN 86 | 1 | | | | |
| 014 | | 681630-2 | INSULATION WASHER | 1 | | | | |
| 015 | | 211087-9 | BALL BEARING 6200DDW | 1 | | | | |
| 016 | | 456239-7 | BAFFLE PLATE | 1 | | | | |
| 017 | | 621778-8 | FIELD 220V | 1 | | | | |
| 018 | | 266044-2 | TAPPING SCREW 5X60 | 2 | | | | |
| 019 | | 851V63-9 | GA9061 SERIAL NO. LABEL | 1 | | | | |
| 020 | | 898443-6 | SJS2 MARK LABEL | 1 | | | DR882 | |
| 021 | | 456240-2 | MOTOR HOUSING | 1 | | | | |
| 022 | | 266385-6 | TAPPING SCREW 4X14 | 2 | | | | |
| 023 | | 143950-7 | BRUSH HOLDER COVER R COMPLETE | 1 | | | B7463 | |
| 023-1 | | 456246-0 | BRUSH HOLDER COVER R | 1 | > | B7463 | | |
| 024 | | 197128-4 | CARBON BRUSH CB-218 | 1 | | | DV178 | |
| 024-1 | | 197129-2 | CARBON BRUSH CB-218 | 1 | O | DV178 | | |
| 025 | | 643714-4 | BRUSH HOLDER | 2 | | | B7463 | |
| 025-1 | | 643715-2 | BRUSH HOLDER | 2 | < | B7463 | | |
| 026 | | 143949-2 | BRUSH HOLDER COVER L COMPLETE | 1 | | | B7463 | |
| 026-1 | | 456245-2 | BRUSH HOLDER COVER L | 1 | > | B7463 | | |
| 027 | | 266385-6 | TAPPING SCREW 4X14 | 2 | | | | |
| 028 | | 851V60-5 | GA9061 NAME PLATE | 1 | | | | |
| 029 | | 808D02-2 | CLEAR LABEL | 1 | | | | |
| 031 | | 686036-9 | RECEPTACLE SLEEVE | 2 | | | | |
| 032 | | 251489-7 | TAPPING SCREW 5X30 | 4 | | | | |
| 033 | | 266326-2 | TAPPING SCREW 4X18 | 2 | | | | |
| 034 | | 691216-4 | POWER SUPPLY CORD 1.25-2-2.5 | 1 | | | DU465 | |
| 034-1 | | 692171-3 | POWER SUPPLY CORD 1.5-2-2.5 | 1 | S | DU465 | | |
| 035 | | 682573-1 | CORD GUARD 10 | 1 | | | | |
| 036 | | 632F74-5 | SWITCH UNIT | 1 | | | | |
| 037 | | 687678-2 | STRAIN RELIEF | 1 | | | DU465 | |
| 037-1 | | 687169-3 | STRAIN RELIEF | 1 | S | DU465 | | |
| 038 | | 266385-6 | TAPPING SCREW 4X14 | 1 | | | | |
| 039 | | 183C63-0 | HANDLE SET | 1 | | | | |
| | D10 | | INC. 40 | | | | | |
| 040 | | 183C63-0 | HANDLE SET | 1 | | | | |
| | D10 | | INC. 39 | | | | | |
| 041 | | 213026-5 | O RING 7 | 1 | | | | |
| 042 | | 256571-7 | SHOULDER PIN 7 | 1 | | | | |
| 043 | | 211032-4 | BALL BEARING 608ZZ | 1 | | | | |
| 044 | | 961055-9 | RETAINING RING S-15 | 1 | | | | |
| 045 | | 346980-9 | BALANCER | 1 | | | | |
| 046 | | 346981-7 | C TYPE PLATE 33 | 1 | | | | |
| 047 | | 346982-5 | C TYPE PLATE 29 | 1 | | | | |
| 048 | | 326640-9 | JOINT SLEEVE | 1 | | | | |
| 049 | | 213859-8 | O-RING 19 | 1 | | | | |
| 050 | | 227654-0 | SPIRAL BEVEL GEAR 54 | 1 | | | | |
| 051 | | 911128-8 | P.H.SCREW M4X16 WITH WR | 3 | | | | |
| 052 | | 285742-9 | BEARING RETAINER 59 | 1 | | | | |
| 053 | | 253725-7 | FLAT WASHER 17 | 1 | | | | |
| 054 | | 211377-0 | BALL BEARING 6905LLB | 1 | | | | |
| 055 | | 213760-7 | O RING 78 | 1 | | | | |
| 056 | | 143515-5 | BEARING BOX COMPLETE | 1 | | | | |

A:GA9061(H)

Interchange
O : Yes
X : No
< : the new part can be substituted for the current.
> : the current part can be substituted for the new.
S : Interchangeable as a set.

