



|    |          |
|----|----------|
| TH | THAILAND |
|----|----------|

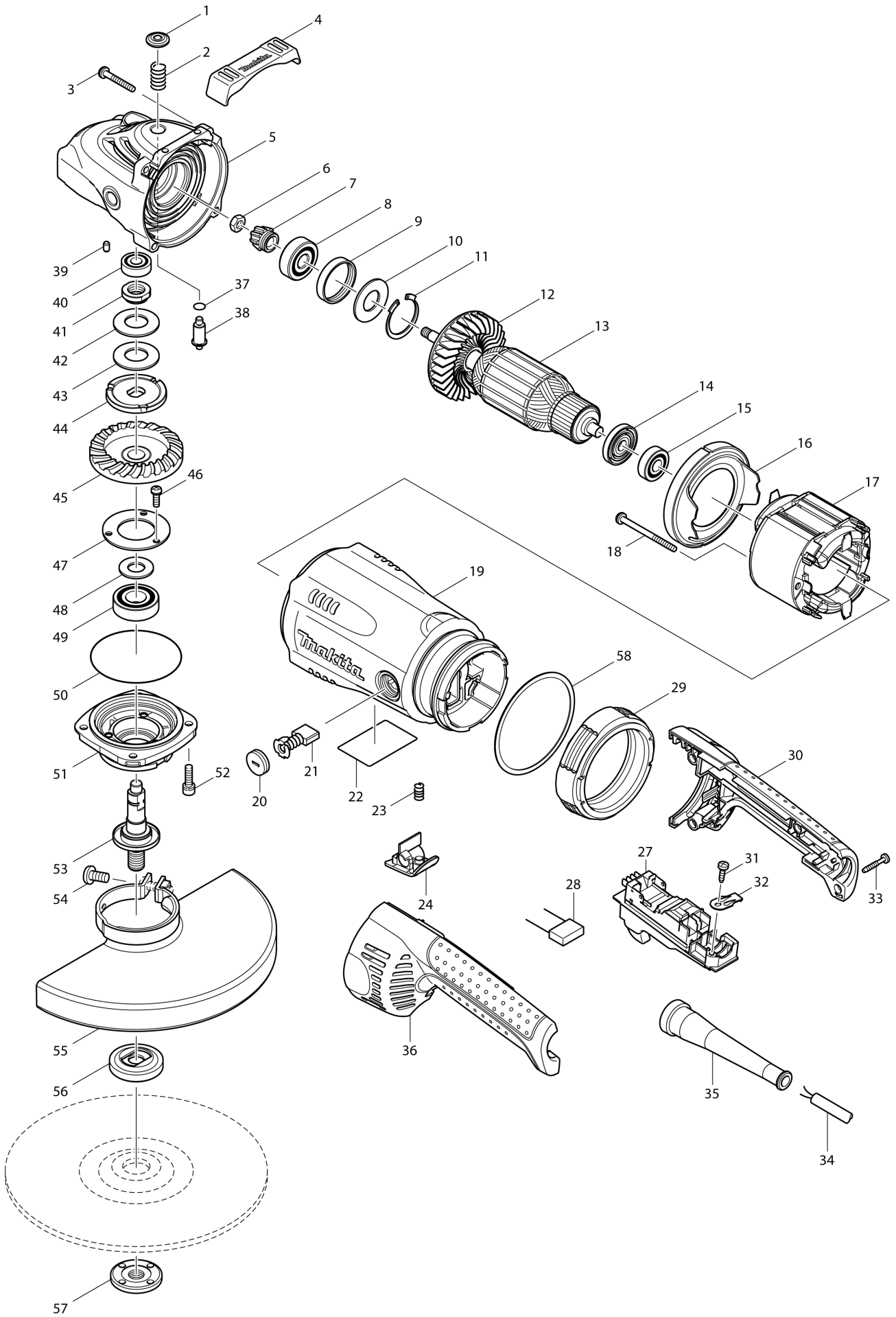
# Diagram / Parts List

**GA9030**

**ANGLE GRINDER 230MM**



(TH) GA9030 / ANGLE GRINDER 230MM



|    |          |
|----|----------|
| TH | THAILAND |
|----|----------|

### GA9030 / ANGLE GRINDER 230MM

| Item  | Sub | Parts No. | Parts Description           | Qty | I/C | E/C No. | Close No. | Remark |
|-------|-----|-----------|-----------------------------|-----|-----|---------|-----------|--------|
| 001   |     | 419133-4  | PIN CAP                     | 1   |     |         |           |        |
| 002   |     | 233292-8  | COMPRESSION SPRING 12       | 1   |     |         |           |        |
| 003   |     | 266012-5  | TAPPING SCREW 5X35          | 4   |     |         | D7780     |        |
| 003-1 |     | 265B72-6  | TAPPING SCREW 5X35          | 4   | O   | D7780   |           |        |
| 004   |     | 419144-9  | BUMPER                      | 1   |     |         |           |        |
| 005   |     | 154685-5  | GEAR HOUSING COMPLETE       | 1   |     |         | Y05292    |        |
|       | C10 | 262118-7  | FELT RING 18                | 1   |     |         | Y05292    |        |
| 005-1 |     | 154685-5  | GEAR HOUSING COMPLETE       | 1   | O   | Y05292  | Y05442    |        |
|       | C10 | 262118-7  | FELT RING 18                | 1   |     | Y05292  | Y05442    |        |
|       | C20 | 419134-2  | LABYRINTH PLATE             | 1   |     | Y05292  | Y05442    |        |
| 005-2 |     | 154685-5  | GEAR HOUSING COMPLETE       | 1   | O   | Y05442  | A7692     |        |
|       | C10 | 262118-7  | FELT RING 18                | 1   |     | Y05442  | A7692     |        |
| 005-3 |     | 142754-4  | GEAR HOUSING COMPLETE       | 1   | <   | A7692   |           |        |
|       | C10 | 262118-7  | FELT RING 18                | 1   |     | A7692   |           |        |
| 006   |     | 252194-9  | HEX. NUT M8                 | 1   |     |         |           |        |
| 007   |     | 227490-4  | SPIRAL BEVEL GEAR 12        | 1   |     |         |           |        |
| 008   |     | 211132-0  | BALL BEARING 6301DDW        | 1   |     |         |           |        |
| 009   |     | 262085-6  | RUBBER RING 38              | 1   |     |         |           |        |
| 010   |     | 267299-2  | FLAT WASHER 20              | 1   |     |         |           |        |
| 011   |     | 962211-4  | RETAINING RING R-42         | 1   |     |         |           |        |
| 012   |     | 240081-4  | FAN 80                      | 1   |     |         |           |        |
| 013   |     | 516963-5  | ARMATURE ASS'Y 220V         | 1   |     |         | 83838     |        |
|       | D10 |           | INC. 12,14,15               |     |     |         | 83838     |        |
| 013-1 |     | 517828-4  | ARMATURE ASS'Y 220V         | 1   | <   | 83838   |           |        |
|       | D10 |           | INC. 12,14,15               |     |     | 83838   |           |        |
| 014   |     | 681630-2  | INSULATION WASHER           | 1   |     |         |           |        |
| 015-1 |     | 211087-9  | BALL BEARING 6200DDW        | 1   |     |         |           |        |
| 016   |     | 419135-0  | BAFFLE PLATE                | 1   |     |         |           |        |
| 017   |     | 526168-9  | FIELD ASS'Y 220V            | 1   |     |         | 83650     |        |
|       | C10 | 654197-3  | RING TERMINAL               | 2   |     |         | 83650     |        |
|       | C20 | 654502-4  | CONNECTOR P-2               | 2   |     |         | 83650     |        |
| 017-1 |     | 526193-0  | FIELD ASS'Y 220-240V        | 1   | O   | 83650   |           |        |
|       | C10 | 654197-3  | RING TERMINAL               | 2   |     | 83650   |           |        |
|       | C20 | 654502-4  | CONNECTOR P-2               | 2   |     | 83650   |           |        |
| 018   |     | 266029-8  | TAPPING SCREW 5X65          | 2   |     |         |           |        |
| 019   |     | 154786-9  | MOTOR HOUSING COMPLETE      | 1   |     |         |           |        |
|       | C10 | 643712-8  | BRUSH HOLDER                | 2   |     |         |           |        |
| 020   |     | 643700-5  | BRUSH HOLDER CAP 7-18       | 2   |     |         |           |        |
| 021   |     | A-81337   | CARBON BRUSH CB-204A        | 1   |     |         | 83185     |        |
| 021-1 |     | B-80145   | CARBON BRUSH SET CB-204A    | 1   | O   | 83185   | 85070     |        |
| 021-2 |     | B-80357   | CARBON BRUSH SET CB-204A    | 1   | <   | 85070   |           |        |
| 022   |     | 862125-6  | GA9030 NAME PLATE           | 1   |     |         |           |        |
| 023   |     | 233375-4  | COMPRESSION SPRING 7        | 1   |     |         |           |        |
| 024   |     | 419260-7  | LOCK BUTTON                 | 1   |     |         |           |        |
| 027   |     | 651176-2  | SWITCH 1267.4109            | 1   |     |         | 82694     |        |
| 027-1 |     | 650101-0  | SWITCH TG08-1100-011        | 1   | O   | 82694   |           |        |
| 029   |     | 421936-4  | VIBRATION PROOF RUBBER      | 1   |     |         |           |        |
| 030   |     | 188123-5  | HANDLE SET                  | 1   |     |         |           |        |
|       | C10 | 423350-0  | SPONGE SHEET                | 1   |     |         |           |        |
|       | D10 |           | INC. 36                     |     |     |         |           |        |
| 031   |     | 266192-7  | TAPPING SCREW 4X14          | 1   |     |         | D7780     |        |
| 031-1 |     | 265B74-2  | TAPPING SCREW 4X14          | 1   | O   | D7780   |           |        |
| 032   |     | 687169-3  | STRAIN RELIEF               | 1   |     |         |           |        |
| 033   |     | 265999-8  | TAPPING SCREW 4X25          | 4   |     |         | D7780     |        |
| 033-1 |     | 265B73-4  | TAPPING SCREW 4X25          | 4   | O   | D7780   |           |        |
| 034   |     | 665630-0  | POWER SUPPLY CORD 1.5-2-2.5 | 1   |     |         | 89426     |        |
| 034-1 |     | 695107-1  | POWER SUPPLY CORD 1.5-2-2.5 | 1   | O   | 89426   | DU465     |        |
| 034-2 |     | 692171-3  | POWER SUPPLY CORD 1.5-2-2.5 | 1   | <   | DU465   |           |        |
| 035   |     | 682560-0  | CORD GUARD 10               | 1   |     |         |           |        |
| 036   |     | 188123-5  | HANDLE SET                  | 1   |     |         |           |        |
|       | C10 | 423350-0  | SPONGE SHEET                | 1   |     |         |           |        |
|       | D10 |           | INC. 30                     |     |     |         |           |        |
| 037   |     | 213062-1  | O RING 9                    | 1   |     |         |           |        |
| 038   |     | 256491-5  | SHOULDER PIN 5              | 1   |     |         |           |        |
| 039   |     | 263002-9  | RUBBER PIN 4                | 1   |     |         |           |        |

A:GA9030(H)

Interchange  
 O : Yes  
 X : No  
 < : the new part can be substituted for the current.  
 > : the current part can be substituted for the new.  
 S : Interchangeable as a set.

