



TH	THAILAND
----	----------

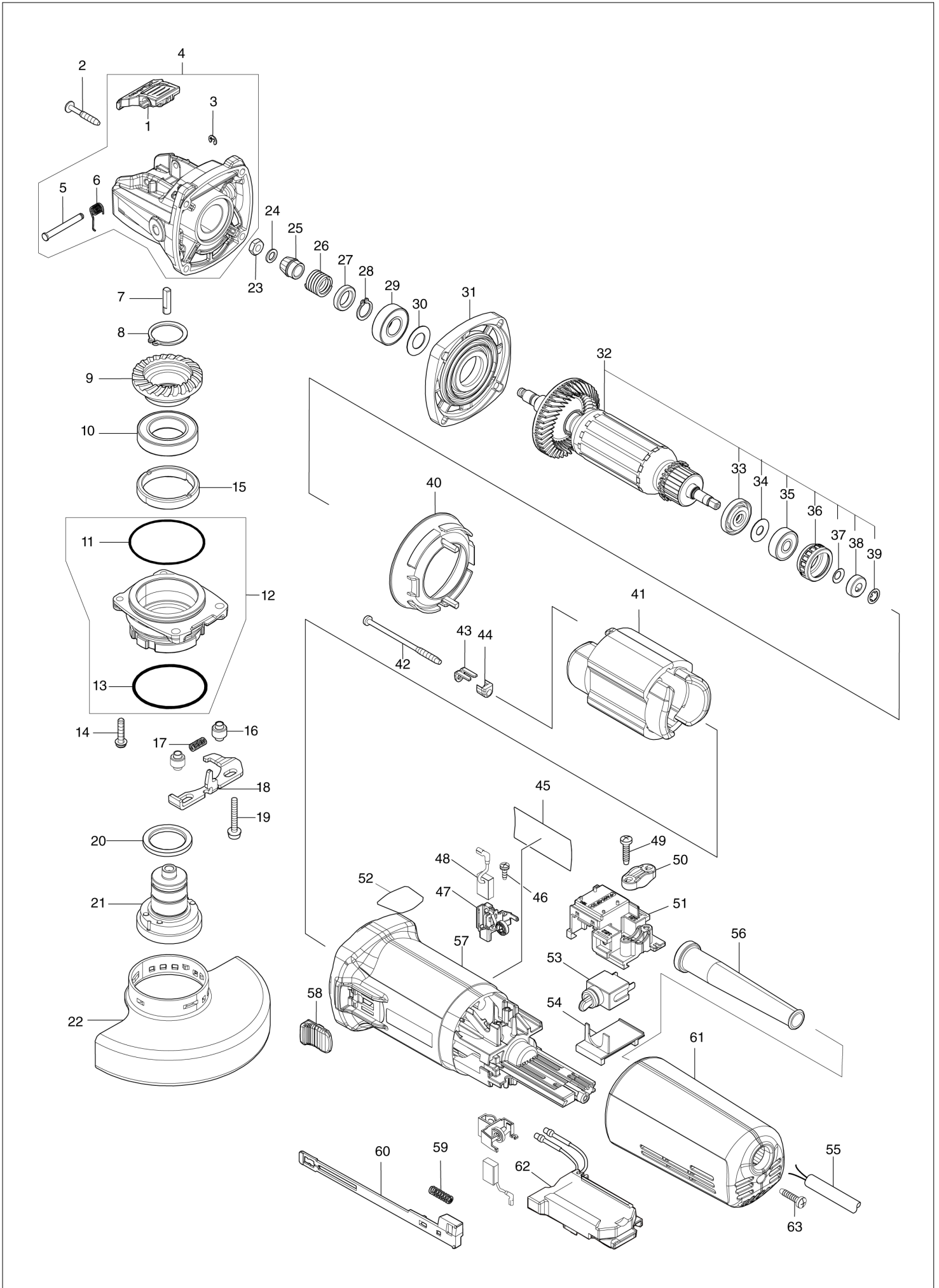
Diagram / Parts List

GA5080R

125MM ANGLE GRINDER



(TH) GA5080R / 125MM ANGLE GRINDER



TH	THAILAND
----	----------

GA5080R / 125MM ANGLE GRINDER

Item	Sub	Parts No.	Parts Description	Qty	I/C	E/C No.	Close No.	Remark
001		459967-3	LEVER	1				
002		266257-5	TAPPING SCREW 4X28	4				
003		961017-7	STOP RING E-3	1				
004		136441-5	GEAR HOUSING ASSEMBLY	1				
	D10		INC. 1,3,5,6					
005		256935-5	HEADED PIN 4	1				
006		232576-1	TORSION SPRING 5	1				
007		327460-4	SHAFT	1				
008		961104-2	RETAINING RING S-24	1				
009		227897-4	SPIRAL BEVEL GEAR 38	1				
010		210208-0	BALL BEARING 6905DDW	1				
011		213A03-3	O-RING 50	1			DH534	
011-1		213A03-3	O-RING 50	1	O	DH534		
012		136446-5	BEARING BOX ASSEMBLY	1				
	D10		INC. 11,13					
013		213783-5	O-RING 48	1				
014		911138-5	P.H.SCREW M4X20 WITH WR	2				
015		285045-1	BEARING RETAINER 36-43	1				
016		327322-6	SLEEVE 4	2				
017		232490-1	COMPRESSION SPRING 4	1				
018		347615-5	LEVER	1				
019		911159-7	PAN HEAD SCREW M4X30	2				
020		327459-9	RING 25	1				
021		127428-8	SPINDLE ASSEMBLY	1				
022		347618-9	WHEEL COVER 125	1				
023		931303-0	HEX. NUT M6	1				
024		253077-6	FLAT WASHER 6	1				
025		227896-6	SPIRAL BEVEL GEAR 11	1				
026		233901-9	LOCK SPRING 12	1				
027		257010-0	RING 12	1				
028		961052-5	RETAINING RING (EXT) S-12	1				
029		211142-7	BALL BEARING 6001LLB	1				
030		253084-9	FLAT WASHER 12	1				
031		317359-1	GEAR HOUSING COVER	1				
032		511A19-5	ARMATURE ASSEMBLY 220-240V	1			D9053	
	C10	240033-5	FAN 57	1			D9053	
	D10		INC. 33-39				D9053	
032-1		510515-4	ARMATURE ASS'Y 220-240V	1	<	D9053		
	C10	240033-5	FAN 57	1		D9053		
	D10		INC. 33-39			D9053		
033		681656-4	INSULATION WASHER	1				
034		253823-7	FLAT WASHER 7	1				
035		210027-4	BALL BEARING 627DDW	1				
036		421738-8	LABYRINTH RUBBER RING 22	1			D9053	
036-1		422750-1	LABYRINTH RUBBER RING 22	1	<	D9053		
037		267756-0	WAVE WASHER 6	1				
038		688117-5	MAGNET SLEEVE	1				
039		259039-2	SELF LOCK 6	1				
040		413076-2	BAFFLE PLATE	1				
041		626503-2	FIELD 220-240V	1			DH253	
041-1		621C19-0	FIELD 220-240V	1	S	DH253		
042		266258-3	TAPPING SCREW 4X70	2				
043		344871-8	RETAINER	2				
044		417237-6	INSULATION COVER	2			DH253	
045		811K73-2	GA5080R NAME PLATE	1				
046		266256-7	TAPPING SCREW PT3X10	4				
047		643516-8	BRUSH HOLDER	2				
048		194999-0	A.C. CARBON BRUSH SET CB-318	1			DV721	
048-1		191978-9	A.C. CARBON BRUSH CB-318	1	O	DV721		
049		265995-6	TAPPING SCREW 4X18	2				
050		687053-2	STRAIN RELIEF	1			DS354	
050-1		687063-9	CORD CLAMP	1	S	DS354		
051		638636-1	SWITCH BLOCK	1				
052		813900-3	SJS MARK LABEL	1			DR881	
053		651418-4	SWITCH ST115A-40	1			DB412	

A:GA5080R(H)

Interchange
 O : Yes
 X : No
 < : the new part can be substituted for the current.
 > : the current part can be substituted for the new.
 S : Interchangeable as a set.

