



TH	THAILAND
----	----------

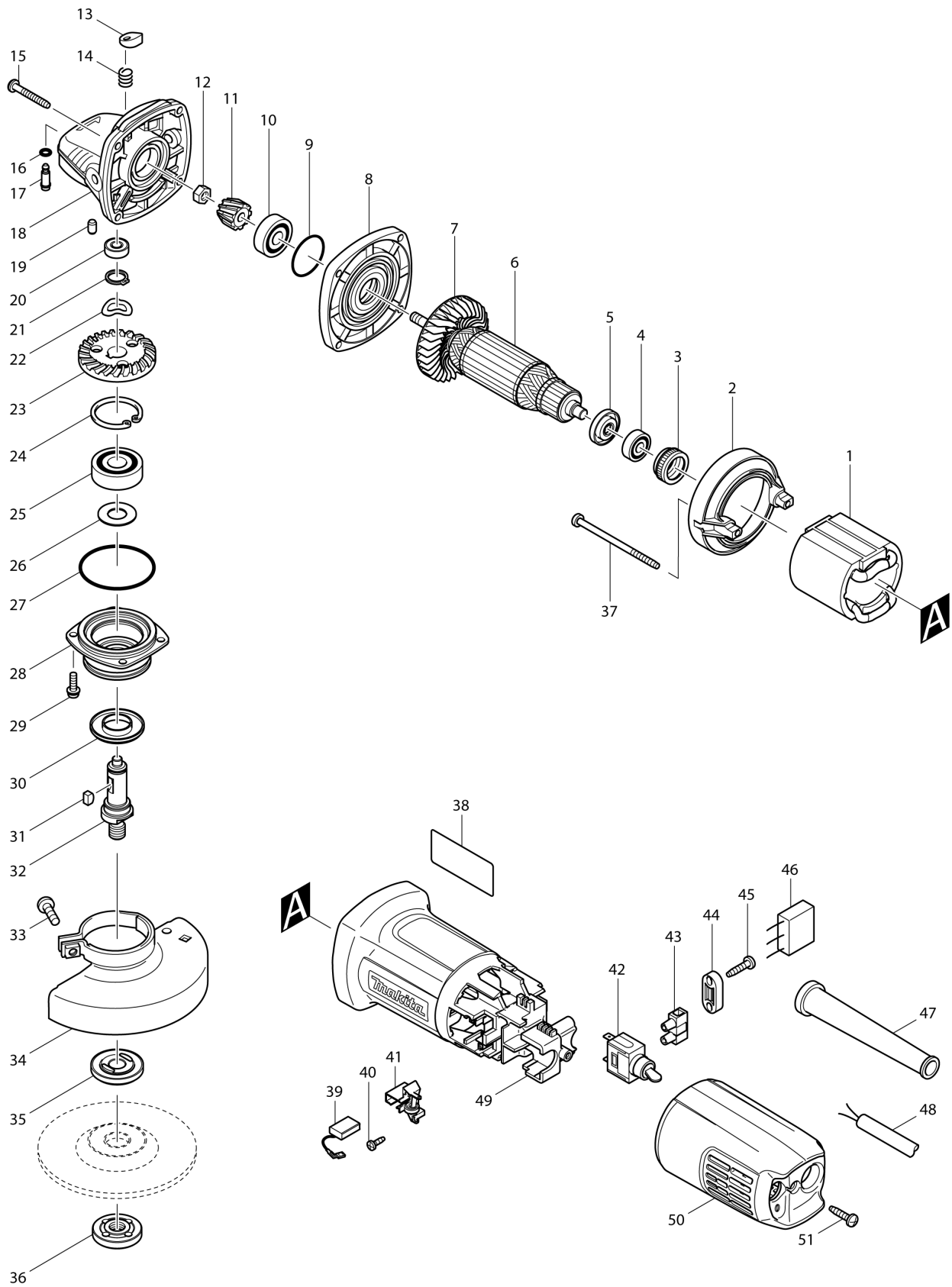
Diagram / Parts List

9553B

100MM ANGLE GRINDER



(TH) 9553B / 100MM ANGLE GRINDER



TH	THAILAND
-----------	-----------------

9553B / 100MM ANGLE GRINDER

Item	Sub	Parts No.	Parts Description	Qty	I/C	E/C No.	Close No.	Remark
001		621718-6	FIELD 220-240V	1			B0772	
001-1		621718-6	FIELD 220-240V	1	O	B0772		
002		418795-5	BAFFLE PLATE	1			B9330	
002-1		457793-4	BAFFLE PLATE	1	<	B9330		
003		421868-5	LABYRINTH RUBBER RING 19	1			DD769	
003-1		422768-2	LABYRINTH RUBBER RING19	1	<	DD769		
004		210034-7	BALL BEARING 607LLB	1			88786	
004-1		211021-9	BALL BEARING 607LLB	1	O	88786		
005		681636-0	INSULATION WASHER	1				
006		515619-7	ARMATURE ASS'Y 220-240V	1			88786	
	D10		INC. 4,5,7				88786	
006-1		510086-1	ARMATURE ASS'Y 220-240V	1	O	88786		
	D10		INC. 4,5,7			88786		
007		240076-7	FAN 56	1				
008		317821-6	GEAR HOUSING COVER	1				
009		213445-5	O-RING 26	1				
010		210071-1	BALL BEARING 629LLB	1			74229	
010-1		210053-3	BALL BEARING 629LLB	1	<	74229	76219	
010-2		210042-8	BALL BEARING 629LLB	1	O	76219		
011		227471-8	SPIRAL BEVEL GEAR 11	1				
012		252186-8	HEX. NUT M6	1				
013		417771-6	PIN CAP	1				
014		233376-2	COMPRESSION SPRING 8	1				
015		266361-0	TAPPING SCREW 4X30	4			C0991	
015-1		265654-2	TAPPING SCREW 4X30	4	O	C0991		
016		213960-9	O RING 5	1				
017		256486-8	SHOULDER PIN 4	1				
018		317814-3	GEAR HOUSING	1			C7917	
018-1		318051-2	GEAR HOUSING	1	O	C7917		
019		263002-9	RUBBER PIN 4	1				
020		210033-9	BALL BEARING 696ZZ	1			88786	
020-1		210006-2	BALL BEARING 696ZZ	1	O	88786		
021		961052-5	RETAINING RING (EXT) S-12	1				
022		267794-2	WAVE WASHER 12	1				
023		227472-6	SPIRAL BEVEL GEAR 36	1			76502	
023-1		227506-5	SPIRAL BEVEL GEAR 36	1	<	76502		
024		962151-6	RETAINING RING R-32	1				
025		211129-9	BALL BEARING 6201DDW	1				
026		267238-2	FLAT WASHER 12	1				
027		213622-9	O RING 45	1				
028		317819-3	BEARING BOX	1				
029		265099-4	PAN HEAD SCREW M4X14	4				
030		345464-4	LABYRINTH RING	1				
031		254011-9	WOODRUFF KEY 4	1				
032		324488-3	SPINDLE	1				
033		265103-9	PAN HEAD SCREW M5X14	1				
034		125266-2	WHEEL COVER 100 ASSEMBLY	1			B6931	
	D10		INC. 33				B6931	
034-1		125266-2	WHEEL COVER 100 ASSEMBLY	1	O	B6931		
	D10		INC. 33			B6931		
035		224314-5	INNER FLANGE 30	1				
036		224559-5	LOCK NUT 10-30	1				
037		266325-4	TAPPING SCREW 4X70	2			C0958	
037-1		265657-6	TAPPING SCREW 4X70	2	O	C0958		
038		861652-0	9553B NAME PLATE	1				
039		194074-2	CARBON BRUSH CB-325	1			81116	
039-1		194486-9	CARBON BRUSH CB-325/CB-329	1	O	81116	85070	
039-2		195002-0	CARBON BRUSH SET CB-325/329	1	<	85070		
040		266007-8	TAPPING SCREW BIND PT 3X10	4				
041		643760-7	BRUSH HOLDER	2				
042		651427-3	SWITCH STL115ADT-D	1			C2203	
042-1		651065-1	SWITCH ST115A-TB-S2	1	O	C2203		
043		654532-5	TERMINAL BLOCK 1P	1				
044A		687140-7	STRAIN RELIEF	1			DU603	
044B		687140-7	STRAIN RELIEF	1			DE694	

A:9553B(H)
B:9553BX(H)

Interchange
O : Yes
X : No
< : the new part can be substituted for the current.
> : the current part can be substituted for the new.
S : Interchangeable as a set.

