



TH	THAILAND
----	----------

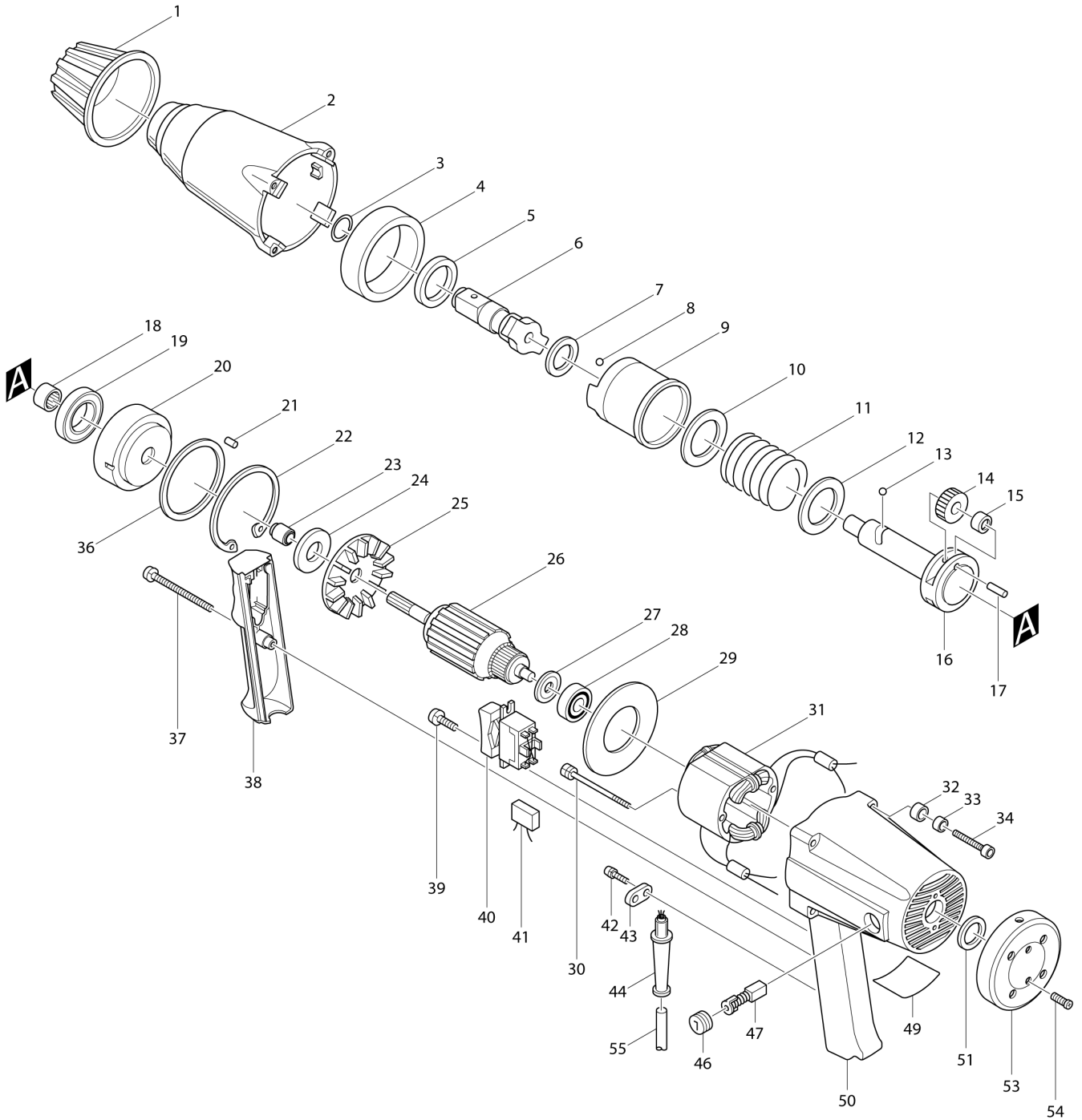
Diagram / Parts List

6906

IMPACT WRENCH



(TH) 6906 / IMPACT WRENCH



TH	THAILAND
-----------	-----------------

6906 / IMPACT WRENCH

Item	Sub	Parts No.	Parts Description	Qty	I/C	E/C No.	Close No.	Remark
001		421112-0	BUMPER	1				
002-1		156087-1	HAMMER CASE	1			DK061	
	C10	213360-3	OIL SEAL 25	1			DK061	
	C21	257535-4	SLEEVE 25	1			DK061	
002-2		141R37-7	HAMMER CASE COMPLETE	1	O	DK061		
	C10	213360-3	OIL SEAL 25	1		DK061		
	C21	257535-4	SLEEVE 25	1		DK061		
003		231920-9	RING SPRING 16	1				
004		257040-1	RING 65	1				
005		253939-8	FLAT WASHER 25	1				
006		325586-6	ANVIL	1			64164	
006-1		324231-0	ANVIL	1	<	64164		
007		261023-5	WASHER 27	1				
008		216008-6	STEEL BALL 4	30				
009		325318-1	HAMMER	1				
010		253764-7	FLAT WASHER 30	1				
011		231135-8	COMPRESSION SPRING 37	1				
012		253765-5	FLAT WASHER 36	1				
013		216009-4	STEEL BALL 7.1	2				
014		221243-3	SPUR GEAR 29	2				
015		212011-5	NEEDLE BEARING 609	2				
016		325322-0	SPINDLE	1				
017		256041-6	PIN 6	2				
018		212151-9	NEEDLE BEARING 1412	1				
019		211441-7	BALL BEARING 3009	1				
020		221242-5	INTERNAL GEAR 65	1				
021		256040-8	PIN 5	4				
022		962352-6	RETAINING RING R-75	1				
023		216103-2	INNER SLEEVE 1016	1				
024		253180-3	FLAT WASHER 10	1				
025		241609-1	FAN 73	1				
026C1		512883-1	ARMATURE ASS'Y 220V	1				
	D10		INC. 23-28					
027		681613-2	INSULATION WASHER	1				
028		211031-6	BALL BEARING 608LLB	1				
029		413008-9	BAFFLE PLATE	1				
030-1		265350-2	+ HEX. BOLT M5X70	2				
031C		622285-4	FIELD 220V	1				
032		253929-1	CUP WASHER 5	4				
033		262001-8	URETHANE RING 5	4				
034		922262-9	HEX. SOCKET HEAD BOLT M5X40	4				
036		253774-4	FLAT WASHER 65	1				
037		911173-3	PAN HEAD SCREW M4X45	1				
038-1		414959-9	HANDLE COVER	1				
039		911106-8	PAN HEAD SCREW M4X8	1				
040-2		651564-3	SWITCH SL220SD-4	1			DB412	
040-3		651564-3	SWITCH SL220SD-4	1	O	DB412		
042-1		911133-5	PAN HEAD SCREW M4X18	2				
043		687000-3	STRAIN RELIEF	1			DU465	
043-1		687001-1	STRAIN RELIEF	1	S	DU465		
044C		682505-8	CORD GUARD 10-90	1				
046		643600-9	BRUSH HOLDER CAP 6-10	2				
047		181030-1	CARBON BRUSH CB-100	1			85070	
047-1		B-80298	CARBON BRUSH SET CB-100A	1	<	85070		
049		815088-5	NAME PLATE 6906	1				
050-2		159414-1	MOTOR HOUSING	1				
	C10	643603-3	BRUSH HOLDER 6-10	2				
051		262010-7	URETHANE RING 18	1				
053-1		284065-2	REAR COVER	1				
054-1		922221-3	HEX. SOCKET HEAD BOLT M5X16	2				
055S1		691216-4	POWER SUPPLY CORD 1.25-2-2.5	1			DU465	
055S2		692171-3	POWER SUPPLY CORD 1.5-2-2.5	1	S	DU465		
400-1		273474-0	GRIP 37	1				
401		312700-3	GRIP BASE	1				
402		345086-0	BELT	1				

A:6906(H)

Interchange
 O : Yes
 X : No
 < : the new part can be substituted for the current.
 > : the current part can be substituted for the new.
 S : Interchangeable as a set.

