



| | |
|----|----------|
| TH | THAILAND |
|----|----------|

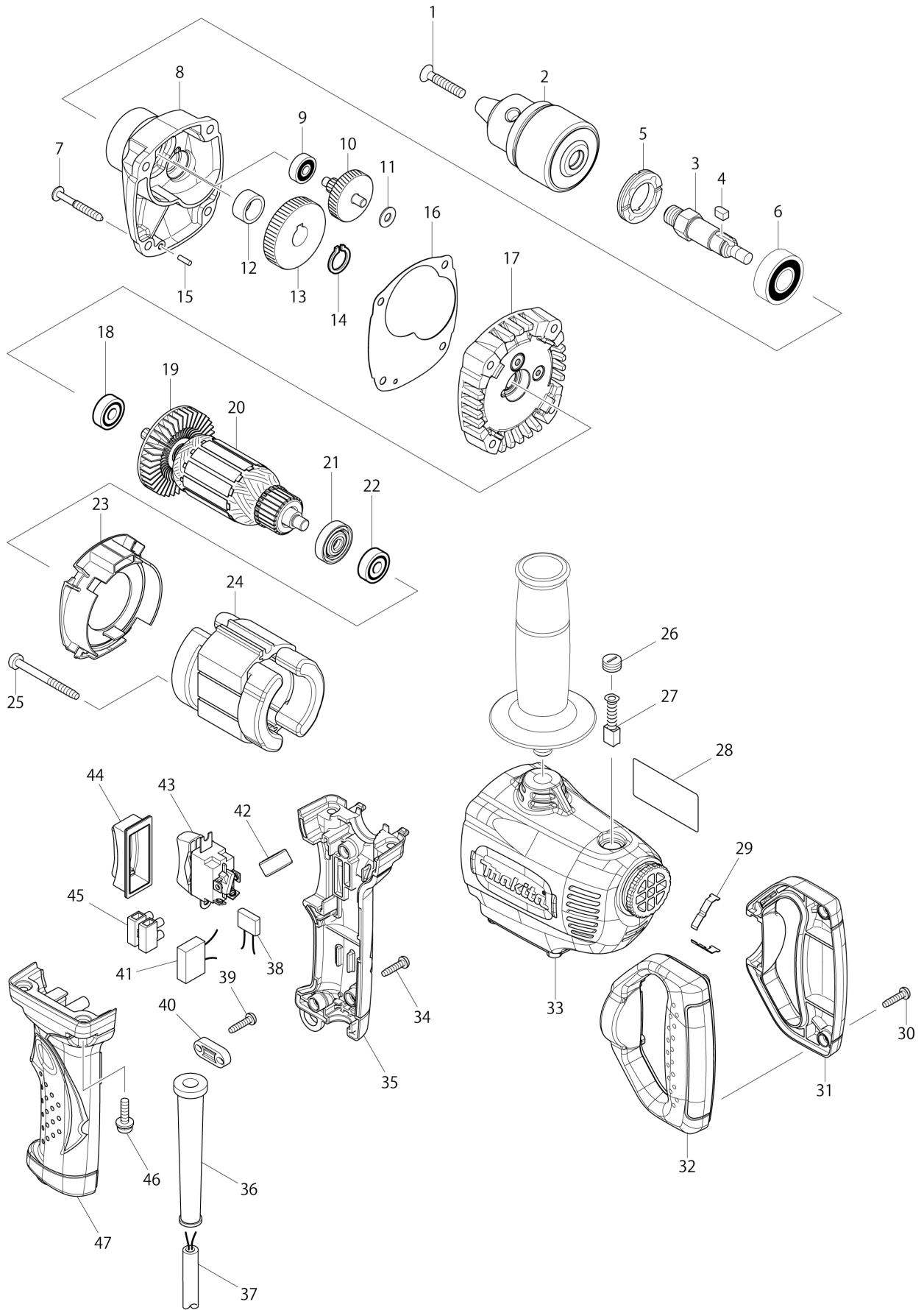
Diagram / Parts List

DS5000

16MM DRILL



(TH) DS5000 / 16MM DRILL



| | |
|-----------|-----------------|
| TH | THAILAND |
|-----------|-----------------|

DS5000 / 16MM DRILL

| Item | Sub | Parts No. | Parts Description | Qty | I/C | E/C No. | Close No. | Remark |
|-------|-----|-----------|------------------------------|-----|-----|---------|-----------|--------|
| 001 | | 251425-3 | - FLAT HEAD SCREW M6X22 | 1 | | | | |
| 002 | | 763066-8 | DRILL CHUCK S16 | 1 | | | | |
| 003 | | 325494-1 | SPINDLE | 1 | | | | |
| 004 | | 254211-1 | KEY 5 | 1 | | | | |
| 005 | | 285807-7 | BEARING RETAINER 22-36 | 1 | | | | |
| 006 | | 211206-7 | BALL BEARING 6202LLB | 1 | | | | |
| 007 | | 266211-9 | TAPPING SCREW 5X40 | 4 | | | | |
| 008 | | 140620-9 | GEAR HOUSING COMPLETE | 1 | | | | |
| 009 | | 211016-2 | BALL BEARING 626LLB | 1 | | | | |
| 010 | | 226028-2 | GEAR COMPLETE 7-41 | 1 | | | | |
| 011 | | 261008-1 | FIBER WASHER 6 | 1 | | | | |
| 012 | | 257018-4 | RING 15 | 1 | | | | |
| 013 | | 221261-1 | SPUR GEAR 47 | 1 | | | | |
| 014 | | 961054-1 | RETAINING RING S-14 | 1 | | | | |
| 015 | | 256180-2 | PIN 3 | 1 | | | | |
| 016 | | 452066-0 | GASKET | 1 | | | | |
| 017 | | 140619-4 | GEAR HOUSING COVER COMPLETE | 1 | | | | |
| 018 | | 211031-6 | BALL BEARING 608LLB | 1 | | | | |
| 019 | | 241850-6 | FAN 60 | 1 | | | | |
| 020 | | 513808-8 | ARMATURE ASS'Y 220V | 1 | | | | |
| | D10 | | INC. 18,19,21,22 | | | | | |
| 021 | | 681659-8 | INSULATION WASHER | 1 | | | | |
| 022 | | 211031-6 | BALL BEARING 608LLB | 1 | | | | |
| 023 | | 452063-6 | BAFFLE PLATE | 1 | | | | |
| 024 | | 525833-7 | FIELD ASS'Y 220V | 1 | | | | |
| | C10 | 654100-4 | RING TERMINAL | 2 | | | | |
| | C20 | 654501-6 | CONNECTOR P-1.25 | 2 | | | | |
| 025 | | 266095-5 | TAPPING SCREW 5X55 | 2 | | | | |
| 026 | | 643550-8 | BRUSH HOLDER CAP 5-8 | 2 | | | | |
| 027 | | B-80391 | CARBON BRUSH SET CB-411A | 1 | | | | |
| 028 | | 868458-7 | DS5000 NAME PLATE | 1 | | | | |
| 029 | | 232260-8 | LEAF SPRING | 2 | | | | |
| 030 | | 265995-6 | TAPPING SCREW 4X18 | 4 | | | | |
| 031 | | 188921-7 | HANDLE SET | 1 | | | | |
| | D10 | | INC. 32 | | | | | |
| 032 | | 188921-7 | HANDLE SET | 1 | | | | |
| | D10 | | INC. 31 | | | | | |
| 033 | | 140621-7 | MOTOR HOUSING COMPLETE | 1 | | | | |
| | C10 | 643455-2 | BRUSH HOLDER 6X9 | 2 | | | | |
| 034 | | 265995-6 | TAPPING SCREW 4X18 | 3 | | | | |
| 035 | | 188920-9 | SWITCH HANDLE COVER SET | 1 | | | | |
| | D10 | | INC. 47 | | | | | |
| 036 | | 682566-8 | CORD GUARD 10 | 1 | | | DU529 | |
| 036-1 | | 682559-5 | CORD GUARD 8 | 1 | S | DU529 | | |
| 037 | | 691015-4 | POWER SUPPLY CORD 0.75-2-2.5 | 1 | | | DU529 | |
| 037-1 | | 660518-9 | POWER SUPPLY CORD 0.75-2-2.5 | 1 | S | DU529 | | |
| 039 | | 265995-6 | TAPPING SCREW 4X18 | 2 | | | | |
| 040 | | 687053-2 | STRAIN RELIEF | 1 | | | DU529 | |
| 040-1 | | 687052-4 | STRAIN RELIEF | 1 | S | DU529 | | |
| 043 | | 651564-3 | SWITCH SL220SD-4 | 1 | | | DB412 | |
| 043-1 | | 651564-3 | SWITCH SL220SD-4 | 1 | O | DB412 | | |
| 044 | | 421297-2 | DUST COVER | 1 | | | | |
| 046 | | 911233-1 | PAN HEAD SCREW M5X20 | 4 | | | | |
| 047 | | 188920-9 | SWITCH HANDLE COVER SET | 1 | | | | |
| | D10 | | INC. 35 | | | | | |
| A01 | | 152492-0 | GRIP 36 COMPLETE | 1 | | | | |
| A02 | | 763432-9 | CHUCK KEY S13 | 1 | | | | |
| | | | | | | | | |
| | | | | | | | | |
| | | | | | | | | |
| | | | | | | | | |
| | | | | | | | | |
| | | | | | | | | |
| | | | | | | | | |
| | | | | | | | | |
| | | | | | | | | |

| | |
|--------------------|--|
| <p>A:DS5000(H)</p> | <p>Interchange O : Yes X : No < : the new part can be substituted for the current. > : the current part can be substituted for the new. S : Interchangeable as a set.</p> |
|--------------------|--|