



TH	THAILAND
----	----------

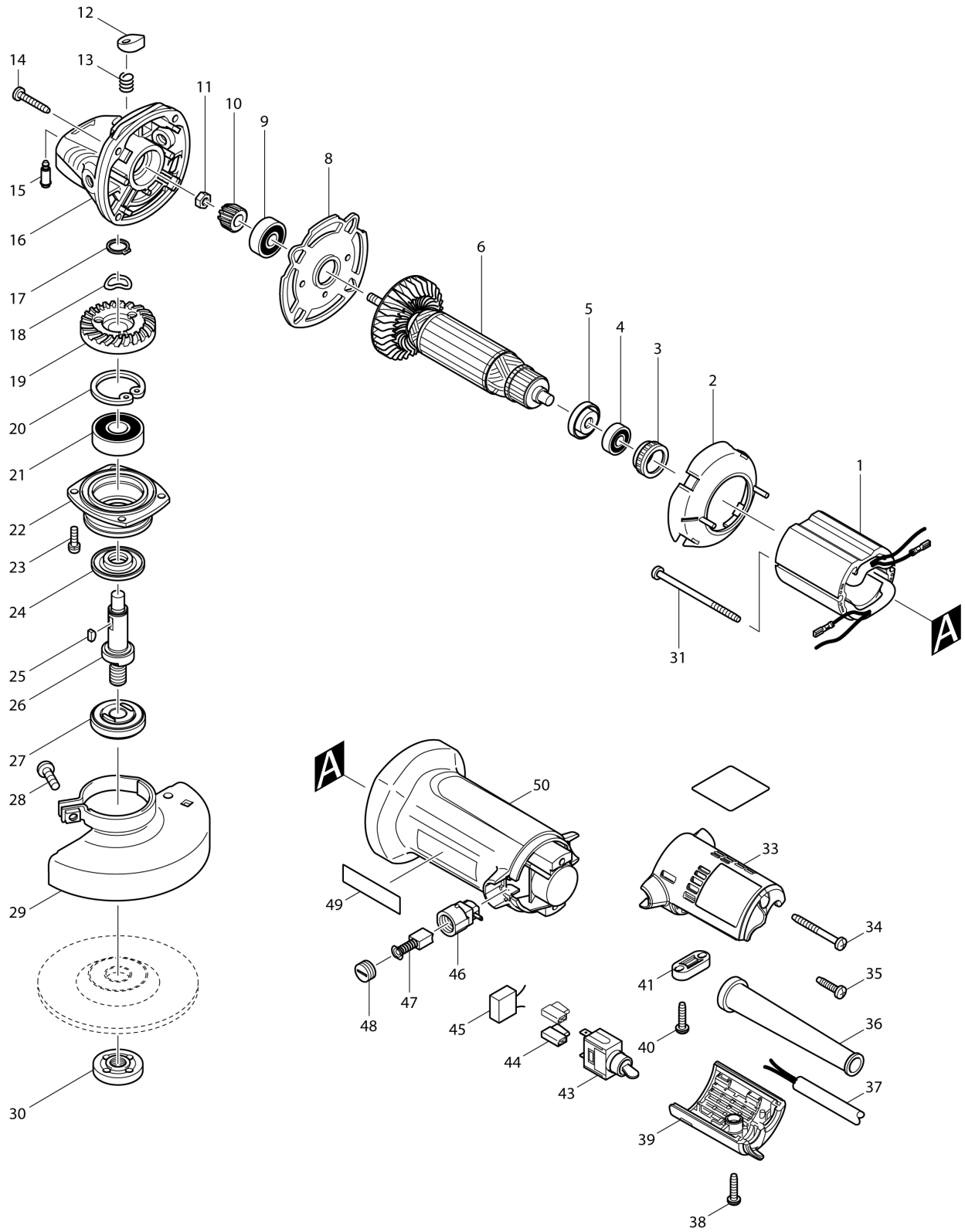
Diagram / Parts List

9533B

100MM ANGLE GRINDER



(TH) 9533B / 100MM ANGLE GRINDER



TH	THAILAND
-----------	-----------------

9533B / 100MM ANGLE GRINDER

Item	Sub	Parts No.	Parts Description	Qty	I/C	E/C No.	Close No.	Remark
001		623503-3	FIELD 220-240V	1				
002		418584-8	BAFFLE PLATE	1				
003		421494-0	RUBBER RING 19	1				
004		210017-7	BALL BEARING 607DDW	1				
005		681636-0	INSULATION WASHER	1				
006		517588-8	ARMATURE ASS'Y 220V	1				
	D10		INC. 3-5,7					
007		240071-7	FAN 54	1				
008		285712-8	BEARING RETAINER 40	1				
009		210032-1	BALL BEARING 628DDW	1				
010		227461-1	SPIRAL BEVEL GEAR 11	1				
011		252137-1	HEX. NUT M5-8	1				
012		415491-6	PIN CAP	1				
013		233072-2	COMPRESSION SPRING 8	1				
014		265999-8	TAPPING SCREW 4X25	4				
015		256437-1	PIN 4	1				
016		153846-4	GEAR HOUSING COMPLETE	1				
017		961052-5	RETAINING RING (EXT) S-12	1				
018		253904-7	WAVE WASHER 12	1				
019		227467-9	SPIRAL BEVEL GEAR 36	1				
020		962151-6	RETAINING RING R-32	1				
021		211149-3	BALL BEARING 6201DDW	1				
022		316600-9	BEARING BOX	1				
023		911121-2	PAN HEAD SCREW M4X14	4			75256	
023-1		265168-1	PAN HEAD SCREW M4X14	4	<	75256		
024		415492-4	LABYRINTH RING	1				
025		254011-9	WOODRUFF KEY 4	1			D4888	
025-1		254043-6	KEY 4	1	S	D4888		
026		324451-6	SPINDLE	1			D4888	
026-1		327747-4	SPINDLE	1	S	D4888		
027		224314-5	INNER FLANGE 30	1				
028		251391-4	PAN HEAD SCREW M5X16	1				
029		165187-6	WHEEL COVER	1				
030		224559-5	LOCK NUT 10-30	1				
031		266004-4	TAPPING SCREW 4X70	2				
032		861363-7	NAME PLATE 9533B	1				
033		183780-4	UPPER LOWER REAR COVER SET	1				
	D10		INC. 39					
034		266048-4	TAPPING SCREW 4X40	1				
035		265995-6	TAPPING SCREW 4X18	1				
036		682566-8	CORD GUARD 10	1			DU529	
036-1		682559-5	CORD GUARD 8	1	S	DU529		
037		691015-4	POWER SUPPLY CORD 0.75-2-2.5	1			DU529	
037-1		660518-9	POWER SUPPLY CORD 0.75-2-2.5	1	S	DU529		
038		265995-6	TAPPING SCREW 4X18	1				
039		183780-4	UPPER LOWER REAR COVER SET	1				
	D10		INC. 33					
040		265995-6	TAPPING SCREW 4X18	2				
041		687053-2	STRAIN RELIEF	1			DU529	
041-1		687052-4	STRAIN RELIEF	1	S	DU529		
043		651426-5	SWITCH STL115ADF-AD	1			C2203	
043-1		651068-5	SWITCH ST115A-TB-F1	1	O	C2203		
044		686039-3	RECEPTACLE SLEEVE	2				
046		643922-7	BRUSH HOLDER	2				
047		A-88537	CARBON BRUSH CB-411A	1			83185	
047-1		B-80167	CARBON BRUSH SET CB-411A	1	O	83185	85070	
047-2		B-80391	CARBON BRUSH SET CB-411A	1	<	85070		
048		643985-3	BRUSH HOLDER CAP	2				
049		819063-3	MAKITA LABEL	1				
050		183788-8	MOTOR HOUSING	1				
	D10		INC. 49					
A01		A-80852	GRINDING WHEEL 100X6X16	1		83787		
A02		782401-1	LOCK NUT WRENCH 20	1				
A03		A-88537	CARBON BRUSH CB-411A	2			83185	
A03-1		B-80167	CARBON BRUSH SET CB-411A	2	O	83185	85070	

A:9533B(H)

Interchange
O : Yes
X : No
< : the new part can be substituted for the current.
> : the current part can be substituted for the new.
S : Interchangeable as a set.

