



TH	THAILAND
----	----------

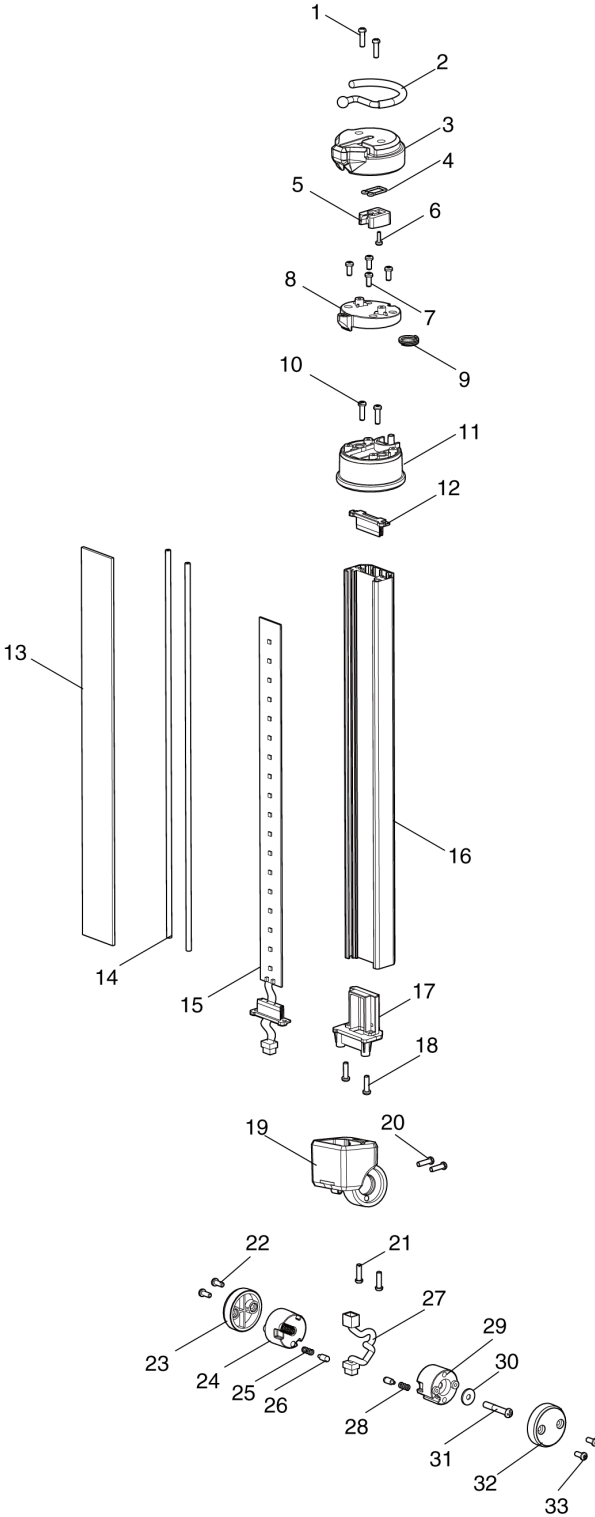
Diagram / Parts List

ML012G

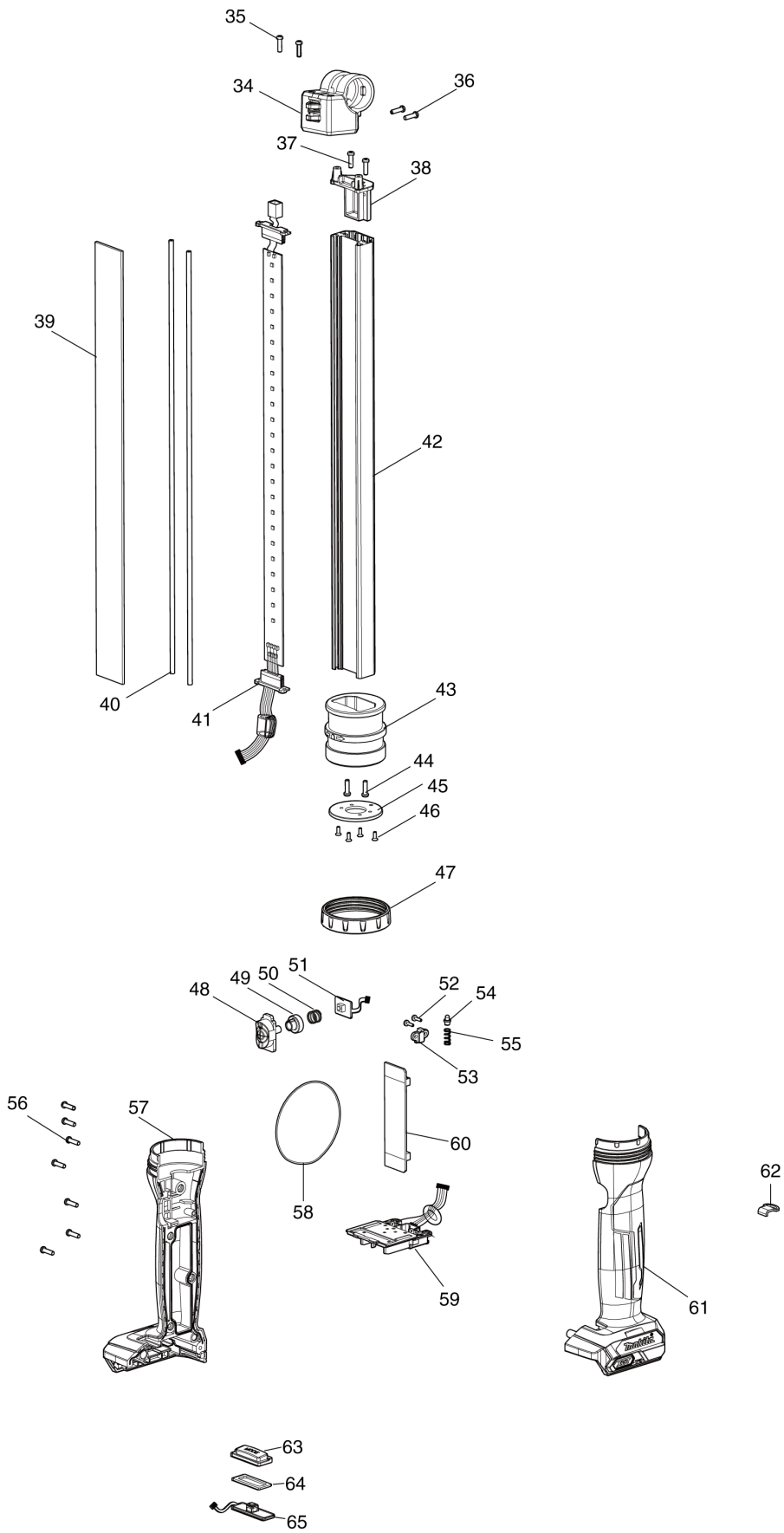
CORDLESS BAR LIGHT



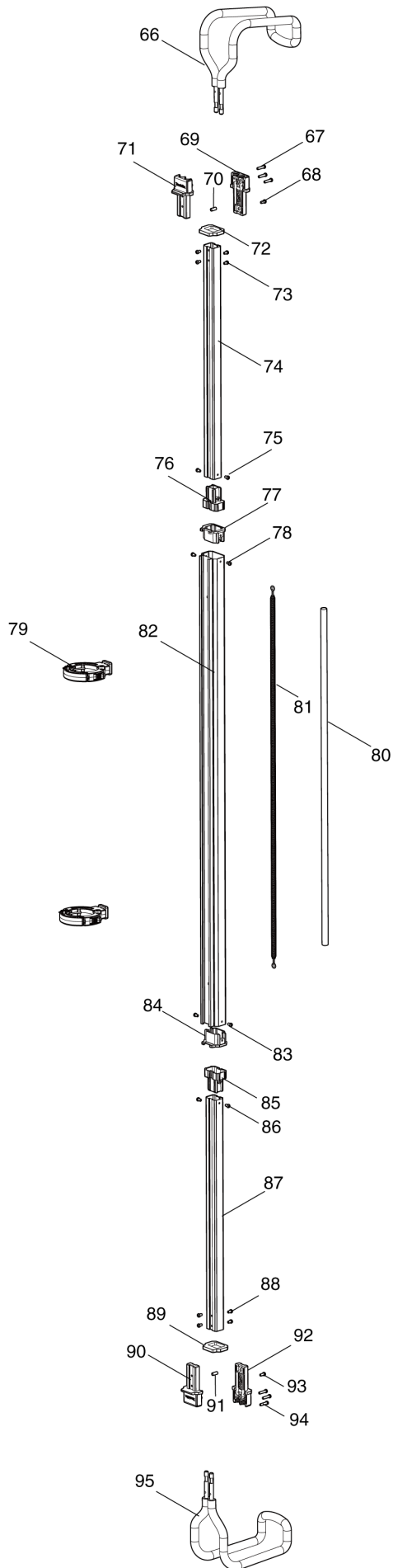
(TH) ML012G / CORDLESS BAR LIGHT



(TH) ML012G / CORDLESS BAR LIGHT



(TH) ML012G / CORDLESS BAR LIGHT



ML012G / CORDLESS BAR LIGHT

Item	Sub	Parts No.	Parts Description	Qty	I/C	E/C No.	Close No.	Remark
001		GM00001012	SCREW 3X12 PB BLACK ZN	2				
002		GM00002543	TOP HOOK	1				
003		GM00002542	TOP SUPPORT B	1				
004		GM00002541	TOP HOOK SPRING	1				
005		GM00002540	HOOK SPRING COVER	1				
006		GM00001322	SCREW 2.6X8 PB	1				
007		GM00001332	SCREW 3 X 8 PB	4				
008		GM00002539	HOOK SUPPORT	1				
009		GM00002284	RING	1				
010		GM00002546	SCREW 3.2X12 PM	2				
011		GM00002535	TOP SUPPORT A	1				
012		GM00002534	LENS CUSHION B	1				
013		GM00002538	LENS B	1				
014		GM00002537	LENS O RING B	2				
015		GM00002536	LED PCBA ASSY-B	1				
016		GM00002533	ALUMINUM COVER B	1				
017		GM00002532	MIDDLE SUPPORT B1	1				
018		GM00002546	SCREW 3.2X12 PM	2				
019		GM00002531	MIDDLE SUPPORT B2	1				
020		GM00001012	SCREW 3X12 PB BLACK ZN	2				
021		GM00001012	SCREW 3X12 PB BLACK ZN	2				
022		GM00001332	SCREW 3 X 8 PB	2				
023		GM00002526	SPINDLE COVER	1				
024		GM00002527	SPINDLE L	1				
025		GM00002224	COMPRESSION SPRING	1				
026		GM00002525	NEEDLE B	2				
027		GM00002528	2P HOUSING CONNECTOR	1				
028		GM00002224	COMPRESSION SPRING	1				
029		GM00002529	SPINDLE R	1				
030		GM00002530	FLAT WASHER	1				
031		GM00002547	SCREW 4X26 PM	1				
032		GM00002526	SPINDLE COVER	1				
033		GM00001332	SCREW 3 X 8 PB	2				
034		GM00002524	MIDDLE SUPPORT A2	1				
035		GM00001012	SCREW 3X12 PB BLACK ZN	2				
036		GM00001012	SCREW 3X12 PB BLACK ZN	2				
037		GM00002546	SCREW 3.2X12 PM	2				
038		GM00002523	MIDDLE SUPPORT A1	1				
039		GM00002522	LENS A	1				
040		GM00002521	LENS O RING A	2				
041		GM00002520	LED PCBA ASSY-A	1				
042		GM00002519	ALUMINUM COVER A	1				
043		GM00002518	BOTTOM SUPPORT	1				
044		GM00002546	SCREW 3.2X12 PM	2				
045		GM00002517	NEEDLE SUPPORT	1				
046		GM00002219	SCREW 2.6X7 KB	4				
047		GM00002511	LOCK RING	1				
048		GM00002516	ON/OFF SWITCH	1				
049		GM00002515	ON/OFF SWITCH SUPPORT	1				
050		GM00002514	SPRING	1				
051		GM00002512	ON/OFF SWITCH PCBA	1				
052		GM00001322	SCREW 2.6X8 PB	2				
053		GM00002510	NEEDLE COVER	1				
054		GM00002570	NEEDLE C	1				
055		GM00002569	SPRING	1				
056		GM00001012	SCREW 3X12 PB BLACK ZN	7				
057		GM00002503	HOUSING ASSY	1				
058		GM00002502	O RING	1				
059		GM00002501	BATTERY HOLDER ASSY	1				
060		GM00002504	MAIN PCBA ASSY	1				
061		GM00002503	HOUSING ASSY	1				
062		GM00002231	STRAP HOOK	1				
063		GM00002508	MODE SWITCH COVER	1				
064		GM00002507	MODE SWITCH HOLDER	1				
065		GM00002505	MODE SWITCH PCBA ASSY	1				

A:

Interchange
 O : Yes
 X : No
 < : the new part can be substituted for the current.
 > : the current part can be substituted for the new.
 S : Interchangeable as a set.

