



TH	THAILAND
----	----------

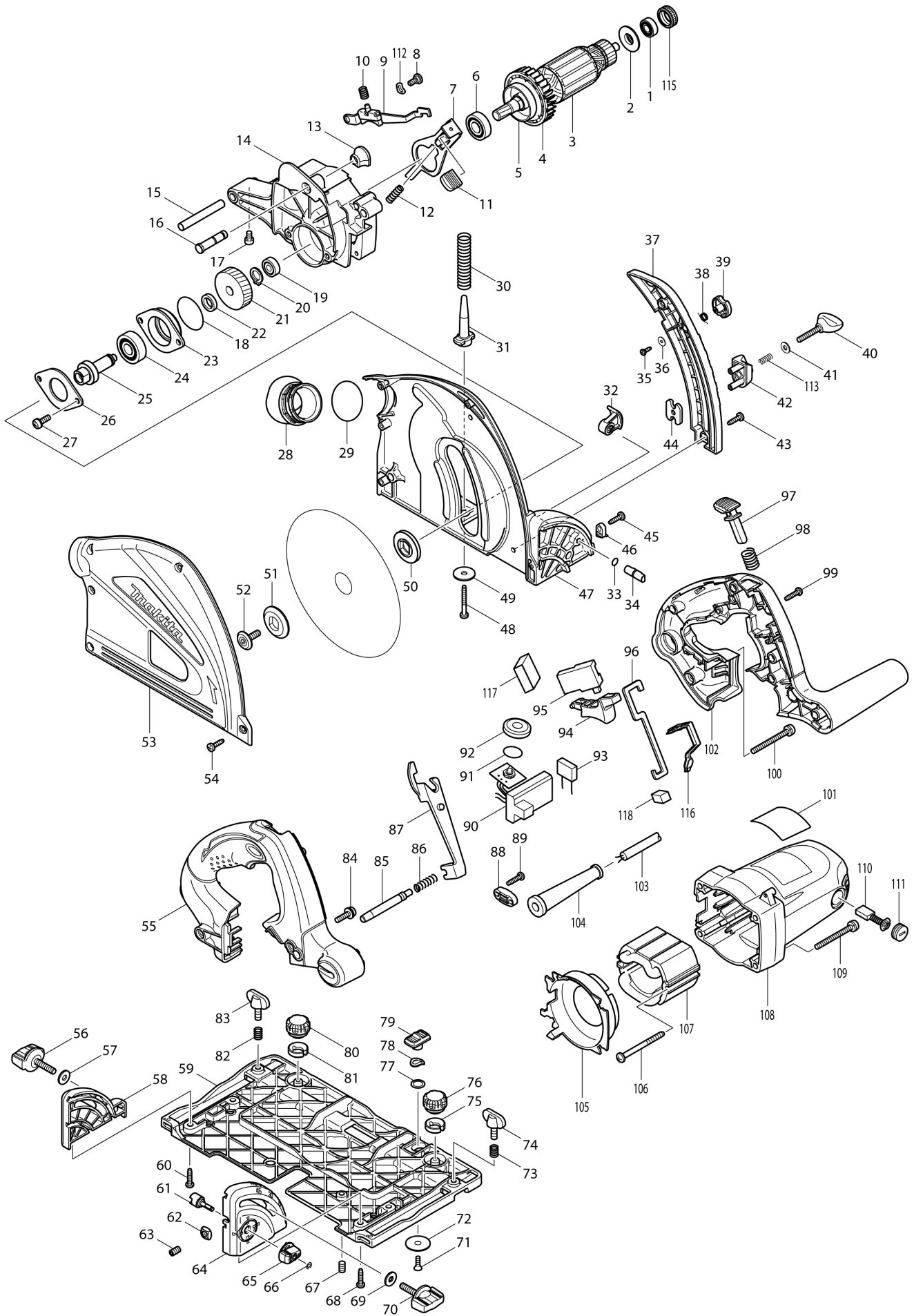
Diagram / Parts List

SP6000

PLUNGE CUT CIRCULAR SAW 165MM



(TH) SP6000 / PLUNGE CUT CIRCULAR SAW 165MM



TH	THAILAND
----	----------

SP6000 / PLUNGE CUT CIRCULAR SAW 165MM

Item	Sub	Parts No.	Parts Description	Qty	I/C	E/C No.	Close No.	Remark
001		210013-5	BALL BEARING 698VV	1				
002		681634-4	INSULATION WASHER	1				
003		513678-5	ARMATURE ASS'Y 220-240V	1				
	D10		INC. 1,2,4-6					
004		240091-1	FAN 60	1				
005		345767-6	DRUM	1				
006		211131-2	BALL BEARING 6001DDW	1				
007		345742-2	SHAFT LOCK	1				
008		265011-4	+ BINDING HEAD SCREW M5	1				
009		158096-6	SHOE COMPLETE	1			DN977	
009-1		345743-0	SHOE HOLDER	1	S	DN977		
010		233480-7	COMPRESSION SPRING 7	1				
011		286275-7	CAP	1			C0115	
011-1		286039-9	CAP	1	<	C0115		
012		233084-5	COMPRESSION SPRING 6	1				
013		286278-1	CAP	1			C0115	
013-1		286040-4	CAP	1	<	C0115		
014		158092-4	GEAR HOUSING COMPLETE	1			B7108	
	C10	263002-9	RUBBER PIN 4	1			B7108	
014-1		144586-5	GEAR HOUSING COMPLETE	1	O	B7108		
	C10	263002-9	RUBBER PIN 4	1		B7108		
015		324716-6	PIN 8	1			B7108	
015-1		326960-1	PIN 8	1	S	B7108	C0221	
015-2		324716-6	PIN 8	1	<	C0221	DH707	
015-3		327B66-0	PIN 8	1	O	DH707		
016		324708-5	STOPPER PIN 8	1				
017		265913-4	HEX. SOCKET HEAD BOLT M5X8	1			B7108	
017-1		265907-9	HEX. SOCKET HEAD BOLT M5X10	1	S	B7108		
018		213512-6	O RING 39	1				
019		211021-9	BALL BEARING 607LLB	1				
020		961052-5	RETAINING RING (EXT) S-12	1				
021		226637-7	HELICAL GEAR 39	1				
022		257010-0	RING 12	1				
023		318088-9	BEARING BOX	1				
024		211129-9	BALL BEARING 6201DDW	1				
025		324707-7	SPINDLE	1				
026		285689-7	BEARING RETAINER 55	1				
027		911221-8	PAN HEAD SCREW M5X16	2				
028		419620-3	DUST NOZZLE	1				
029		213460-9	O RING 35	1				
030		233479-2	COMPRESSION SPRING 11	1				
031		419624-5	SPRING HOLDER	1				
032		158095-8	LEVER 20 COMPLETE	1			C0115	
	C10	263002-9	RUBBER PIN 4	1			C0115	
032-1		144867-7	LEVER 20 COMPLETE	1	<	C0115		
	C10	263002-9	RUBBER PIN 4	1		C0115		
033		213021-5	O RING 5	1				
034		324710-8	PIN 8	1				
035		266007-8	TAPPING SCREW BIND PT 3X10	1				
036		253821-1	FLAT WASHER 3	1				
037		419625-3	DEPTH GUIDE	1			B7108	
037-1		457756-0	DEPTH GUIDE	1	O	B7108		
038		231665-9	TORSION SPRING 7	1				
039		419630-0	LOCK LEVER	1				
040		251867-1	THUMB SCREW M5X30	1				
041		941101-4	FLAT WASHER 5	1				
042		419623-7	STOPPER BLOCK	1				
043		266034-5	TAPPING SCREW CT 4X16	2				
044		345744-8	NUT PLATE	1				
045		266034-5	TAPPING SCREW CT 4X16	1				
046		419632-6	POSITION PLATE	1				
047-1		158547-9	BLADE CASE COMPLETE	1			C0115	
	C10	233025-1	COMPRESSION SPRING 2	2			C0115	
	C20	253874-0	FLAT WASHER 4	2			C0115	
	C30	259008-3	PUSH NUT 4	2			C0115	

A:SP6000(H)

Interchange
 O : Yes
 X : No
 < : the new part can be substituted for the current.
 > : the current part can be substituted for the new.
 S : Interchangeable as a set.

TH	THAILAND
----	----------

SP6000 / PLUNGE CUT CIRCULAR SAW 165MM

Item	Sub	Parts No.	Parts Description	Qty	I/C	E/C No.	Close No.	Remark
	C40	286277-3	CAP 14	2			C0115	
	C50	345747-2	SPACER PLATE	2			C0115	
047-2		144868-5	BLADE CASE COMPLETE	1	<	C0115	C2424	
	C10	233025-1	COMPRESSION SPRING 2	2		C0115	C2424	
	C20	253874-0	FLAT WASHER 4	2		C0115	C2424	
	C30	259008-3	PUSH NUT 4	2		C0115	C2424	
	C40	286277-3	CAP 14	2		C0115	C0115	
	C41	286041-2	CAP 14	2	<	C0115	C2424	
	C50	345747-2	SPACER PLATE	2		C0115	C2424	
047-3		140D56-6	BLADE CASE COMPLETE	1	O		C2424	
	C10	233025-1	COMPRESSION SPRING 2	2			C2424	
	C20	253874-0	FLAT WASHER 4	2			C2424	C2424
	C21	347392-9	PLATE	2	O		C2424	
	C30	259008-3	PUSH NUT 4	2			C2424	
	C41	286041-2	CAP 14	2	<		C2424	
	C50	345747-2	SPACER PLATE	2			C2424	
048		266053-1	TAPPING SCREW 4X35	1				
049		253010-8	FLAT WASHER 6	1				
050		224406-0	INNER FLANGE 35	1				C2507
050-1		224593-5	INNER FLANGE 35	1	O	C2507		
051		224405-2	OUTER FLANGE 35	1				B9825
051-1		224409-4	OUTER FLANGE 35	1	O	B9825		
052		266403-0	HEX. SOCKET HEAD BOLT M6	1				
053		318084-7	BLADE CASE COVER	1				C1259
053-1		319709-6	BLADE CASE COVER	1	S	C1259		
054		266034-5	TAPPING SCREW CT 4X16	5				
055		188197-6	HANDLE SET	1				
	D10		INC. 102					
056		265776-8	THUMB SCREW M6X26	1				
057		253111-2	FLAT WASHER 6	1				
058		419596-4	REAR ANGULAR GUIDE	1				
059-1		318179-6	BASE	1				
060		265995-6	TAPPING SCREW 4X18	2				
061		324731-0	STOPPER PIN	1				
062		252157-5	SQUARE NUT M6	1				
063		266085-8	H.S.SET SCREW(FLAT POINT)M6X10	1				B7108
063-1		266225-8	H.S.SET SCREW(FLAT POINT)M6X8	1	<	B7108		
064		419595-6	FRONT ANGULAR GUIDE	1				DA522
064-1		413A11-6	FRONT ANGULAR GUIDE	1	<	DA522		
065		419571-0	DIAL 22	1				C0115
065-1		457963-5	DIAL 22	1	<	C0115		
066		961017-7	STOP RING E-3	1				
067-1		266085-8	H.S.SET SCREW(FLAT POINT)M6X10	2				B7108
067-2		266225-8	H.S.SET SCREW(FLAT POINT)M6X8	2	<	B7108		
068		265995-6	TAPPING SCREW 4X18	2				
069		253111-2	FLAT WASHER 6	1				
070		265776-8	THUMB SCREW M6X26	1				
071		912112-6	COUNTERSUNK HEAD SCREW M4X10	1				
072		345748-0	LOCK WASHER	1				
073		231316-4	COMPRESSION SPRING 7	1				DJ857
073-1		231240-1	COMPRESSION SPRING 7	1	O	DJ857		
074		265701-9	THUMB SCREW M6X14	1				
075		419627-9	HOLDER	1				
076		265775-0	THUMB SCREW M4X3	1				
077		267070-4	FLAT WASHER 10	1				81172
077-1		345977-5	PLATE	1	<	81172		
078		253932-2	WAVE WASHER 10	1				
079		419621-1	SLIDE LEVER	1				C0115
079-1		458092-7	SLIDE LEVER	1	<	C0115		
080		265775-0	THUMB SCREW M4X3	1				
081		419627-9	HOLDER	1				
082		231316-4	COMPRESSION SPRING 7	1				DJ857
082-1		231240-1	COMPRESSION SPRING 7	1	O	DJ857		
083		265701-9	THUMB SCREW M6X14	1				
084		922232-8	HEX. SOCKET HEAD BOLT M5X20	1				

A:SP6000(H)

Interchange
O : Yes
X : No
< : the new part can be substituted for the current.
> : the current part can be substituted for the new.
S : Interchangeable as a set.

TH	THAILAND
-----------	-----------------

SP6000 / PLUNGE CUT CIRCULAR SAW 165MM

Item	Sub	Parts No.	Parts Description	Qty	I/C	E/C No.	Close No.	Remark
085		324709-3	LOCK PIN 8	1				
086		233267-7	COMPRESSION SPRING 7	1				
087		419631-8	LOCK PLATE	1				
088		687052-4	STRAIN RELIEF	1			Z34189	
088-1		687140-7	STRAIN RELIEF	1	S	Z34189		
089		265995-6	TAPPING SCREW 4X18	2				
090		631729-3	CONTROLLER	1				
091		213261-5	O RING 17	1				
092		418905-4	DIAL	1				
094		419622-9	SWITCH LEVER	1				
095		651922-3	SWITCH TG71B	1				
096		345745-6	LINK PLATE	1				
097		419629-5	LOCK OFF BUTTON	1				
098		233089-5	COMPRESSION SPRING 12	1				
099		265995-6	TAPPING SCREW 4X18	6				
100		911273-9	PAN HEAD SCREW M5X50	1				
101		862913-1	SP6000 NAME PLATE	1			97467	
101-1		862913-1	SP6000 NAME PLATE	1	O	97467	A8528	
101-2		862913-1	SP6000 NAME PLATE	1	O	A8528	B5703	
101-3		862913-1	SP6000 NAME PLATE	1	O	B5703		
102		188197-6	HANDLE SET	1				
	D10		INC. 55					
103		666216-3	POWER SUPPLY CORD 1.5-2-2.5	1			Z34189	
103-1		691015-4	POWER SUPPLY CORD 0.75-2-2.5	1	S	Z34189		
104		682503-2	CORD GUARD 8-90	1			Z34189	
104-1		682574-9	CORD GUARD 10-90	1	S	Z34189		
105		419626-1	BAFFLE PLATE	1				
106		266044-2	TAPPING SCREW 5X60	2				
107		525743-8	FIELD ASS'Y 220-240V	1				
	C10	654020-2	RING TERMINAL	2				
	C20	654501-6	CONNECTOR P-1.25	2			DE676	
	C21	654485-8	PARALLEL SPLICE	2	O	DE676		
108		158094-0	MOTOR HOUSING COMPLETE	1				
	C10	643708-9	BRUSH HOLDER 5-11	2				
109		911273-9	PAN HEAD SCREW M5X50	4				
110		A-81664	CARBON BRUSH CB-303A	1			83185	
110-1		B-80151	CARBON BRUSH SET CB-303A	1	O	83185	85070	
110-2		B-80379	CARBON BRUSH SET CB-303A	1	<	85070		
111		643750-0	BRUSH HOLDER CAP 7-11	2				
112		267781-1	WAVE WASHER 7	1				
113		231372-4	COMPRESSION SPRING 5	1				
115		421479-6	RUBBER RING 19	1				
116		424047-4	PACKING	1				
117		424050-5	SPONGE	1				
118		443137-4	FELT	1				
122		213045-1	O-RING 6	2		C0286	C1259	
123		422953-7	SHOE	1	S	DN977		
A01		B-07353	TCT SAW BLADE 165X20X48T	1				
A02		783203-8	HEX. WRENCH 5	1				
A03		165447-6	SUB BASE	1			C0442	
F02		194367-7	GUIDE RAIL 3000 SET	1				
	C10	413102-7	SEAT 3000	2				
	C20	423360-7	POSITION SHEET 3000	1				
	C30	423362-3	RUBBER SEAT 3000	2				
	C40	819212-2	MAKITA LOGO LABEL	1				
F03		194368-5	GUIDE RAIL 1400 SET	1				
	C10	413101-9	SEAT 1400	2				
	C20	423359-2	POSITION SHEET 1400	1				
	C30	423361-5	RUBBER SEAT 1400	2				
	C40	819212-2	MAKITA LOGO LABEL	1				
F04		194418-6	POSITION SHEET 1400 SET	1		77803		
F06		194416-0	SHEET 10000 SET	1		77803		
F07		194417-8	RUBBER SHEET 10000 SET	1		77803		
F09-1		196664-7	BEVEL GUIDE SET	1	O	A1654		
F10		194925-9	GUIDE RAIL 1900 SET	1		84298		

A:SP6000(H)

Interchange
O : Yes
X : No
< : the new part can be substituted for the current.
> : the current part can be substituted for the new.
S : Interchangeable as a set.

