



TH	THAILAND
----	----------

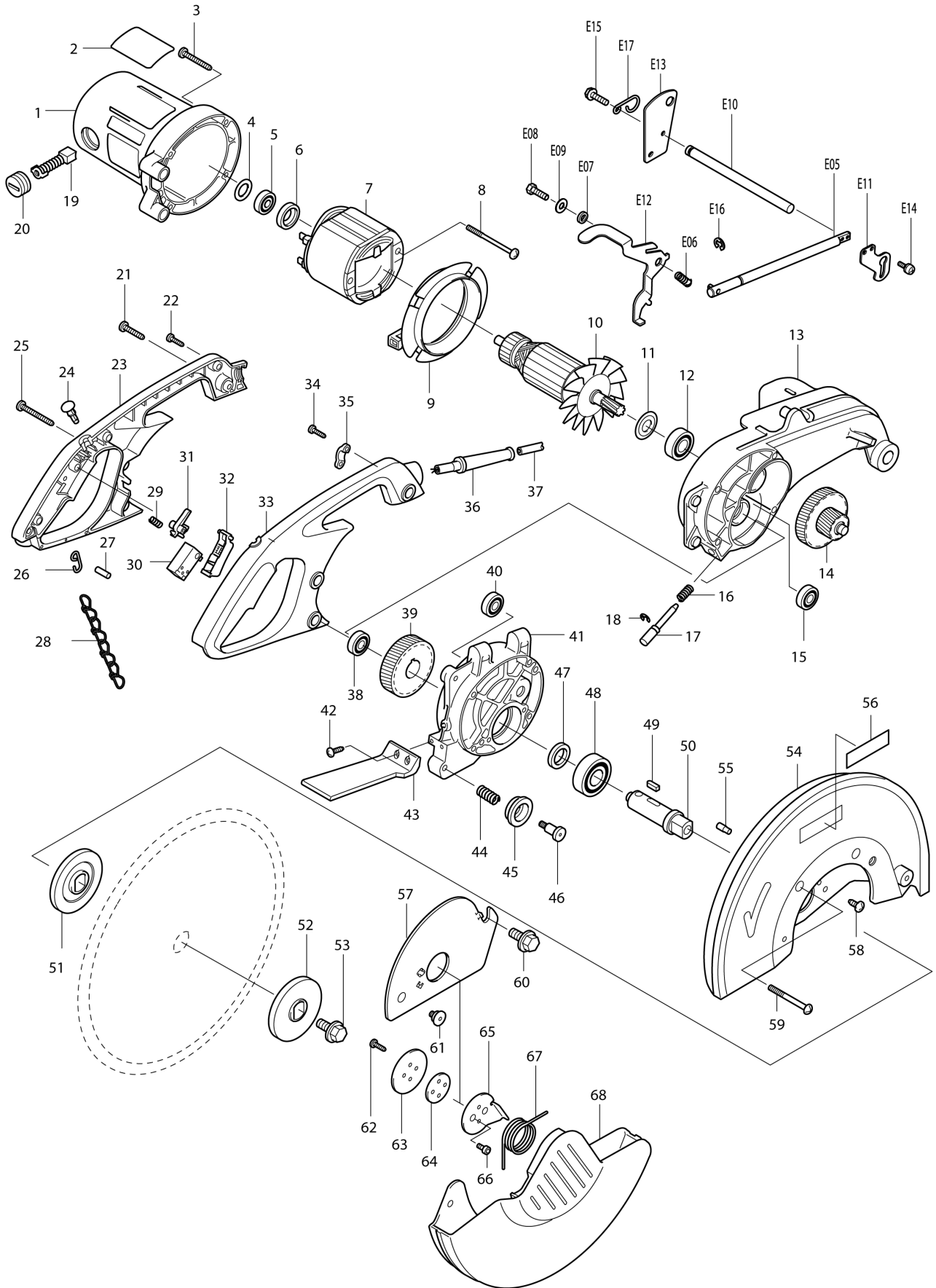
Diagram / Parts List

LC1230

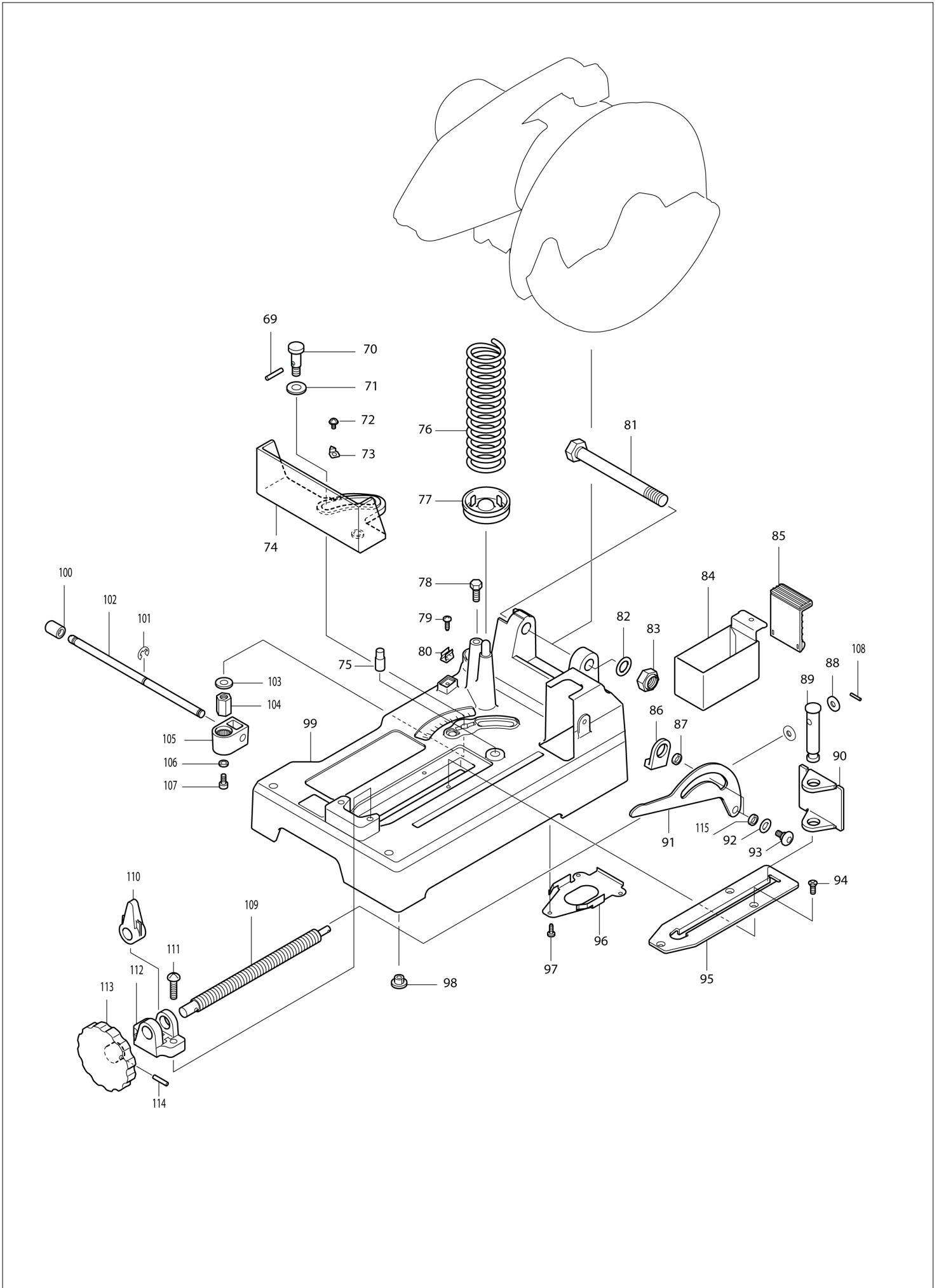
METAL CUTTING SAW 305MM



(TH) LC1230 / METAL CUTTING SAW 305MM



(TH) LC1230 / METAL CUTTING SAW 305MM



TH	THAILAND
-----------	-----------------

LC1230 / METAL CUTTING SAW 305MM

Item	Sub	Parts No.	Parts Description	Qty	I/C	E/C No.	Close No.	Remark
001		151625-4	MOTOR HOUSING COMPLETE	1				
	C10	632799-5	SUPPORT UNIT	1				
	C20	643705-5	BRUSH HOLDER	2			75195	
	C21	643707-1	BRUSH HOLDER	2	O	75195		
	C30	817874-0	CAUTION LABEL	1				
	C40	817881-3	CAUTION LABEL	1				
002		851537-8	NAME PLATE LC1230	1			Y08500	
002-1		855P11-4	LC1230 NAME PLATE	1	<	Y08500		
003		266028-0	TAPPING SCREW BIND CT 5X40	4				
004		253749-3	FLAT WASHER 16	1				
005		210053-3	BALL BEARING 629LLB	1			72502	
005-1		211056-0	BALL BEARING 629LLB	1	O	72502	76219	
005-2		210042-8	BALL BEARING 629LLB	1	O	76219		
006		681633-6	INSULATION WASHER	1			A1466	
006-1		681666-1	INSULATION WASHER	1	O	A1466		
007A		636168-2	FIELD 220V	1				
008		266059-9	TAPPING SCREW 5X75	2				
009		415475-4	BAFFLE PLATE	1				
010A		516573-8	ARMATURE ASS'Y 220V	1			A1466	
	C10	241514-2	FAN 92	1			A1466	
	D10		INC. 5,6				A1466	
010A1		510283-9	ARMATURE ASS'Y 220V	1	O	A1466		
	C10	241514-2	FAN 92	1		A1466		
	D10		INC. 5,6			A1466		
011		267714-6	WASHER 15	1				
012		211206-7	BALL BEARING 6202LLB	1				
013		316626-1	GEAR HOUSING (L)	1				
014		226122-0	GEAR COMPLETE 16-44	1				
015		211064-1	BALL BEARING 6000	1				
016		231418-6	COMPRESSION SPRING 9	1				
017		322678-2	SHAFT LOCK	1				
018		961014-3	STOP RING E-8	1				
019		A-81321	CARBON BRUSH CB-203A	1			83185	
019-1		B-80139	CARBON BRUSH SET CB-203A	1	O	83185	85070	
019-2		B-80341	CARBON BRUSH SET CB-203A	1	<	85070		
020		643700-5	BRUSH HOLDER CAP 7-18	2				
021		266032-9	TAPPING SCREW BIND CT 5X30	1				
022		265995-6	TAPPING SCREW 4X18	4				
023		182628-7	HANDLE SET	1				
	D10		INC. 33					
024		411478-6	SWITCH BUTTON	1				
025		266033-7	TAPPING SCREW BIND CT 5X50	2				
026		281207-9	HANGER	1			99714	
026-1		281216-8	HANGER	1	O	99714		
027		256012-3	PIN 6	1			A1073	
027-1		268101-2	PIN 6	1	O	A1073		
028		282010-1	CHAIN	1			68122	
028-1		282016-9	CHAIN	1	<	68122	C5983	
028-2		281022-1	CHAIN	1	<	C5983		
029		231397-8	COMPRESSION SPRING 4	1				
030		651922-3	SWITCH TG71B	1				
031		415366-9	SWITCH LOCK	1				
032		152463-7	SWITCH LEVER COMPLETE	1				
033		182628-7	HANDLE SET	1				
	D10		INC. 23					
034		265995-6	TAPPING SCREW 4X18	2				
035		687053-2	STRAIN RELIEF	1			A7453	
035-1		687140-7	STRAIN RELIEF	1	O	A7453		
036		682505-8	CORD GUARD 10-90	1				
037		691015-4	POWER SUPPLY CORD 0.75-2-2.5	1				
038		211064-1	BALL BEARING 6000	1				
039		226427-8	HELICAL GEAR 38	1				
040		211061-7	BALL BEARING 6000LLB	1				
041		317148-4	GEAR HOUSING R	1				
042		266034-5	TAPPING SCREW CT 4X16	2				

A:LC1230(H)

Interchange
O : Yes
X : No
< : the new part can be substituted for the current.
> : the current part can be substituted for the new.
S : Interchangeable as a set.

TH	THAILAND
----	----------

LC1230 / METAL CUTTING SAW 305MM

Item	Sub	Parts No.	Parts Description	Qty	I/C	E/C No.	Close No.	Remark
043		416869-6	PROTECTOR	1				
044		231226-5	COMPRESSION SPRING 11	1				
045		415474-6	BLADE GUIDE	1				
046		266030-3	SCREW M6	1				
047		257139-2	RING 20	1			D9218	
047-1		257139-2	RING 20	1	O	D9218		
048		211329-1	BALL BEARING 6204DDW	1				
049		254229-2	KEY 5	1				
050		323828-2	SPINDLE	1				
051		224308-0	INNER FLANGE 69	1				
052-1		224379-7	OUTER FLANGE 69	1				
053		265414-2	HEX. FLANGE HEAD BOLT M10X20	1				
054		183089-4	BLADE CASE SET	1				
	D10		INC. 56					
055		256405-4	PIN 6-7	2				
056		819064-1	MAKITA MARK	1				
057		344737-2	CENTER COVER	1				
058		266035-3	TAPPING SCREW BIND CT 5X12	2				
059		911383-2	PAN HEAD SCREW M6X60	4				
060		265414-2	HEX. FLANGE HEAD BOLT M10X20	1				
061		265020-3	+ FLAT HEAD SCREW M6	1			82597	
061-1		265121-7	+ FLAT HEAD SCREW M6	1	<	82597		
062		266034-5	TAPPING SCREW CT 4X16	2				
063		344735-6	CENTER SUPPORT	1				
064		344734-8	CENTER WASHER	1				
065		344736-4	CENTER PLATE	1				
066		922107-1	HEX. SOCKET HEAD BOLT M4X8	2				
067		231643-9	TORSION SPRING 38	1				
068		317152-3	SAFETY COVER	1				
069		256098-7	PIN 5	1				
070		323882-6	COLLARED SHAFT 12	1				
071		253843-1	FLAT WASHER 12	1				
072		911103-4	PAN HEAD SCREW M4X6	1				
073		816128-2	POINTER	1				
074		310086-9	VICE	1				
075		256453-3	PIN 12	1				
076		233103-7	COMPRESSION SPRING 45	1				
077		165066-8	SPRING HOLDER	1				
078		265412-6	HEX. BOLT M8X20	1				
079		266034-5	TAPPING SCREW CT 4X16	1				
080		232075-3	LEAF SPRING	1				
081		265413-4	HEX. BOLT M16	1				
082		253771-0	FLAT WASHER 16	1				
083		252044-8	HEX. NUT M16-24	1				
084		344740-3	DUST BOX	1				
085		421671-4	RUBBER PAD	1				
086		421670-6	CUSHION	1				
087		257222-5	RING 8	1				
088		253731-2	FLAT WASHER 8	2				
089		268040-6	PIN 16	1				
090		344118-0	VICE PLATE	1				
091		344738-0	LINK PLATE	1			96373	
091-1		346633-0	LINK PLATE	1	O	96373		
092-1		267236-6	FLAT WASHER 8	2				
093-1		265089-7	+ PAN HEAD SCREW M6	2				
094		912212-2	COUNTERSUNK HEAD SCREW M5X12	3				
095		344119-8	GUIDE PLATE	1				
096		344739-8	UNDER PLATE	1				
097		266026-4	TAPPING SCREW BIND CT 4X12	3				
098		286212-1	CAP 20	5				
099		151623-8	BASE COMPLETE	1			C7324	
	C10	817838-4	CAUTION LABEL	1			C7324	
099-1		151623-8	BASE COMPLETE	1	O	C7324		
	C10	817838-4	CAUTION LABEL	1		C7324		
100		286236-7	CAP 16	1				

A:LC1230(H)

Interchange
O : Yes
X : No
< : the new part can be substituted for the current.
> : the current part can be substituted for the new.
S : Interchangeable as a set.

