



TH	THAILAND
----	----------

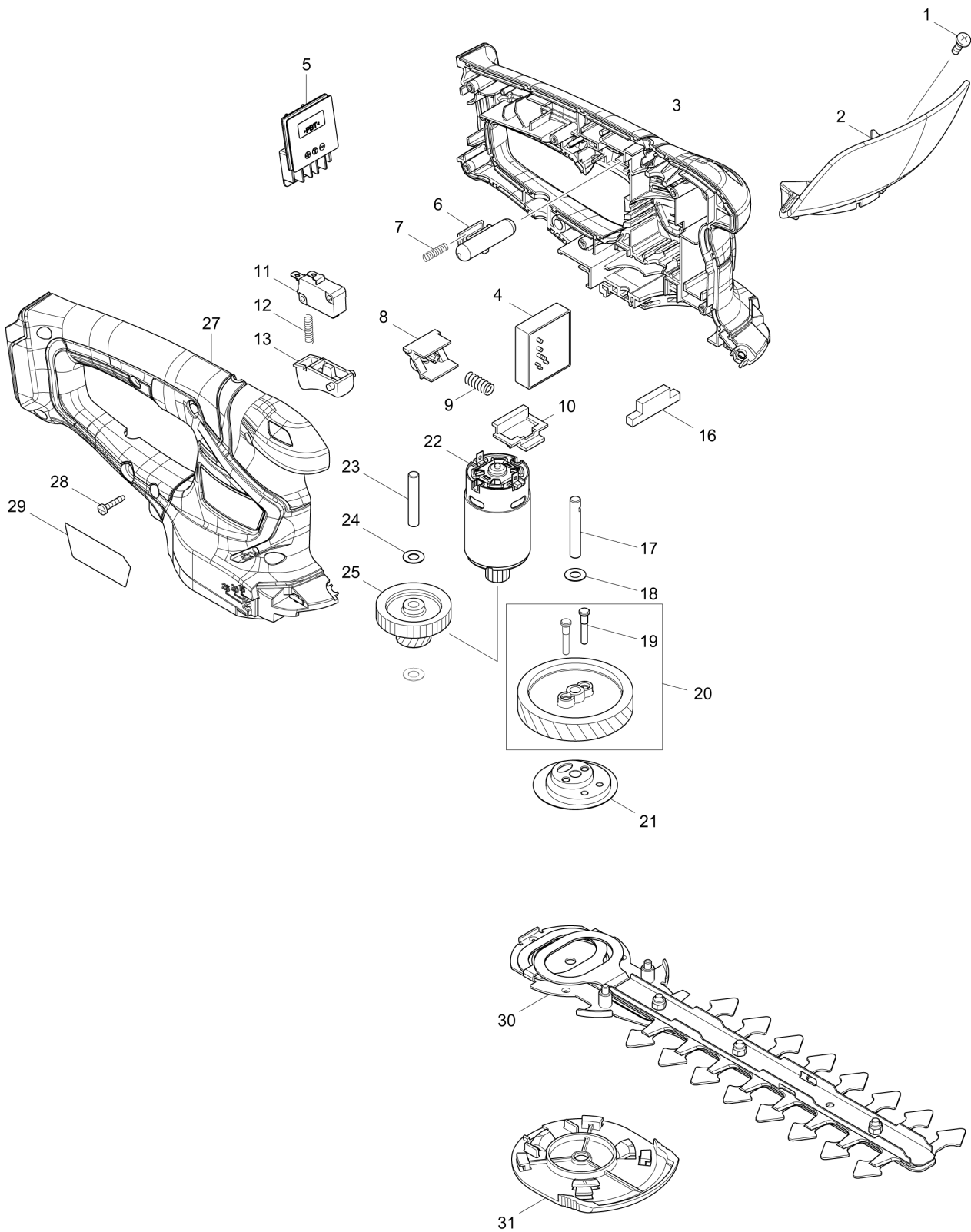
Diagram / Parts List

UH201D

200MM CORDLESS HEDGE TRIMMER



(TH) UH201D / 200MM CORDLESS HEDGE TRIMMER



TH	THAILAND
-----------	-----------------

UH201D / 200MM CORDLESS HEDGE TRIMMER

Item	Sub	Parts No.	Parts Description	Qty	I/C	E/C No.	Close No.	Remark
001		915116-7	BINDING HEAD SCREW M4X12	1				
002		144342-3	PROTECTOR COMPLETE	1			D2683	
	C10	819948-3	CAUTION LABEL	1			D2683	
002-1		140V97-0	PROTECTOR COMPLETE	1	<	D2683		
	C10	819948-3	CAUTION LABEL	1		D2683	DK032	
	C11	819948-3	CAUTION LABEL	1	<	DK032		
003		183G04-0	HOUSING SET	1			DB439	
	C10	931102-0	HEX. NUT M4	1			DB439	
	C20	263002-9	RUBBER PIN 4	2			DB439	
	C30	346275-0	PLATE	2			DB439	
	D10		INC. 27				DB439	
003-1		183U51-5	HOUSING SET	1	S	DB439		
	C10	931102-0	HEX. NUT M4	1		DB439		
	C20	263002-9	RUBBER PIN 4	2		DB439		
	C30	346275-0	PLATE	2		DB439		
	D10		INC. 27			DB439		
004		632K10-1	CONTROLLER UNIT	1			D9894	
004-1		632R77-1	CONTROLLER UNIT	1	<	D9894		
	C20	654086-2	RECEPTACLE	2		DE372		
005		644813-5	TERMINAL	1				
006		452438-9	LOCK OFF BUTTON	1			DB439	
006-1		413A16-6	LOCK OFF BUTTON	1	S	DB439		
007		231473-8	COMPRESSION SPRING 4	1				
008		457534-8	SLIDE PLATE	1				
009		234339-1	COMPRESSION SPRING 6	1				
010		454879-5	LOCK LEVER	1				
011		650744-8	SWITCH D3V-16-3C26	1				
012		231473-8	COMPRESSION SPRING 4	1				
013		417564-1	SWITCH LEVER	1				
016		451814-4	DUST GUARD	1				
017		268254-7	PIN 6	1				
018		253715-0	FLAT WASHER 6	1				
019		268256-3	PIN 4	2				
020		135883-0	HELICAL GEAR 47 ASS'Y	1				
	D10		INC. 19					
021		161598-3	CRANK COMPLETE	1				
022		629258-8	DC MOTOR	1				
023		268076-5	PIN 6	1				
024		253715-0	FLAT WASHER 6	2				
025		226831-1	GEAR 12-31	1				
027		183G04-0	HOUSING SET	1			DB439	
	C10	931102-0	HEX. NUT M4	1			DB439	
	C20	263002-9	RUBBER PIN 4	2			DB439	
	C30	346275-0	PLATE	2			DB439	
	D10		INC. 3				DB439	
027-1		183U51-5	HOUSING SET	1	S	DB439		
	C10	931102-0	HEX. NUT M4	1		DB439		
	C20	263002-9	RUBBER PIN 4	2		DB439		
	C30	346275-0	PLATE	2		DB439		
	D10		INC. 3			DB439		
028		266429-2	TAPPING SCREW 3X16	6				
029		852Y66-4	UH201D NAME PLATE	1				
030		198409-9	SHEAR BLADE ASSEMBLY 200 S SET	1			D6397	
	C10	188369-3	OIL VESSEL SET	1			D6397	
030-1		198408-1	SHEAR BLADE ASSEMBLY 200 S SET	1	O	D6397		
	C10	188369-3	OIL VESSEL SET	1		D6397		
031		140451-6	UNDER COVER COMPLETE	1				
A01		198402-3	CHIP RECEIVER SET	1			D6397	
A01-1		198401-5	CHIP RECEIVER SET	1	O	D6397		
A02		451816-0	BLADE COVER	1			C2670	
A02-1		458342-0	BLADE COVER	1	O	C2670		
A03A		456128-6	BATTERY COVER	1				
A03C		456128-6	BATTERY COVER	1				
A03D		456128-6	BATTERY COVER	2				
A04A		***DC10WD	DC10WD BATTERY CHARGER	1				

A:UH201DWA(H)
 B:UH201DZ(N)
 C:UH201DWY(H)
 D:UH201DWYE(H)

Interchange
 O : Yes
 X : No
 < : the new part can be substituted for the current.
 > : the current part can be substituted for the new.
 S : Interchangeable as a set.

