



| | |
|----|----------|
| TH | THAILAND |
|----|----------|

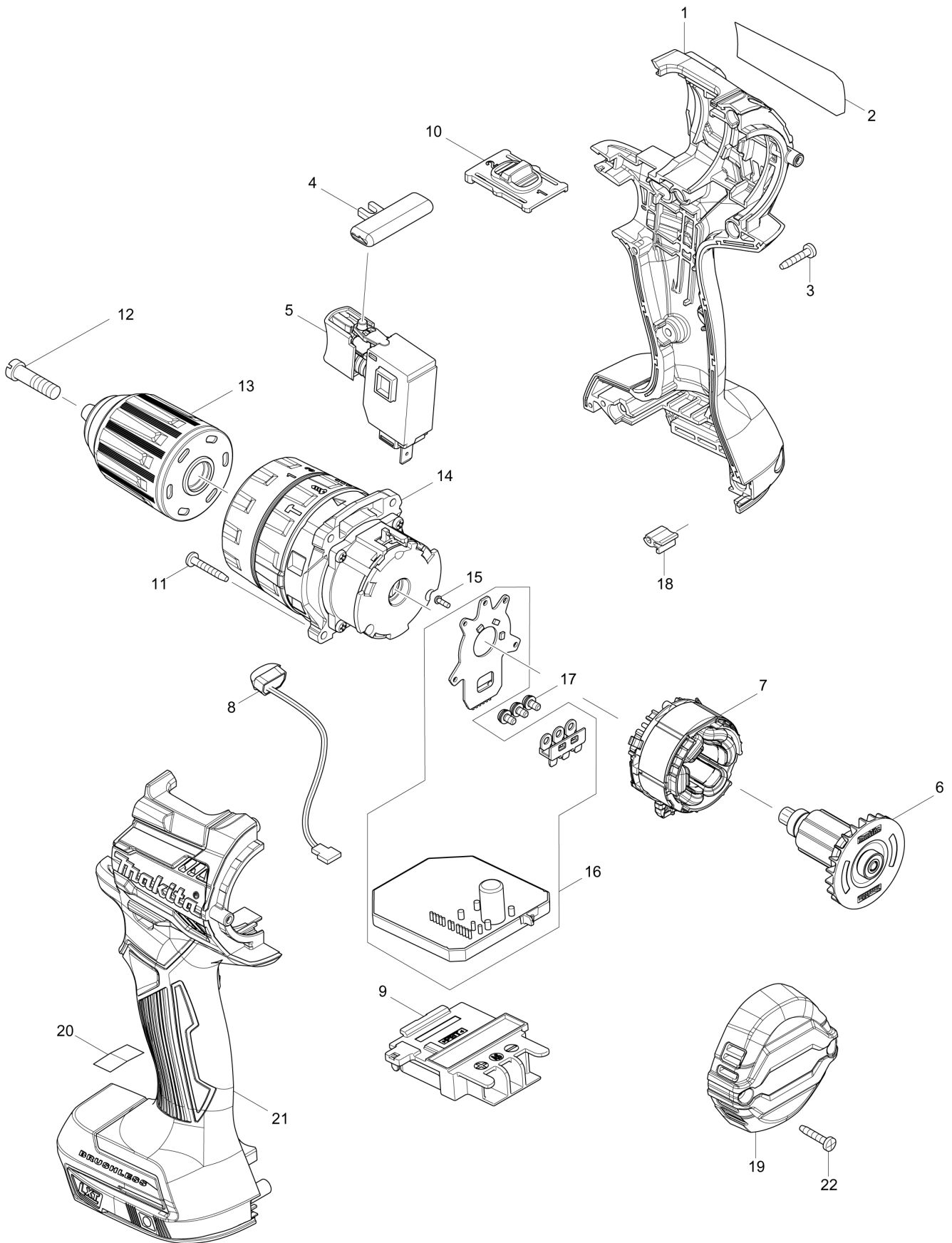
Diagram / Parts List

DHP484

CORDLESS HAMMER DRIVER DRILL



(TH) DHP484 / CORDLESS HAMMER DRIVER DRILL



| | |
|-----------|-----------------|
| TH | THAILAND |
|-----------|-----------------|

DHP484 / CORDLESS HAMMER DRIVER DRILL

| Item | Sub | Parts No. | Parts Description | Qty | I/C | E/C No. | Close No. | Remark |
|--------|-----|-----------|-----------------------------|-----|-----|---------|-----------|--------|
| 001 | | 183E71-3 | HOUSING SET | 1 | | | C6307 | |
| | C10 | 263005-3 | RUBBER PIN 6 | 2 | | | C6307 | |
| | C20 | 252126-6 | HEX. LOCK NUT M4-7 | 2 | | | C6307 | |
| | D10 | | INC. 21 | | | | C6307 | |
| 001-1 | | 183L79-9 | HOUSING SET | 1 | < | C6307 | | |
| | C10 | 263005-3 | RUBBER PIN 6 | 2 | | C6307 | | |
| | C20 | 252126-6 | HEX. LOCK NUT M4-7 | 2 | | C6307 | | |
| | D10 | | INC. 21 | | | C6307 | | |
| 002 | | 852L96-7 | DHP484 NAME PLATE | 1 | | | | |
| 003 | | 266429-2 | TAPPING SCREW 3X16 | 7 | | | | |
| 004 | | 419041-9 | F/R CHANGE LEVER | 1 | | | | |
| 005 | | 650710-5 | SWITCH C3JW-4B | 1 | | | D9871 | |
| 005-1 | | 650006-4 | SWITCH TGRK2-1 | 1 | O | D9871 | | |
| 006 | | 619406-7 | ROTOR | 1 | | | C6318 | |
| 006-1 | | 619406-7 | ROTOR | 1 | O | C6318 | | |
| 007 | | 629225-3 | STATOR | 1 | | | | |
| 008 | | 620549-0 | LED CIRCUIT | 1 | | | | |
| 009 | | 643874-2 | TERMINAL | 1 | | | | |
| 010 | | 123738-1 | SPEED CHANGE LEVER ASSEMBLY | 1 | | | | |
| | C10 | 233438-6 | COMPRESSION SPRING 4 | 2 | | | | |
| 011 | | 251497-8 | TAPPING SCREW 3X20 | 4 | | | | |
| 012 | | 251468-5 | - FLAT HEAD SCREW M6X22 | 1 | | | | |
| 013 | | 766027-7 | KEYLESS DRILL CHUCK 13 | 1 | | | | |
| 014 | | 123736-5 | GEAR ASSEMBLY | 1 | | | B5981 | |
| 014-1 | | 123953-7 | GEAR ASSEMBLY | 1 | < | B5981 | B8851 | |
| 014-2 | | 126729-1 | GEAR ASSEMBLY | 1 | < | B8851 | C9576 | |
| 014-3 | | 127499-5 | GEAR ASSEMBLY | 1 | < | C9576 | | |
| 015 | | 266490-9 | TAPPING SCREW PT 2X6 | 3 | | | | |
| 016 | | 620548-2 | CONTROLLER | 1 | | | | |
| 017 | | 652069-6 | FLAT HEAD SCREW M3X6 | 3 | | | | |
| 018 | | 424517-3 | CUSHION | 1 | | | | |
| 019 | | 456967-4 | REAR COVER | 1 | | | | |
| 021 | | 183E71-3 | HOUSING SET | 1 | | | C6307 | |
| | C10 | 263005-3 | RUBBER PIN 6 | 2 | | | C6307 | |
| | C20 | 252126-6 | HEX. LOCK NUT M4-7 | 2 | | | C6307 | |
| | D10 | | INC. 1 | | | | C6307 | |
| 021-1 | | 183L79-9 | HOUSING SET | 1 | < | C6307 | | |
| | C10 | 263005-3 | RUBBER PIN 6 | 2 | | C6307 | | |
| | C20 | 252126-6 | HEX. LOCK NUT M4-7 | 2 | | C6307 | | |
| | D10 | | INC. 1 | | | C6307 | | |
| 022 | | 266429-2 | TAPPING SCREW 3X16 | 2 | | | | |
| A01 | | 251314-2 | + SCREW M4X12 | 1 | | | | |
| A02 | | 346317-0 | HOOK | 1 | | | | |
| A03 | | 784637-8 | + - BIT 2-45 | 1 | | | | |
| A04B | | 158597-4 | PLASTIC CASE COMPLETE | 1 | | | | |
| | C10 | 417724-5 | LATCH | 2 | | | | |
| A04C | | 158597-4 | PLASTIC CASE COMPLETE | 1 | | | | |
| | C10 | 417724-5 | LATCH | 2 | | | | |
| A04D | | 158597-4 | PLASTIC CASE COMPLETE | 1 | | | | |
| | C10 | 417724-5 | LATCH | 2 | | | | |
| A05B | | 450128-8 | BATTERY COVER | 1 | | | | |
| A05C | | 450128-8 | BATTERY COVER | 1 | | | | |
| A05D | | 450128-8 | BATTERY COVER | 1 | | | | |
| A06B | | ***DC18RC | DC18RC FAST CHARGER | 1 | | | | |
| | D10 | | COMPO-PARTS | | | | | |
| A06C | | ***DC18RC | DC18RC FAST CHARGER | 1 | | | | |
| | D10 | | COMPO-PARTS | | | | | |
| A06D | | ***DC18RC | DC18RC FAST CHARGER | 1 | | | | |
| | D10 | | COMPO-PARTS | | | | | |
| A07B | | 197600-6 | BATTERY BL1830B SET | 2 | | | C2803 | |
| A07C | | 197265-4 | BATTERY BL1840B SET | 2 | | | C5218 | |
| A07D | | 197280-8 | BATTERY BL1850B SET | 2 | | | C2803 | |
| A07-1B | | 199283-8 | BATTERY BL1830B SET | 2 | < | C2803 | D0159 | |
| A07-1C | | 197265-4 | BATTERY BL1840B SET | 2 | O | C5218 | | |
| A07-1D | | 199282-0 | BATTERY BL1850B SET | 2 | < | C2803 | D0161 | |

B:DHP484RFE(H)
C:DHP484RME(H)
D:DHP484RTE(H)

Interchange
O : Yes
X : No
< : the new part can be substituted for the current.
> : the current part can be substituted for the new.
S : Interchangeable as a set.

