



| | |
|----|----------|
| TH | THAILAND |
|----|----------|

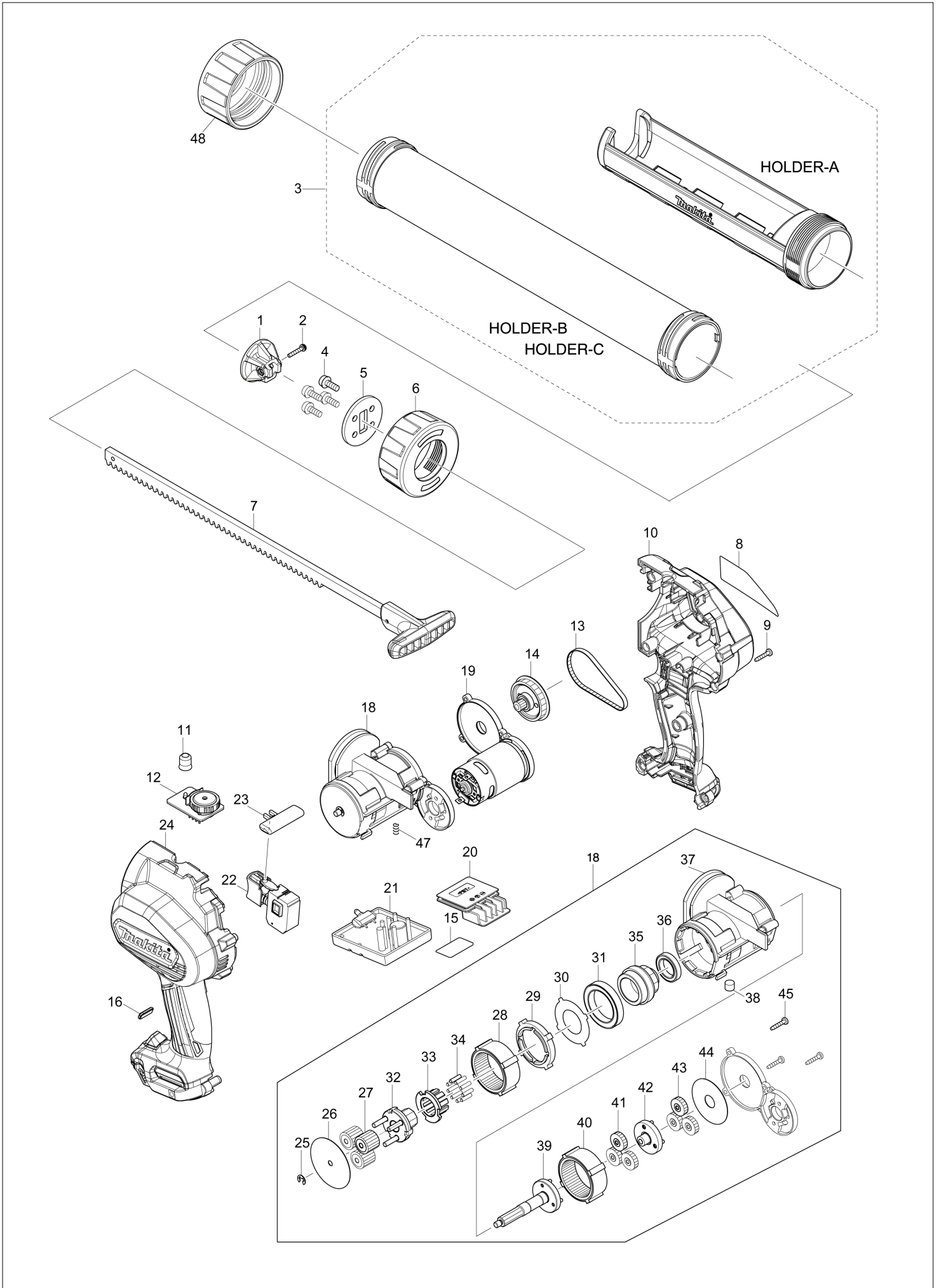
Diagram / Parts List

CG100D

CORDLESS CAULKING GUN



(TH) CG100D / CORDLESS CAULKING GUN



| | |
|-----------|-----------------|
| TH | THAILAND |
|-----------|-----------------|

CG100D / CORDLESS CAULKING GUN

| Item | Sub | Parts No. | Parts Description | Qty | I/C | E/C No. | Close No. | Remark |
|-------|-----|-----------|------------------------------|-----|-----|---------|-----------|--------|
| 001A | | 142071-2 | PISTON A COMPLETE | 1 | | | | |
| 001B | | 142072-0 | PISTON B COMPLETE | 1 | | | | |
| 001C | | 143221-2 | PISTON D COMPLETE | 1 | | | | |
| 001D | | 142071-2 | PISTON A COMPLETE | 1 | | | | |
| 002 | | 266827-0 | PAN HEAD SCREW M3X18 WITH WR | 1 | | | | |
| 003A | | 454275-7 | HOLDER A | 1 | | | | |
| 003B | | 141861-0 | HOLDER B COMPLETE | 1 | | | | |
| 003C | | 455951-6 | HOLDER C | 1 | | | | |
| 003D | | 454275-7 | HOLDER A | 1 | | | | |
| 004 | | 265074-0 | PAN HEAD SCREW M5X16 | 4 | | | | |
| 005A | | 346649-5 | PLATE | 1 | | | | |
| 005B | | 346649-5 | PLATE | 1 | | | | |
| 005D | | 346649-5 | PLATE | 1 | | | | |
| 006A | | 454223-6 | HOLDER JOINT A | 1 | | | | |
| 006B | | 318958-2 | HOLDER JOINT B | 1 | | | | |
| 006C | | 143223-8 | HOLDER JOINT C COMPLETE | 1 | | | | |
| | C10 | 231985-1 | RING SPRING 43 | 1 | | | | |
| | C20 | 326538-0 | RETAINER | 1 | | | | |
| | C30 | 455952-4 | HOLDER JOINT C | 1 | | | | |
| 006D | | 454223-6 | HOLDER JOINT A | 1 | | | | |
| 007A | | 142041-1 | RACK 42 COMPLETE | 1 | | | | |
| 007B | | 142042-9 | RACK 64 COMPLETE | 1 | | | | |
| 007C | | 143220-4 | RACK 53 COMPLETE | 1 | | | | |
| 007D | | 142041-1 | RACK 42 COMPLETE | 1 | | | | |
| 008 | | 853S36-0 | CG100D NAME PLATE | 1 | | | | |
| 009 | | 266429-2 | TAPPING SCREW 3X16 | 9 | | | DE715 | |
| 009-1 | | 266130-9 | TAPPING SCREW BIND PT 3X16 | 9 | O | DE715 | | |
| 010 | | 183H54-1 | HOUSING SET | 1 | | | | |
| | C10 | 252126-6 | HEX. LOCK NUT M4-7 | 2 | | | | |
| | D10 | | INC. 24 | | | | | |
| 011 | | 418821-0 | LENS | 1 | | | | |
| 012 | | 620180-2 | SUB CONTROLLER | 1 | | | | |
| 013 | | 225097-0 | SYNCHRO BELT 4-176 | 1 | | | | |
| 014 | | 142038-0 | SPUR GEAR 9A COMPLETE | 1 | | | | |
| 015 | | 853S38-6 | CG100D SERIAL NO. LABEL | 1 | | | | |
| 016 | | 454230-9 | LENS | 1 | | | | |
| 018 | | 126253-4 | GEAR ASSEMBLY | 1 | | | | |
| | D10 | | INC. 25-45 | | | | | |
| 019 | | 144863-5 | MOTOR COMPLETE | 1 | | | | |
| 020 | | 644813-5 | TERMINAL | 1 | | | | |
| 021 | | 632K95-7 | CONTROLLER UNIT | 1 | | | | |
| | C10 | 620762-0 | LED CIRCUIT | 1 | | | | |
| 022 | | 650632-9 | SWITCH | 1 | | | | |
| 023 | | 451162-1 | LOCK LEVER | 1 | | | | |
| 024 | | 183H54-1 | HOUSING SET | 1 | | | | |
| | C10 | 252126-6 | HEX. LOCK NUT M4-7 | 2 | | | | |
| | D10 | | INC. 10 | | | | | |
| 025 | | 961011-9 | STOP RING E-4 | 1 | | | | |
| 026 | | 267465-1 | FLAT WASHER 5 | 1 | | | | |
| 027 | | 227311-0 | SPUR GEAR 19B | 3 | | | | |
| 028 | | 227309-7 | INTERNAL GEAR 48 | 1 | | | | |
| 029 | | 144375-8 | SPACER COMPLETE | 1 | | | | |
| 030 | | 346721-3 | PLATE 23 | 1 | | | | |
| 031 | | 211294-4 | BALL BEARING 6806LLU | 1 | | | | |
| 032 | | 141860-2 | CARRIER A COMPLETE | 1 | | | | |
| 033 | | 313253-5 | CARRIER B | 1 | | | | |
| 034 | | 256255-7 | PIN 3 | 9 | | | | |
| 035 | | 227312-8 | SPUR GEAR 10 | 1 | | | | |
| 036 | | 211482-3 | BALL BEARING 6803LLU | 1 | | | | |
| 037 | | 454219-7 | GEAR HOUSING | 1 | | | | |
| 038 | | 313257-7 | MAGNET | 1 | | | | |
| 039 | | 141859-7 | SPUR GEAR 9C COMPLETE | 1 | | | | |
| 040 | | 227309-7 | INTERNAL GEAR 48 | 1 | | | | |
| 041 | | 227310-2 | SPUR GEAR 19A | 3 | | | | |
| 042 | | 141858-9 | SPUR GEAR 9B COMPLETE | 1 | | | | |

A:CG100DZA(N)
 B:CG100DZB(N)
 C:CG100DZC(N)
 D:CG100DWAEA(H)

Interchange
 O : Yes
 X : No
 < : the new part can be substituted for the current.
 > : the current part can be substituted for the new.
 S : Interchangeable as a set.

