



TH	THAILAND
----	----------

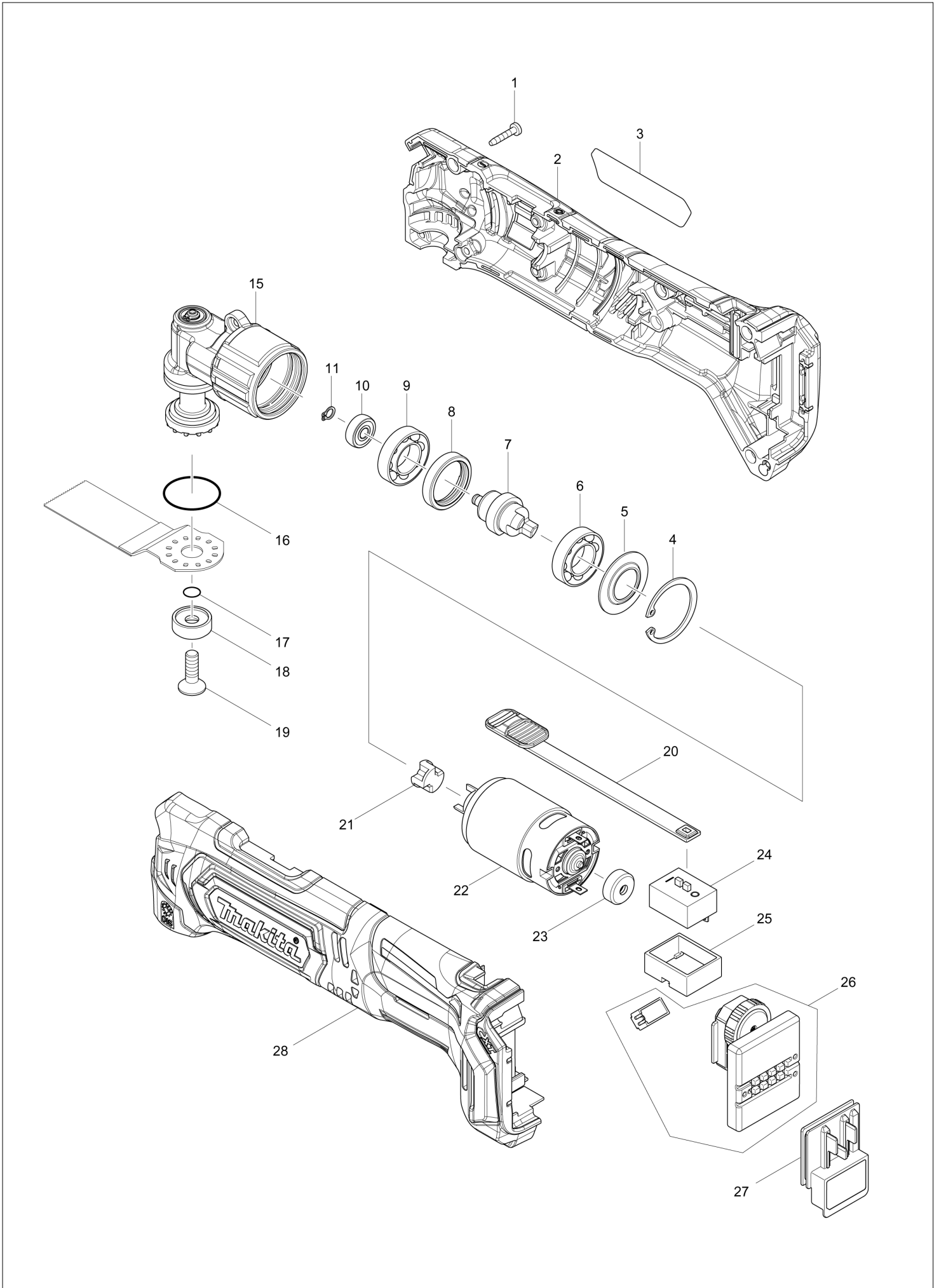
Diagram / Parts List

TM30D

CORDLESS MULTI TOOL



(TH) TM30D / CORDLESS MULTI TOOL



TH	THAILAND
-----------	-----------------

TM30D / CORDLESS MULTI TOOL

Item	Sub	Parts No.	Parts Description	Qty	I/C	E/C No.	Close No.	Remark
001		266429-2	TAPPING SCREW 3X16	12				
002		183E32-3	MOTOR HOUSING SET	1				
	C10	263039-6	RUBBER PIN 4	3				
	C20	424859-5	CUSHION	2				
	D10		INC. 28					
003		852E52-5	TM30D NAME PLATE	1			Y07746	
003-1		852E51-7	TM30D NAME PLATE	1	<	Y07746		
004		962151-6	RETAINING RING R-32	1				
005		253368-5	WASHER 16	1				
006		210147-4	BALL BEARING 6902	1				
007		326719-6	CRANK SHAFT	1				
008		456788-4	SPACER 21	1				
009		210147-4	BALL BEARING 6902	1				
010		210144-0	SPHERE BEARING 505	1				
011		961008-8	RETAINING RING S-5	1				
015		144085-7	CRANK HOUSING COMPLETE	1				
016		213987-9	O-RING 25	1				
017		213021-5	O RING 5	1			C5179	
018		224455-7	OUTER FLANGE 22	1			C5179	
019		266783-4	HEX.SOCKET C.S.H.SCREW M6X20	1			C5179	
019-1		265674-6	HEX. SOKCET HEAD BOLT M6X14	1	S	C5179		
020		456791-5	SWITCH KNOB	1				
021		424833-3	SPACER	1				
022		629220-3	DC MOTOR	1				
023		424467-2	CAP	1				
024		651610-2	SWITCH	1				
025		424860-0	SWITCH COVER	1				
026		620522-0	CONTROLLER	1				
	C10	620543-2	LED CIRCUIT	1				
027		644813-5	TERMINAL	1				
028		183E32-3	MOTOR HOUSING SET	1				
	C10	263039-6	RUBBER PIN 4	3				
	C20	424859-5	CUSHION	2				
	D10		INC. 2					
A01		783233-9	HEX. WRENCH 5	1				
A02B		143644-4	PLASTIC CASE COMPLETE	1				
	C10	162302-3	LATCH	2				
	C20	838502-4	INNER TRAY	1				
A02D		821550-0	CONNECTOR PLASTIC CASE (TYPE2)	1				
	C10	453974-8	LATCH	2				
A02E		143644-4	PLASTIC CASE COMPLETE	1				
	C10	162302-3	LATCH	2				
	C20	838502-4	INNER TRAY	1				
A03B		196271-6	ADAPTER A SET	1			C5794	
A03C		809H30-4	TM30DWYJ PLASTIC CASE LABEL	2				
A03D		196272-4	ADAPTER A SET	1			C4114	
A03E		196272-4	ADAPTER A SET	1			C4114	
A03-1D		196271-6	ADAPTER A SET	1	<	C4114	C5794	
A03-1E		196271-6	ADAPTER A SET	1	<	C4114	C5794	
A04B		B-21325	SEGMENT SAW BLADE 85 TMA006	1			C5794	
A04C		809H29-9	TM30DWYJ INDICATION LABEL	1				
A04D		B-21325	SEGMENT SAW BLADE 85 TMA006	1			C5794	
A04E		B-21325	SEGMENT SAW BLADE 85 TMA006	1			C5794	
A04-1B		B-64799	STARLOCK SEGMENTSAW 85 TMA045	1	O	C5794		
A04-1D		B-64799	STARLOCK SEGMENTSAW 85 TMA045	1	O	C5794		
A04-1E		B-64799	STARLOCK SEGMENTSAW 85 TMA045	1	O	C5794		
A05B		B-21331	SEGMENT SAW BLADE 85 TMA007	1			C5794	
A05C		454247-2	PIN 4	4			Y08279	
A05D		B-21331	SEGMENT SAW BLADE 85 TMA007	1			C5794	
A05E		B-21331	SEGMENT SAW BLADE 85 TMA007	1			C5794	
A05-1B		B-64836	STARLOCK SEGMENTSAW 85 TMA049	1	O	C5794		
A05-1D		B-64836	STARLOCK SEGMENTSAW 85 TMA049	1	O	C5794		
A05-1E		B-64836	STARLOCK SEGMENTSAW 85 TMA049	1	O	C5794		
A06B		B-21353	PLUNGE CUT SAW BLADE 28 TMA009	1			C5794	
A06C		821550-0	CONNECTOR PLASTIC CASE (TYPE2)	1				

B:TM30DZKX3(N)
C:TM30DWYJ(H)
D:TM30DWYJX3(H)
E:TM30DWYEX3(H)

Interchange
O : Yes
X : No
< : the new part can be substituted for the current.
> : the current part can be substituted for the new.
S : Interchangeable as a set.

TH	THAILAND
-----------	-----------------

TM30D / CORDLESS MULTI TOOL

Item	Sub	Parts No.	Parts Description	Qty	I/C	E/C No.	Close No.	Remark
	C10	453974-8	LATCH	4				
A06D		B-21353	PLUNGE CUT SAW BLADE 28 TMA009	1			C5794	
A06E		B-21353	PLUNGE CUT SAW BLADE 28 TMA009	1			C5794	
A06-1B		B-64814	STARLOCK CUTSAW 32 TMA047 BIM	1	O	C5794		
A06-1D		B-64814	STARLOCK CUTSAW 32 TMA047 BIM	1	O	C5794		
A06-1E		B-64814	STARLOCK CUTSAW 32 TMA047 BIM	1	O	C5794		
A07B		B-21369	PLUNGE CUT SAW BLADE 32 TMA010	1			C5794	
A07C		838612-7	INNER TRAY	1				
A07D		B-21369	PLUNGE CUT SAW BLADE 32 TMA010	1			C5794	
A07E		B-21369	PLUNGE CUT SAW BLADE 32 TMA010	1			C5794	
A07-1B		B-64870	STARLOCK CUTSAW 32 TMA053 BIM	1	O	C5794		
A07-1D		B-64870	STARLOCK CUTSAW 32 TMA053 BIM	1	O	C5794		
A07-1E		B-64870	STARLOCK CUTSAW 32 TMA053 BIM	1	O	C5794		
A08B		B-21381	PLUNGE CUT SAW BLADE 32 TMA012	1			C5794	
A08D		B-21381	PLUNGE CUT SAW BLADE 32 TMA012	1			C5794	
A08E		B-21381	PLUNGE CUT SAW BLADE 32 TMA012	1			C5794	
A08-1B		B-64858	STARLOCK CUTSAW 32 TMA051 HCS	1	O	C5794		
A08-1D		B-64858	STARLOCK CUTSAW 32 TMA051 HCS	1	O	C5794		
A08-1E		B-64858	STARLOCK CUTSAW 32 TMA051 HCS	1	O	C5794		
A09B		B-21428	PLUNGE CUT SAW BLADE 20 TMA016	1			C5794	
A09C		456128-6	BATTERY COVER	1				
A09D		B-21428	PLUNGE CUT SAW BLADE 20 TMA016	1			C5794	
A09E		B-21428	PLUNGE CUT SAW BLADE 20 TMA016	1			C5794	
A09-1B		B-64923	STARLOCK CUTSAW 20 TMA058 BIM	1	O	C5794	D8846	
A09-1D		B-64923	STARLOCK CUTSAW 20 TMA058 BIM	1	O	C5794	D8846	
A09-1E		B-64923	STARLOCK CUTSAW 20 TMA058 BIM	1	O	C5794	D8846	
A09-2B		B-64923	STARLOCK CUTSAW 20 TMA058 BIM	1	O	D8846		
A09-2D		B-64923	STARLOCK CUTSAW 20 TMA058 BIM	1	O	D8846		
A09-2E		B-64923	STARLOCK CUTSAW 20 TMA058 BIM	1	O	D8846		
A10B		B-21434	PLUNGE CUT SAW BLADE 10 TMA017	1			C5794	
A10C		***DC10WD	DC10WD BATTERY CHARGER	1				
	D10		COMPO-PARTS					
A10D		B-21434	PLUNGE CUT SAW BLADE 10 TMA017	1			C5794	
A10E		B-21434	PLUNGE CUT SAW BLADE 10 TMA017	1			C5794	
A10-1B		B-64917	STARLOCK CUTSAW 10 TMA057 BIM	1	O	C5794	D8846	
A10-1D		B-64917	STARLOCK CUTSAW 10 TMA057 BIM	1	O	C5794	D8846	
A10-1E		B-64917	STARLOCK CUTSAW 10 TMA057 BIM	1	O	C5794	D8846	
A10-2B		B-64917	STARLOCK CUTSAW 10 TMA057 BIM	1	O	D8846		
A10-2D		B-64917	STARLOCK CUTSAW 10 TMA057 BIM	1	O	D8846		
A10-2E		B-64917	STARLOCK CUTSAW 10 TMA057 BIM	1	O	D8846		
A11B		B-21456	SCRAPER 52 FLEXIBLE TMA019	1			C5794	
A11C		197393-5	BATTERY BL1016 SET	2			C2691	
A11D		B-21456	SCRAPER 52 FLEXIBLE TMA019	1			C5794	
A11E		B-21456	SCRAPER 52 FLEXIBLE TMA019	1			C5794	
A11-1B		B-64995	STARLOCK SCRAPERFLEXIBLE TMA66	1	O	C5794		
A11-1C		199291-9	BATTERY BL1016 SET	2	<	C2691	D0163	
A11-1D		B-64995	STARLOCK SCRAPERFLEXIBLE TMA66	1	O	C5794		
A11-1E		B-64995	STARLOCK SCRAPERFLEXIBLE TMA66	1	O	C5794		
A11-2C		199291-9	BATTERY BL1016 SET	2	<	D0163		
A12B		B-21490	HM SEG SAW BLADE 85 TMA023	1			C5794	
A12D		B-21490	HM SEG SAW BLADE 85 TMA023	1			C5794	
A12E		B-21490	HM SEG SAW BLADE 85 TMA023	1			C5794	
A12-1B		B-65028	STARLOCK SEGMENTSAW 85 TMA069	1	O	C5794		
A12-1D		B-65028	STARLOCK SEGMENTSAW 85 TMA069	1	O	C5794		
A12-1E		B-65028	STARLOCK SEGMENTSAW 85 TMA069	1	O	C5794		
A13B		B-21509	HM SEG SAW BLADE 65 TMA024	1			C5794	
A13D		B-21509	HM SEG SAW BLADE 65 TMA024	1			C5794	
A13E		B-21509	HM SEG SAW BLADE 65 TMA024	1			C5794	
A13-1B		B-65040	STARLOCK SEGMENTSAW 70 TMA071	1	O	C5794		
A13-1D		B-65040	STARLOCK SEGMENTSAW 70 TMA071	1	O	C5794		
A13-1E		B-65040	STARLOCK SEGMENTSAW 70 TMA071	1	O	C5794		
A14B		B-21624	ABRASIVEPAPER DELTA RED 60	1			D9125	
A14D		B-21624	ABRASIVEPAPER DELTA RED 60	1			D9125	
A14E		B-21624	ABRASIVEPAPER DELTA RED 60	1			D9125	
A14-1B		D-58584	ABRASIVE DELTA PAPER 60	1	O	D9125		

B:TM30DZKX3(N)
C:TM30DWYJ(H)
D:TM30DWYJX3(H)
E:TM30DWYEX3(H)

Interchange
O : Yes
X : No
< : the new part can be substituted for the current.
> : the current part can be substituted for the new.
S : Interchangeable as a set.

