



TH	THAILAND
----	----------

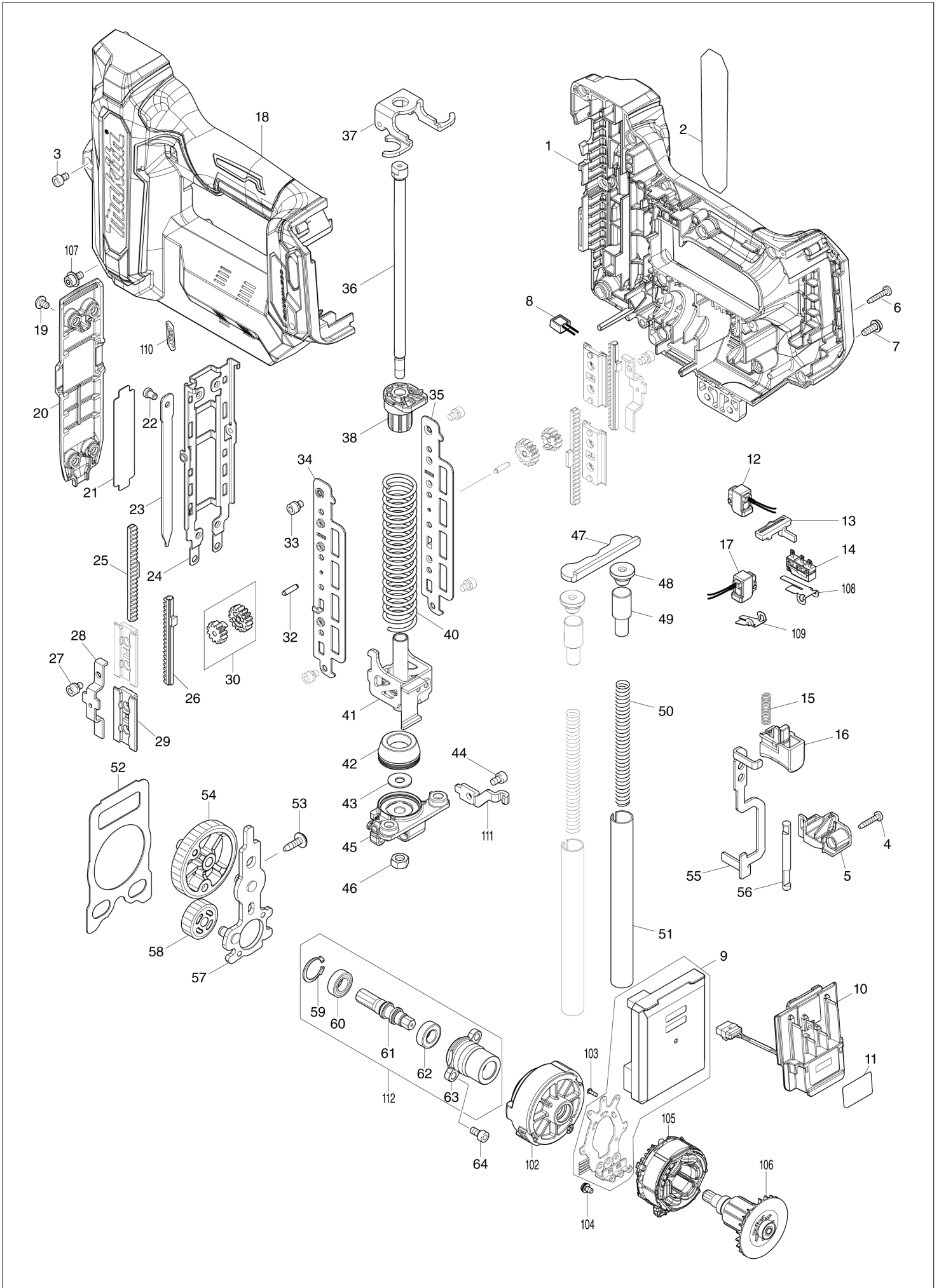
Diagram / Parts List

FN001G

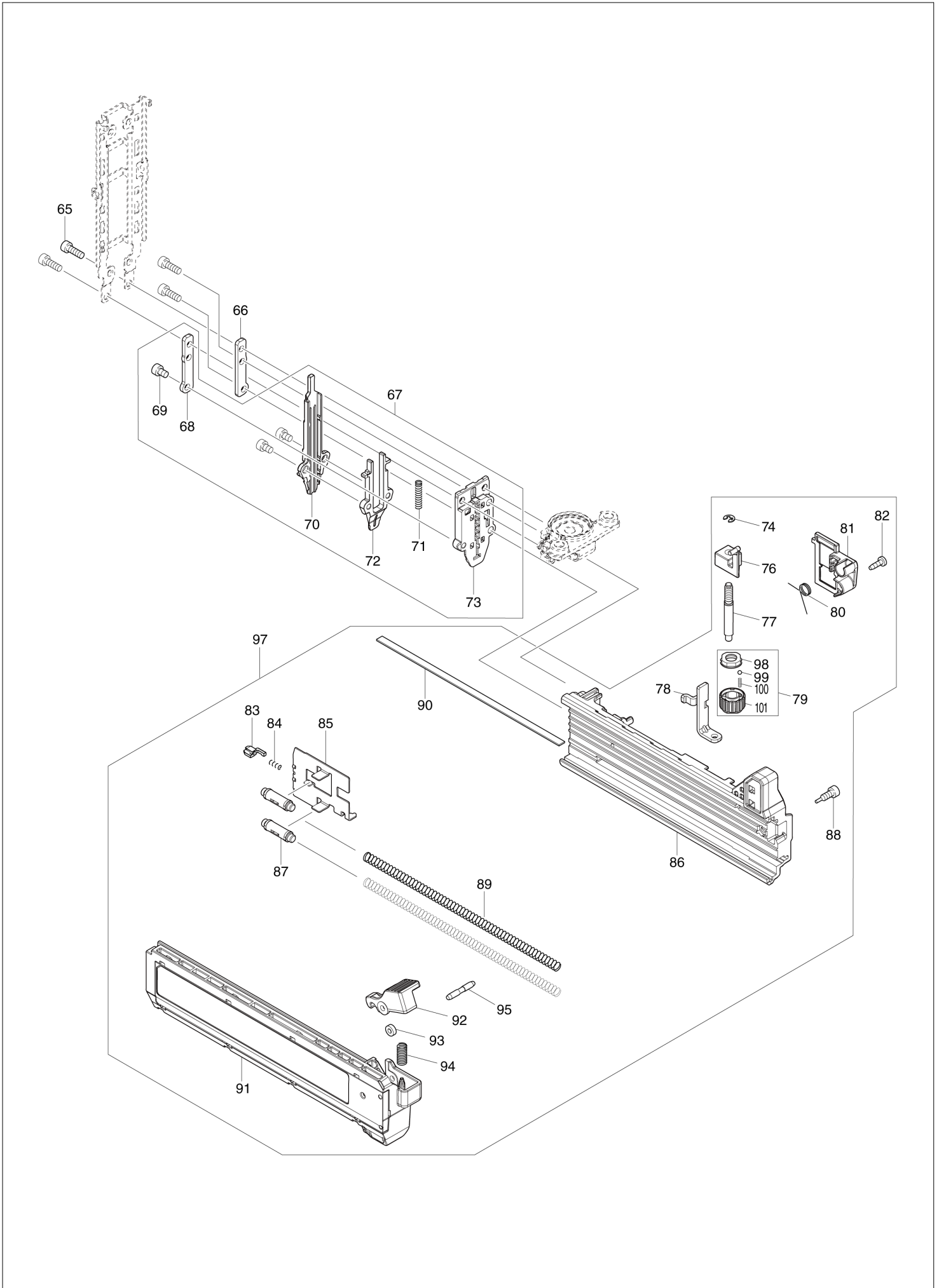
40MM CORDLESS BRAD NAILER



(TH) FN001G / 40MM CORDLESS BRAD NAILER



(TH) FN001G / 40MM CORDLESS BRAD NAILER



TH	THAILAND
-----------	-----------------

FN001G / 40MM CORDLESS BRAD NAILER

Item	Sub	Parts No.	Parts Description	Qty	I/C	E/C No.	Close No.	Remark
001		183S31-9	HOUSING SET	1				
	C10	263005-3	RUBBER PIN 6	2				
	C20	252126-6	HEX. LOCK NUT M4-7	2				
	D10		INC. 18					
002		811922-7	FN001G NAME PLATE	1				
003		266199-3	HEX.SOCKET HEAD BOLT M4X6	2				
004		266130-9	TAPPING SCREW BIND PT 3X16	1				
005		413327-3	HOUSING R COVER	1				
006		266130-9	TAPPING SCREW BIND PT 3X16	9				
007		911108-4	PAN HEAD SCREW M4X8	2				
008		620507-6	LED CIRCUIT	1				
009		620E11-5	CONTROLLER	1				
010		632P49-4	TERMINAL UNIT	1				
011		811926-9	FN001G SERIAL NO. LABEL	1				
012		140W22-7	SWITCH COMPLETE	1				
013		456799-9	TRIGGER LOCK	1				
014		632S31-1	SWITCH UNIT	1				
015		232370-1	COMPRESSION SPRING 5	1				
016		413328-1	TRIGGER	1				
017		140W22-7	SWITCH COMPLETE	1				
018		183S31-9	HOUSING SET	1				
	C10	263005-3	RUBBER PIN 6	2				
	C20	252126-6	HEX. LOCK NUT M4-7	2				
	D10		INC. 1					
019		915101-0	BINDING HEAD SCREW M4X6	4				
020		413326-5	FRONT COVER	1				
021		347528-0	UPPER PLATE	1				
022		256882-0	FLAT FILLISTER HD. PIN 4	1				
023		347791-5	DRIVER	1				
024		347793-1	RAIL	1				
025		313352-3	COUNTER WEIGHT A	2				
026		310925-3	COUNTER WEIGHT B	2				
027		251566-5	H.S.H BOLT M4X6 WITH W	2				
028		347146-4	PINION GUIDE	2				
029		413330-4	COUNTER WEIGHT HOLDER	4				
030		136104-3	SPUR GEAR ASSEMBLY	2				
032		326902-5	PINION SHAFT	2				
033		251566-5	H.S.H BOLT M4X6 WITH W	4			DA269	
033-1		266199-3	HEX.SOCKET HEAD BOLT M4X6	4	<	DA269		
034		347801-8	GUIDE RAIL L	1				
035		347802-6	GUIDE RAIL R	1				
036		327756-3	GUIDE BOLT	1				
037		347796-5	BOTTOM PLATE	1				
038		313353-1	BOTTOM HOLDER	1				
040		232670-9	COMPRESSION SPRING 16	1				
041		347794-9	HAMMER	1				
042		422664-4	CUSHION	1				
043		253804-1	FLAT WASHER 6	1				
044		922107-1	HEX. SOCKET HEAD BOLT M4X8	1				
045		312A82-9	HOLDER	1				
046		252273-3	HEX. NUT M6	1				
047		347797-3	COUNTER STOPPER	1				
048		422663-6	COUNTER CUSHION	2				
049		327757-1	WEIGHT	2				
050		232671-7	COMPRESSION SPRING 9	2				
051		327754-7	GUIDE PIPE	2				
052		347795-7	GEAR PLATE	1				
053		266901-4	TAPPING SCREW 4X14	1				
054		140Y40-7	SPUR GEAR 64 COMPLETE	1				
055		347800-0	LOCK ARM	1				
056		327753-9	LOCK PIN	1				
057		140Y39-2	BASE PLATE COMPLETE	1				
058		227860-7	SPUR GEAR 29	1				
059		962067-5	RETAINING RING R-17	1				
060		211099-2	BALL BEARING 689ZZ	1				

Interchange
O : Yes
X : No
< : the new part can be substituted for the current.
> : the current part can be substituted for the new.
S : Interchangeable as a set.

TH	THAILAND
----	----------

FN001G / 40MM CORDLESS BRAD NAILER

Item	Sub	Parts No.	Parts Description	Qty	I/C	E/C No.	Close No.	Remark
061		227859-2	SPUR GEAR 9	1				
062		211343-7	BALL BEARING 688ZZ	1				
063		312A84-5	BEARING CASE	1				
064		265911-8	HEX. SOCKET HEAD BOLT M4X8	2				
065		922117-8	HEX. SOCKET HEAD BOLT M4X12	4				
066		347523-0	PLATE	1				
067		127761-8	DRIVER GUIDE ASSEMBLY	1				
	D10		INC. 68-73					
068		347523-0	PLATE	1				
069		922102-1	HEX. SOCKET HEAD BOLT M4X6	3				
070		313350-7	DRIVER GUIDE	1				
071		232512-7	COMPRESSION SPRING 3	1				
072		313351-5	CENTER PLATE	1				
073		313349-2	SET PLATE	1				
074		961017-7	STOP RING E-3	1				
076		413321-5	CONTACT ARM	1				
077		327755-5	ADJUSTER SHAFT	1				
078		347799-9	ARM	1				
079		127763-4	ADJUSTER ASSEMBLY	1				
	D10		INC. 98-101					
080		232514-3	TORSION SPRING 7	1				
081		413325-7	ADJUSTER COVER	1				
082		266007-8	TAPPING SCREW BIND PT 3X10	1				
083		310176-8	STOPPER	1				
084		233018-8	COMPRESSION SPRING 3	1				
085		347792-3	PUSHER	1				
086		413324-9	MAGAZINE	1				
087		459313-0	SLEEVE	2				
088		265A52-6	HEX.SOCKET HEAD BOLT M4X14	1				
089		234325-2	COMPRESSION SPRING 6	2				
090		346774-2	NAIL PLATE	1				
091		140Y45-7	SLIDE DOOR COMPLETE	1				
092		413329-9	LEVER	1				
093		262054-7	URETHANE RING 3	1				
094		233117-6	COMPRESSION SPRING 6	1				
095		256877-3	PIN 3	1				
097		136392-2	MAGAZINE ASSY	1				
	D10		INC. 74,76-95					
098		413323-1	ADJUSTER GUIDE	1				
099		216031-1	STEEL BALL 2.3	1				
100		234254-9	COMPRESSION SPRING 2	1				
101		413322-3	ADJUSTER	1				
102		127760-0	GEAR ASSEMBLY	1				
103		266490-9	TAPPING SCREW PT 2X6	3				
104		652069-6	FLAT HEAD SCREW M3X6	3				
105		629464-5	STATOR	1				
106		619676-8	ROTOR	1				
107		265B75-0	H.S.H.BOLT M4X8 WITH WG	2				
108		232672-5	LEAF SPRING	1				
109		232673-3	LEAF SPRING	1				
110		8007R2-2	XGT LOGO LABEL	1				
111		347798-1	HOLDER PLATE	1				
112		136444-9	SPUR GEAR 9 ASSY	1				
	D10		INC. 59-63					
A01		195246-2	SAFETY GOGGLE	1				
A02		251314-2	+ SCREW M4X12	1				
A03		346317-0	HOOK	1				
A04		422665-2	NOSE ADAPTER S	1				
A05		783201-2	HEX. WRENCH 3	1				
A06		821551-8	CONNECTOR PLASTIC CASE (TYPE3)	1				
	C10	453974-8	LATCH	4				
A07		8031B8-1	FN001GZ02 PLASTIC CASE LABEL	2				
A11		835U86-9	INNER TRAY	1				
A12		8031B7-3	FN001GZ02 INDICATION LABEL	1				

Interchange
O : Yes
X : No
< : the new part can be substituted for the current.
> : the current part can be substituted for the new.
S : Interchangeable as a set.