



|    |          |
|----|----------|
| TH | THAILAND |
|----|----------|

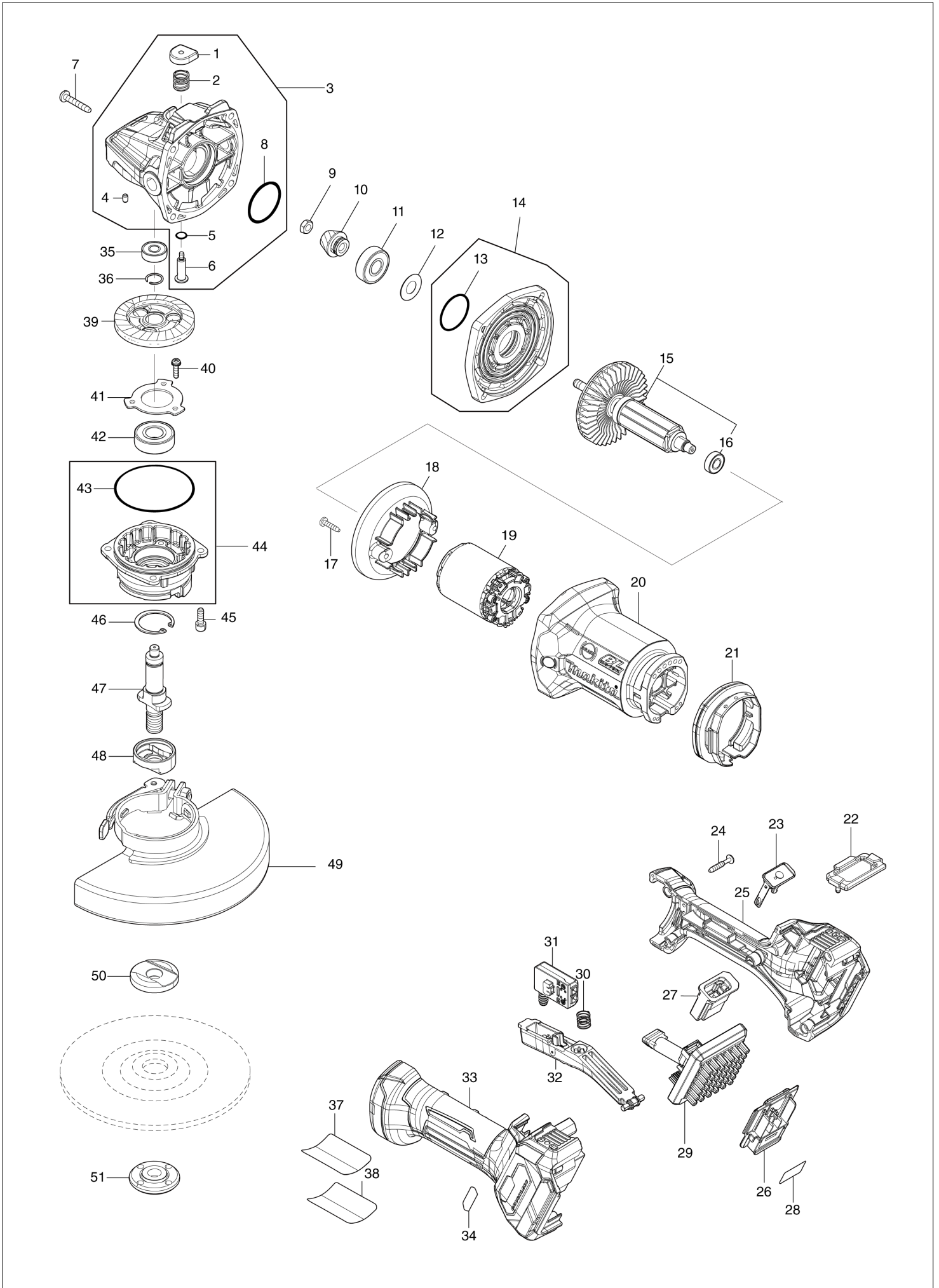
# Diagram / Parts List

**GA037G**

**180MM CORDLESS ANGLE GRINDER**



# (TH) GA037G / 180MM CORDLESS ANGLE GRINDER



|    |          |
|----|----------|
| TH | THAILAND |
|----|----------|

### GA037G / 180MM CORDLESS ANGLE GRINDER

| Item | Sub | Parts No. | Parts Description              | Qty | I/C | E/C No. | Close No. | Remark |
|------|-----|-----------|--------------------------------|-----|-----|---------|-----------|--------|
| 001  |     | 413219-6  | PIN CAP                        | 1   |     |         |           |        |
| 002  |     | 233292-8  | COMPRESSION SPRING 12          | 1   |     |         |           |        |
| 003  |     | 136365-5  | GEAR HOUSING ASS'Y             | 1   |     |         |           |        |
|      | D10 |           | INC. 1,2,4-6,8                 |     |     |         |           |        |
| 004  |     | 263002-9  | RUBBER PIN 4                   | 1   |     |         |           |        |
| 005  |     | 213026-5  | O RING 7                       | 1   |     |         |           |        |
| 006  |     | 256516-5  | SHOULDER PIN 11                | 1   |     |         |           |        |
| 007  |     | 266173-1  | TAPPING SCREW 5X30             | 4   |     |         |           |        |
| 008  |     | 213510-0  | O RING 36                      | 1   |     |         |           |        |
| 009  |     | 264010-3  | HEX.NUT M7                     | 1   |     |         |           |        |
| 010  |     | 227564-1  | SPIRAL BEVEL GEAR 10A          | 1   |     |         |           |        |
| 011  |     | 211137-0  | BALL BEARING 6201LLU           | 1   |     |         |           |        |
| 012  |     | 253759-0  | FLAT WASHER 12                 | 1   |     |         |           |        |
| 013  |     | 213459-4  | O RING 32                      | 1   |     |         |           |        |
| 014  |     | 136363-9  | GEAR HOUSING COVER ASS'Y       | 1   |     |         |           |        |
|      | D10 |           | INC. 13                        |     |     |         |           |        |
| 015  |     | 519436-7  | ROTOR ASS'Y                    | 1   |     |         |           |        |
|      | D10 |           | INC. 16                        |     |     |         |           |        |
| 016  |     | 211166-3  | BALL BEARING 698DDW            | 1   |     |         |           |        |
| 017  |     | 266326-2  | TAPPING SCREW 4X18             | 2   |     |         |           |        |
| 018  |     | 457618-2  | BAFFLE PLATE                   | 1   |     |         |           |        |
| 019  |     | 629A38-8  | STATOR                         | 1   |     |         |           |        |
| 020  |     | 457615-8  | MOTOR HOUSING                  | 1   |     |         |           |        |
| 021  |     | 457619-0  | VIBRATION PROOF RUBBER         | 1   |     |         |           |        |
| 022  |     | 422656-3  | DUST COVER                     | 1   |     |         |           |        |
| 023  |     | 140F99-0  | CAP COMPLETE                   | 1   |     |         |           |        |
|      | C10 | 213218-6  | O RING 16                      | 1   |     |         | DA223     |        |
|      | C11 | 213A05-9  | O-RING16                       | 1   | O   | DA223   |           |        |
|      | C20 | 818H07-8  | CAP LABEL                      | 1   |     |         |           |        |
| 024  |     | 265999-8  | TAPPING SCREW 4X25             | 5   |     |         |           |        |
| 025  |     | 183R97-3  | HANDLE SET                     | 1   |     |         |           |        |
|      | C10 | 263005-3  | RUBBER PIN 6                   | 2   |     |         |           |        |
|      | D10 |           | INC. 33                        |     |     |         |           |        |
| 026  |     | 632P49-4  | TERMINAL UNIT                  | 1   |     |         |           |        |
| 027  |     | 413218-8  | CONNECTOR CASE                 | 1   |     |         |           |        |
| 028  |     | 858A78-1  | GA037G SERIAL NO. LABEL        | 1   |     |         |           |        |
| 029  |     | 620E23-8  | CONTROLLER                     | 1   |     |         |           |        |
| 030  |     | 234357-9  | COMPRESSION SPRING 11          | 1   |     |         |           |        |
| 031  |     | 651083-9  | SWITCH C3XA-1PSPM              | 1   |     |         |           |        |
| 032  |     | 140X49-3  | SWITCH LEVER COMPLETE          | 1   |     |         |           |        |
| 033  |     | 183R97-3  | HANDLE SET                     | 1   |     |         |           |        |
|      | C10 | 263005-3  | RUBBER PIN 6                   | 2   |     |         |           |        |
|      | D10 |           | INC. 25                        |     |     |         |           |        |
| 034  |     | 8012U4-2  | XGT LOGO LABEL                 | 1   |     |         |           |        |
| 035  |     | 211032-4  | BALL BEARING 608ZZ             | 1   |     |         |           |        |
| 036  |     | 233925-5  | RING SPRING 13                 | 1   |     |         |           |        |
| 037  |     | 858A74-9  | GA037G NAME PLATE              | 1   |     |         |           |        |
| 038  |     | 8026G1-7  | CLEAR LABEL                    | 1   |     |         |           |        |
| 039  |     | 227562-5  | SPIRAL BEVEL GEAR 38           | 1   |     |         |           |        |
| 040  |     | 911128-8  | P.H.SCREW M4X16 WITH WR        | 3   |     |         |           |        |
| 041  |     | 285851-4  | BEARING RETAINER               | 1   |     |         |           |        |
| 042  |     | 211228-7  | BALL BEARING 6202DDW           | 1   |     |         |           |        |
| 043  |     | 213720-9  | O RING 67                      | 1   |     |         |           |        |
| 044  |     | 136364-7  | BEARING BOX ASS'Y              | 1   |     |         |           |        |
|      | D10 |           | INC. 43                        |     |     |         |           |        |
| 045  |     | 922221-3  | HEX. SOCKET HEAD BOLT M5X16    | 4   |     |         |           |        |
| 046  |     | 962151-6  | RETAINING RING R-32            | 1   |     |         |           |        |
| 047  |     | 326963-5  | SPINDLE                        | 1   |     |         |           |        |
| 048  |     | 310800-3  | LEAD FLANGE                    | 1   |     |         |           |        |
| 049  |     | 127713-9  | TOOLLESS WHEEL COVER 180F ASSY | 1   |     |         |           |        |
| 050  |     | 224447-6  | INNER FLANGE 42B               | 1   |     |         |           |        |
| 051  |     | 224485-8  | LOCK NUT 14-45                 | 1   |     |         |           |        |
| A01  |     | 143486-6  | GRIP 37 COMPLETE               | 1   |     |         |           |        |
| A02  |     | 782034-2  | LOCK NUT WRENCH 35             | 1   |     |         |           |        |
| A03B |     | 8027W3-1  | GA037GT201 MODEL NO. LABEL     | 1   |     |         |           |        |

B:GA037GT201(H)  
C:GA037GM201(H)

Interchange  
O : Yes  
X : No  
< : the new part can be substituted for the current.  
> : the current part can be substituted for the new.  
S : Interchangeable as a set.

