



TH	THAILAND
----	----------

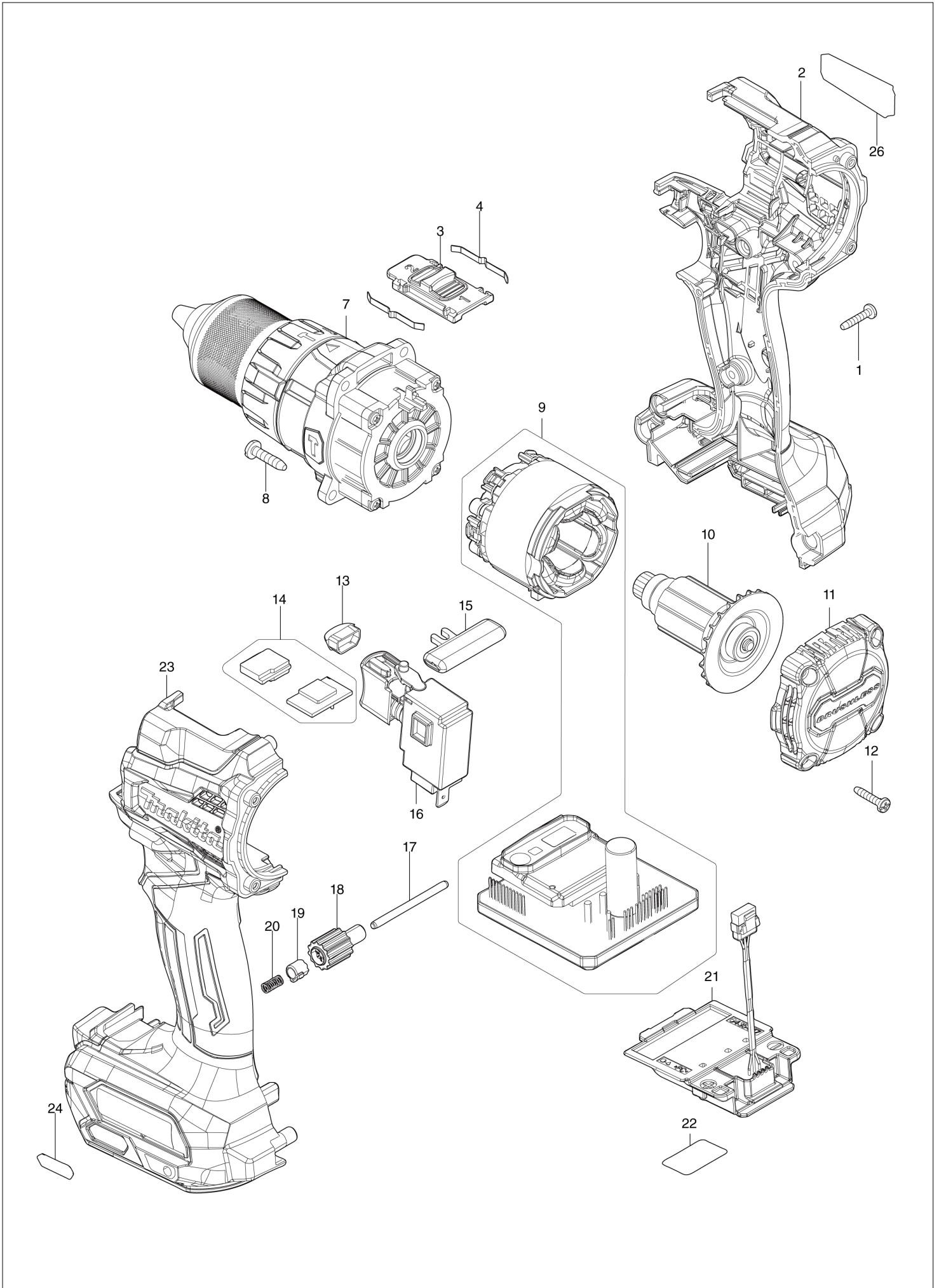
Diagram / Parts List

HP001G

CORDLESS HAMMER DRIVER DRILL



(TH) HP001G / CORDLESS HAMMER DRIVER DRILL



TH	THAILAND
----	----------

HP001G / CORDLESS HAMMER DRIVER DRILL

Item	Sub	Parts No.	Parts Description	Qty	I/C	E/C No.	Close No.	Remark
001		266130-9	TAPPING SCREW BIND PT 3X16	7				
002A		183N73-3	HOUSING SET	1			D7043	
	C10	263005-3	RUBBER PIN 6	2			D7043	
	C20	252126-6	HEX. LOCK NUT M4-7	2			D7043	
	C30	422569-8	SPONGE SHEET	2			D7043	
	D10		INC. 23				D7043	
002B		183N73-3	HOUSING SET	1			D7043	
	C10	263005-3	RUBBER PIN 6	2			D7043	
	C20	252126-6	HEX. LOCK NUT M4-7	2			D7043	
	C30	422569-8	SPONGE SHEET	2			D7043	
	D10		INC. 23				D7043	
002-1A		183S37-7	HOUSING SET	1	O	D7043		
	C10	263005-3	RUBBER PIN 6	2		D7043		
	C20	252126-6	HEX. LOCK NUT M4-7	2		D7043		
	C30	422569-8	SPONGE SHEET	2		D7043		
	D10		INC. 23			D7043		
002-1B		183S37-7	HOUSING SET	1	O	D7043		
	C10	263005-3	RUBBER PIN 6	2		D7043		
	C20	252126-6	HEX. LOCK NUT M4-7	2		D7043		
	C30	422569-8	SPONGE SHEET	2		D7043		
	D10		INC. 23			D7043		
002-1C		183S37-7	HOUSING SET	1				
	C10	263005-3	RUBBER PIN 6	2				
	C20	252126-6	HEX. LOCK NUT M4-7	2				
	C30	422569-8	SPONGE SHEET	2				
	D10		INC. 23					
003		127494-5	SPEED CHANGE LEVER ASSEMBLY	1				
	C10	233438-6	COMPRESSION SPRING 4	2				
004		232220-0	LEAF SPRING	2				
007A		136229-3	KEYLESS DRILL CHUCK ASS'Y	1			D6447	
007B		136229-3	KEYLESS DRILL CHUCK ASS'Y	1			D6447	
007-1A		136359-0	KEYLESS DRILL CHUCK ASS'Y	1	<	D6447	D7775	
	C10	763252-1	KEYLESS DRILL CHUCK 13	1		Y08412	D7775	
	C20	127727-8	GEAR ASSEMBLY	1		Y08412	D7775	
	C30	251468-5	- FLAT HEAD SCREW M6X22	1		Y08412	D7775	
007-1B		136359-0	KEYLESS DRILL CHUCK ASS'Y	1	<	D6447	D7775	
	C10	763252-1	KEYLESS DRILL CHUCK 13	1		Y08412	D7775	
	C20	127727-8	GEAR ASSEMBLY	1		Y08412	D7775	
	C30	251468-5	- FLAT HEAD SCREW M6X22	1		Y08412	D7775	
007-2A		136405-9	KEYLESS DRILL CHUCK ASS'Y	1	<	D7775		
	C10	763252-1	KEYLESS DRILL CHUCK 13	1		D7775		
	C20	122A40-5	GEAR ASSEMBLY	1		D7775		
	C30	251468-5	- FLAT HEAD SCREW M6X22	1		D7775		
007-2B		136405-9	KEYLESS DRILL CHUCK ASS'Y	1	<	D7775		
	C10	763252-1	KEYLESS DRILL CHUCK 13	1		D7775		
	C20	122A40-5	GEAR ASSEMBLY	1		D7775		
	C30	251468-5	- FLAT HEAD SCREW M6X22	1		D7775		
007-2C		136405-9	KEYLESS DRILL CHUCK ASS'Y	1				
	C10	763252-1	KEYLESS DRILL CHUCK 13	1				
	C20	122A40-5	GEAR ASSEMBLY	1				
	C30	251468-5	- FLAT HEAD SCREW M6X22	1				
008		266326-2	TAPPING SCREW 4X18	4				
009		629476-8	STATOR COMPLETE	1				
	C10	8009H0-8	SWITCH LABEL	1				
010		619613-2	ROTOR	1				
011		412361-0	REAR COVER	1				
012		266130-9	TAPPING SCREW BIND PT 3X16	4				
013		620549-0	LED CIRCUIT	1				
014		620C81-2	SENSOR CIRCUIT	1				
015		419041-9	F/R CHANGE LEVER	1				
016		651443-5	SWITCH C3JR-4B	1				
017		256949-4	ROD 3	1				
018		140R76-4	DIAL COMPLETE	1				
019		313288-6	DIAL CAM	1				
020		232597-3	COMPRESSION SPRING 3	1				

A:HP001GZ01(N)
 B:HP001GM201(H)
 C:HP001GD201(H)

Interchange
 O : Yes
 X : No
 < : the new part can be substituted for the current.
 > : the current part can be substituted for the new.
 S : Interchangeable as a set.

TH	THAILAND
-----------	-----------------

HP001G / CORDLESS HAMMER DRIVER DRILL

Item	Sub	Parts No.	Parts Description	Qty	I/C	E/C No.	Close No.	Remark
021		632P49-4	TERMINAL UNIT	1				
022		856S98-7	HP001G SERIAL NO. LABEL	1				
023A		183N73-3	HOUSING SET	1			D7043	
	C10	263005-3	RUBBER PIN 6	2			D7043	
	C20	252126-6	HEX. LOCK NUT M4-7	2			D7043	
	C30	422569-8	SPONGE SHEET	2			D7043	
	D10		INC. 2				D7043	
023B		183N73-3	HOUSING SET	1			D7043	
	C10	263005-3	RUBBER PIN 6	2			D7043	
	C20	252126-6	HEX. LOCK NUT M4-7	2			D7043	
	C30	422569-8	SPONGE SHEET	2			D7043	
	D10		INC. 2				D7043	
023-1A		183S37-7	HOUSING SET	1	O	D7043		
	C10	263005-3	RUBBER PIN 6	2		D7043		
	C20	252126-6	HEX. LOCK NUT M4-7	2		D7043		
	C30	422569-8	SPONGE SHEET	2		D7043		
	D10		INC. 2			D7043		
023-1B		183S37-7	HOUSING SET	1	O	D7043		
	C10	263005-3	RUBBER PIN 6	2		D7043		
	C20	252126-6	HEX. LOCK NUT M4-7	2		D7043		
	C30	422569-8	SPONGE SHEET	2		D7043		
	D10		INC. 2			D7043		
023-1C		183S37-7	HOUSING SET	1				
	C10	263005-3	RUBBER PIN 6	2				
	C20	252126-6	HEX. LOCK NUT M4-7	2				
	C30	422569-8	SPONGE SHEET	2				
	D10		INC. 2					
024		8007R2-2	XGT LOGO LABEL	1				
026		856S91-1	HP001G NAME PLATE	1				
A01		127551-9	GRIP ASSEMBLY	1			DE160	
	C10	140S65-5	ARM R COMPLETE	1			DE160	
	C20	140S66-3	POLE COMPLETE	1			DE160	
	C30	266886-4	HEX. BOLT M8X65	1			DE160	
	C40	319966-6	ARM L	1			DE160	
	C50	962055-2	RETAINING RING (INT) R-15	1			DE160	
	C60	265785-7	THUMB SCREW M5X10	1			DE160	
	C70	931202-6	HEX. NUT M5	1			DE160	
A01-1		122D08-9	GRIP ASSEMBLY	1	O	DE160		
	C10	140S65-5	ARM R COMPLETE	1		DE160		
	C20	140S66-3	POLE COMPLETE	1		DE160		
	C30	266886-4	HEX. BOLT M8X65	1		DE160		
	C40	319966-6	ARM L	1		DE160		
	C50	962055-2	RETAINING RING (INT) R-15	1		DE160		
	C60	265C34-0	THUMB SCREW M5X10	1		DE160		
	C70	931202-6	HEX. NUT M5	1		DE160		
A02		251314-2	+ SCREW M4X12	2				
A03		346317-0	HOOK	1				
A04		784637-8	+ - BIT 2-45	2				
A05		452947-8	BIT HOLDER	1				
A06		122576-8	STOPPER POLE ASS'Y	1				
A07B		412393-7	BATTERY COVER	1				
A07C		412393-7	BATTERY COVER	1				
A08B		***DC40RA	DC40RA FAST CHARGER	1				
	D10		COMPO-PARTS					
A08C		***DC40RA	DC40RA FAST CHARGER	1				
	D10		COMPO-PARTS					
A09B		191B32-1	BATTERY BL4040 SET	2				
A09C		191B42-8	BATTERY BL4025 SET	2				
A10		821551-8	CONNECTOR PLASTIC CASE (TYPE3)	1				
	C10	453974-8	LATCH	4				
A11		835F93-2	INNER TRAY	1				
A12A		8010K0-8	HP001GZ01 INDICATION LABEL	1				
A12B		8010L2-1	HP001GM201 INDICATION LABEL	1				
A12C		8010K2-4	HP001GD201 INDICATION LABEL	1				
A13A		8010K1-6	HP001GZ01 PLASTIC CASE LABEL	2				

A:HP001GZ01(N)
 B:HP001GM201(H)
 C:HP001GD201(H)

Interchange
 O : Yes
 X : No
 < : the new part can be substituted for the current.
 > : the current part can be substituted for the new.
 S : Interchangeable as a set.

