



TH	THAILAND
----	----------

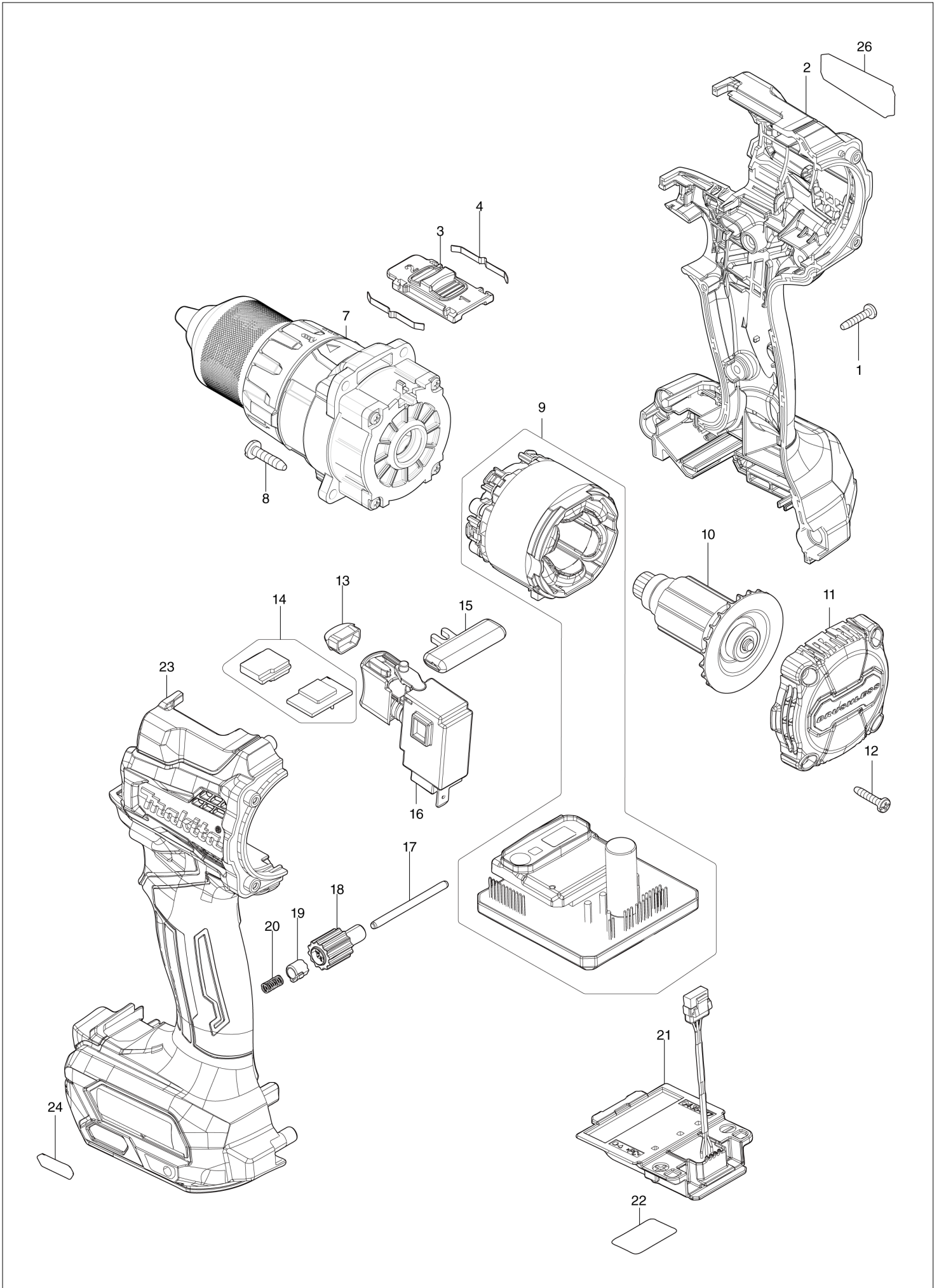
Diagram / Parts List

DF001G

CORDLESS DRIVER DRILL



(TH) DF001G / CORDLESS DRIVER DRILL



TH	THAILAND
-----------	-----------------

DF001G / CORDLESS DRIVER DRILL

Item	Sub	Parts No.	Parts Description	Qty	I/C	E/C No.	Close No.	Remark
001		266130-9	TAPPING SCREW BIND PT 3X16	7				
002		183N73-3	HOUSING SET	1			D7043	
	C10	263005-3	RUBBER PIN 6	2			D7043	
	C20	252126-6	HEX. LOCK NUT M4-7	2			D7043	
	C30	422569-8	SPONGE SHEET	2			D7043	
	D10		INC. 23				D7043	
002-1		183S37-7	HOUSING SET	1	O	D7043		
	C10	263005-3	RUBBER PIN 6	2		D7043		
	C20	252126-6	HEX. LOCK NUT M4-7	2		D7043		
	C30	422569-8	SPONGE SHEET	2		D7043		
	D10		INC. 23			D7043		
003		127494-5	SPEED CHANGE LEVER ASSEMBLY	1				
	C10	233438-6	COMPRESSION SPRING 4	2				
004		232220-0	LEAF SPRING	2				
007		136232-4	KEYLESS DRILL CHUCK ASS'Y	1			D6447	
007-1		136360-5	KEYLESS DRILL CHUCK ASS'Y	1	<	D6447	D7775	
	C10	763252-1	KEYLESS DRILL CHUCK 13	1		Y08412	D7775	
	C20	127728-6	GEAR ASSEMBLY	1		Y08412	D7775	
	C30	251468-5	- FLAT HEAD SCREW M6X22	1		Y08412	D7775	
007-2		136406-7	KEYLESS DRILL CHUCK ASS'Y	1	<	D7775		
	C10	763252-1	KEYLESS DRILL CHUCK 13	1		D7775		
	C20	122A41-3	GEAR ASSEMBLY	1		D7775		
	C30	251468-5	- FLAT HEAD SCREW M6X22	1		D7775		
008		266326-2	TAPPING SCREW 4X18	4				
009		629476-8	STATOR COMPLETE	1				
	C10	8009H0-8	SWITCH LABEL	1				
010		619613-2	ROTOR	1				
011		412361-0	REAR COVER	1				
012		266130-9	TAPPING SCREW BIND PT 3X16	4				
013		620549-0	LED CIRCUIT	1				
014		620C81-2	SENSOR CIRCUIT	1				
015		419041-9	F/R CHANGE LEVER	1				
016		651443-5	SWITCH C3JR-4B	1				
017		256949-4	ROD 3	1				
018		140R76-4	DIAL COMPLETE	1				
019		313288-6	DIAL CAM	1				
020		232597-3	COMPRESSION SPRING 3	1				
021		632P49-4	TERMINAL UNIT	1				
022		856T20-0	DF001G SERIAL NO. LABEL	1				
023		183N73-3	HOUSING SET	1			D7043	
	C10	263005-3	RUBBER PIN 6	2			D7043	
	C20	252126-6	HEX. LOCK NUT M4-7	2			D7043	
	C30	422569-8	SPONGE SHEET	2			D7043	
	D10		INC. 2				D7043	
023-1		183S37-7	HOUSING SET	1	O	D7043		
	C10	263005-3	RUBBER PIN 6	2		D7043		
	C20	252126-6	HEX. LOCK NUT M4-7	2		D7043		
	C30	422569-8	SPONGE SHEET	2		D7043		
	D10		INC. 2			D7043		
024		8007R2-2	XGT LOGO LABEL	1				
026		856T13-7	DF001G NAME PLATE	1				
A01		127552-7	GRIP ASSEMBLY	1				
	C10	140S65-5	ARM R COMPLETE	1				
	C20	140S66-3	POLE COMPLETE	1				
	C30	266886-4	HEX. BOLT M8X65	1				
	C40	319966-6	ARM L	1				
	C50	962055-2	RETAINING RING (INT) R-15	1				
A02		251314-2	+ SCREW M4X12	2				
A03		346317-0	HOOK	1				
A04		784637-8	+/- BIT 2-45	2				
A05		452947-8	BIT HOLDER	1				
A06B		412393-7	BATTERY COVER	1				
A07B		***DC40RA	DC40RA FAST CHARGER	1				
	D10		COMPO-PARTS					
A08B		191B42-8	BATTERY BL4025 SET	2				

A:DF001GZ01(N)
B:DF001GD201(H)

Interchange
O : Yes
X : No
< : the new part can be substituted for the current.
> : the current part can be substituted for the new.
S : Interchangeable as a set.

