



| | |
|----|----------|
| TH | THAILAND |
|----|----------|

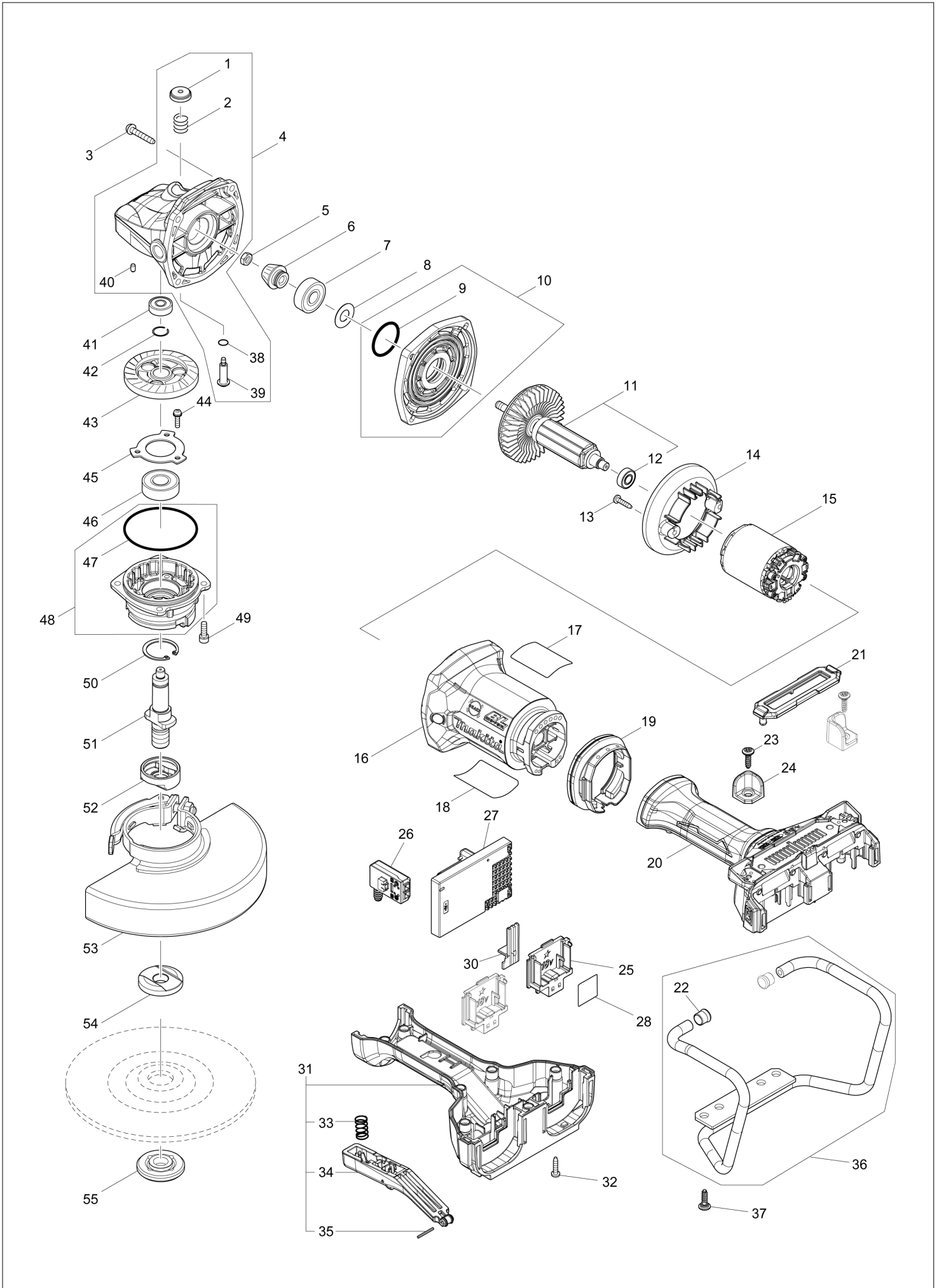
Diagram / Parts List

DGA700

180MM CORDLESS ANGLE GRINDER



(TH) DGA700 / 180MM CORDLESS ANGLE GRINDER



| | |
|-----------|-----------------|
| TH | THAILAND |
|-----------|-----------------|

DGA700 / 180MM CORDLESS ANGLE GRINDER

| Item | Sub | Parts No. | Parts Description | Qty | I/C | E/C No. | Close No. | Remark |
|-------|-----|-----------|-----------------------------|-----|-----|---------|-----------|--------|
| 001 | | 451485-7 | PIN CAP | 1 | | | | |
| 002 | | 233089-5 | COMPRESSION SPRING 12 | 1 | | | | |
| 003 | | 266173-1 | TAPPING SCREW 5X30 | 4 | | | | |
| 004 | | 135918-7 | GEAR HOUSING ASS'Y | 1 | | | | |
| | D10 | | INC. 1,2,38-40 | | | | | |
| 005 | | 264010-3 | HEX.NUT M7 | 1 | | | | |
| 006 | | 227564-1 | SPIRAL BEVEL GEAR 10A | 1 | | | | |
| 007 | | 211137-0 | BALL BEARING 6201LLU | 1 | | | | |
| 008 | | 253759-0 | FLAT WASHER 12 | 1 | | | | |
| 009 | | 213459-4 | O RING 32 | 1 | | | | |
| 010 | | 135916-1 | GEAR HOUSING COVER ASS'Y | 1 | | | | |
| | D10 | | INC. 9 | | | | | |
| 011 | | 519436-7 | ROTOR ASS'Y | 1 | | | C5156 | |
| | D10 | | INC. 12 | | | | C5156 | |
| 011-1 | | 519436-7 | ROTOR ASS'Y | 1 | O | C5156 | | |
| | D10 | | INC. 12 | | | C5156 | | |
| 012 | | 211166-3 | BALL BEARING 698DDW | 1 | | | | |
| 013 | | 266326-2 | TAPPING SCREW 4X18 | 2 | | | | |
| 014 | | 457618-2 | BAFFLE PLATE | 1 | | | | |
| 015 | | 629260-1 | STATOR | 1 | | | | |
| 016 | | 457615-8 | MOTOR HOUSING | 1 | | | | |
| 018 | | 853J61-7 | DGA700 NAME PLATE | 1 | | | | |
| 019 | | 457619-0 | VIBRATION PROOF RUBBER | 1 | | | | |
| 020 | | 135920-0 | HANDLE SWITCH LEVER ASS'Y | 1 | | | C8255 | |
| | C10 | 263005-3 | RUBBER PIN 6 | 4 | | | C8255 | |
| | D10 | | INC. 31,33-35 | | | | C8255 | |
| 020-1 | | 136109-3 | HANDLE SWITCH LEVER ASS'Y | 1 | < | C8255 | | |
| | C10 | 263005-3 | RUBBER PIN 6 | 4 | | C8255 | | |
| | D10 | | INC. 31,33-35 | | | C8255 | | |
| 021 | | 457620-5 | DUST COVER | 1 | | | | |
| 022 | | 422230-7 | CAP | 2 | | | | |
| 023 | | 251587-7 | H.L.TAPPING SCREW 5X18 | 2 | | | | |
| 024 | | 327048-0 | PROTECTION BLOCK | 2 | | | C5095 | |
| 024-1 | | 347482-8 | PROTECTION BLOCK | 2 | O | C5095 | | |
| 025 | | 644809-6 | TERMINAL | 2 | | | | |
| 026 | | 651083-9 | SWITCH C3XA-1PSPM | 1 | | | | |
| 027 | | 135935-7 | CONTROLLER ASSEMBLY | 1 | | | | |
| 028 | | 853J70-6 | DGA700 SERIAL NO. LABEL | 1 | | | | |
| 030 | | 457621-3 | LENS | 1 | | | | |
| 031 | | 135920-0 | HANDLE SWITCH LEVER ASS'Y | 1 | | | C8255 | |
| | C10 | 263005-3 | RUBBER PIN 6 | 4 | | | C8255 | |
| | D10 | | INC. 20,33-35 | | | | C8255 | |
| 031-1 | | 136109-3 | HANDLE SWITCH LEVER ASS'Y | 1 | < | C8255 | | |
| | C10 | 263005-3 | RUBBER PIN 6 | 4 | | C8255 | | |
| | D10 | | INC. 20,33-35 | | | C8255 | | |
| 032 | | 265999-8 | TAPPING SCREW 4X25 | 7 | | | | |
| 033 | | 234357-9 | COMPRESSION SPRING 11 | 1 | | | | |
| 034 | | 144584-9 | SWITCH LEVER COMPLETE | 1 | | | | |
| 035 | | 951019-1 | SPRING PIN 2-20 | 1 | | | | |
| 036 | | 135919-5 | GUARD PIPE ASS'Y | 1 | | | | |
| | D10 | | INC. 22 | | | | | |
| 037 | | 251587-7 | H.L.TAPPING SCREW 5X18 | 4 | | | | |
| 038 | | 213026-5 | O RING 7 | 1 | | | | |
| 039 | | 256516-5 | SHOULDER PIN 11 | 1 | | | | |
| 040 | | 263002-9 | RUBBER PIN 4 | 1 | | | | |
| 041 | | 211032-4 | BALL BEARING 608ZZ | 1 | | | | |
| 042 | | 233925-5 | RING SPRING 13 | 1 | | | | |
| 043 | | 227562-5 | SPIRAL BEVEL GEAR 38 | 1 | | | | |
| 044 | | 911128-8 | P.H.SCREW M4X16 WITH WR | 3 | | | | |
| 045 | | 285851-4 | BEARING RETAINER | 1 | | | | |
| 046 | | 211228-7 | BALL BEARING 6202DDW | 1 | | | | |
| 047 | | 213720-9 | O RING 67 | 1 | | | | |
| 048 | | 135917-9 | BEARING BOX ASS'Y | 1 | | | | |
| | D10 | | INC. 47 | | | | | |
| 049 | | 922221-3 | HEX. SOCKET HEAD BOLT M5X16 | 4 | | | | |

B:DGA700PT2(H)

Interchange
O : Yes
X : No
< : the new part can be substituted for the current.
> : the current part can be substituted for the new.
S : Interchangeable as a set.

