



| | |
|----|----------|
| TH | THAILAND |
|----|----------|

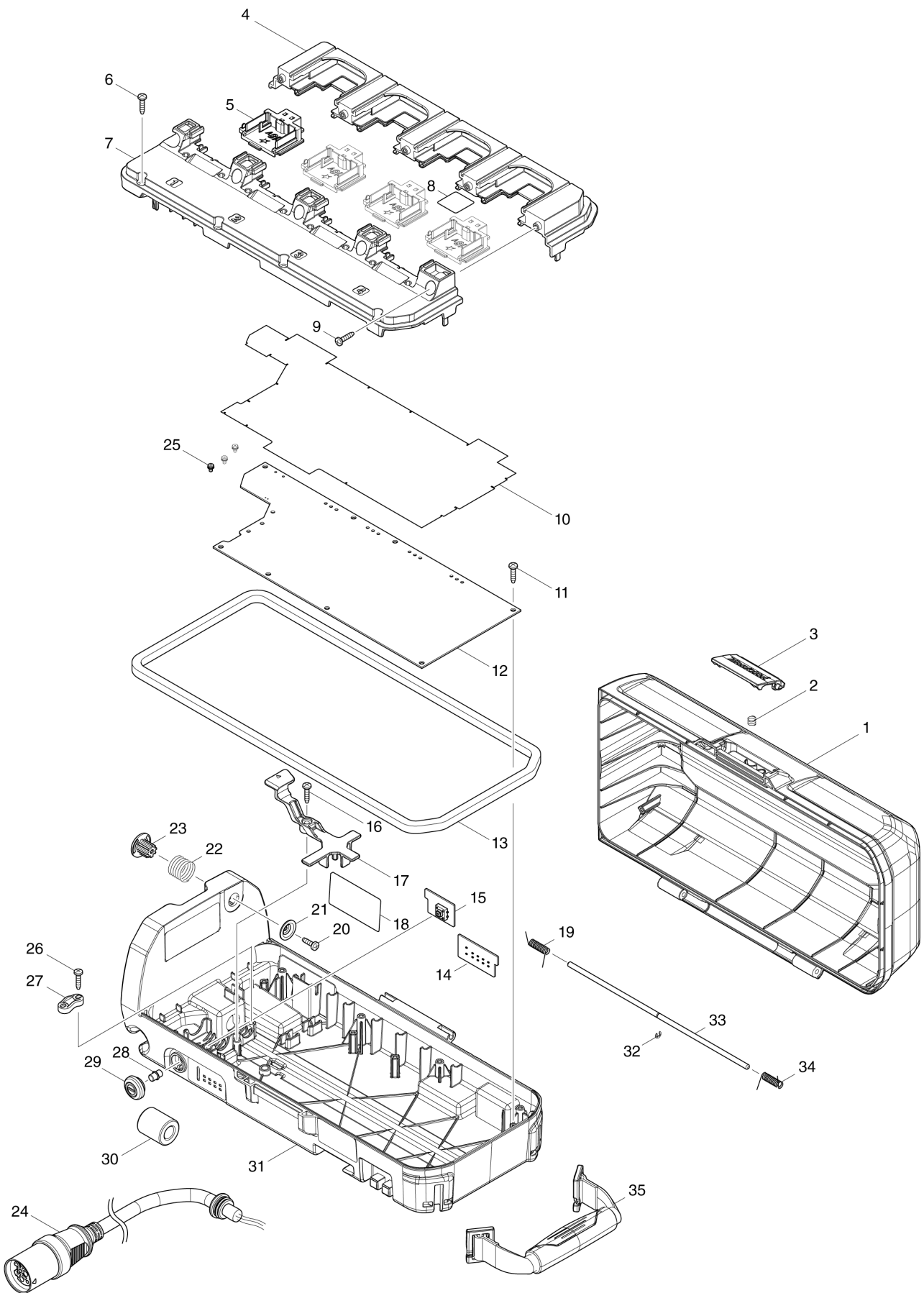
Diagram / Parts List

PDC01

PORTABLE POWER PACK



(TH) PDC01 / PORTABLE POWER PACK



| | |
|-----------|-----------------|
| TH | THAILAND |
|-----------|-----------------|

PDC01 / PORTABLE POWER PACK

| Item | Sub | Parts No. | Parts Description | Qty | I/C | E/C No. | Close No. | Remark |
|--------|-----|-----------|------------------------|-----|-----|---------|-----------|--------|
| 001 | | 140M87-9 | COVER COMPLETE | 1 | | | D6793 | |
| | C10 | 819S50-6 | INDICATION LABEL | 1 | | | D6793 | |
| 001-1 | | 140M87-9 | COVER COMPLETE | 1 | O | D6793 | | |
| | C10 | 819S50-6 | INDICATION LABEL | 1 | | D6793 | | |
| 002 | | 232537-1 | COMPRESSION SPRING 7 | 1 | | | | |
| 003 | | 459465-7 | LATCH A | 1 | | | | |
| 004 | | 183M63-0 | TERMINAL HOUSING SET | 1 | | | | |
| | D10 | | INC. 7 | | | | | |
| 005 | | 643540-1 | TERMINAL | 4 | | | | |
| 006 | | 266326-2 | TAPPING SCREW 4X18 | 8 | | | | |
| 007 | | 183M63-0 | TERMINAL HOUSING SET | 1 | | | | |
| | D10 | | INC. 4 | | | | | |
| 008 | | 855Y14-2 | PDC01 DATE CODE LABEL | 1 | | | | |
| 009 | | 266326-2 | TAPPING SCREW 4X18 | 5 | | | | |
| 010 | | 680398-7 | POLYCARBONATE SHEET | 1 | | | | |
| 011 | | 266326-2 | TAPPING SCREW 4X18 | 8 | | | | |
| 012 | | 620B46-8 | CONTROLLER | 1 | | | | |
| 013 | | 422468-4 | PACKING | 1 | | | | |
| 014 | | 620B50-7 | INDICATION CIRCUIT | 1 | | | | |
| 015 | | 620B51-5 | SWITCH CIRCUIT | 1 | | | | |
| 016 | | 266326-2 | TAPPING SCREW 4X18 | 1 | | | | |
| 017 | | 459532-8 | CORD COVER | 1 | | | | |
| 018 | | 855Y13-4 | PDC01 NAME PLATE | 1 | | | | |
| 019 | | 232536-3 | TORSION SPRING 5 | 1 | | | | |
| 020 | | 266385-6 | TAPPING SCREW 4X14 | 1 | | | | |
| 021 | | 253444-5 | CUP WASHER4 | 1 | | | | |
| 022 | | 232538-9 | COMPRESSION SPRING 19 | 1 | | | | |
| 023 | | 459471-2 | LOCK BUTTON | 1 | | | | |
| 024A | | 699135-8 | POWER SUPPLY CORD UNIT | 1 | | | D2004 | |
| | C10 | 682109-6 | GROMMET | 1 | | | D2004 | |
| 024B | | 699135-8 | POWER SUPPLY CORD UNIT | 1 | | | D2004 | |
| | C10 | 682109-6 | GROMMET | 1 | | | D2004 | |
| 024C | | 699135-8 | POWER SUPPLY CORD UNIT | 1 | | | D2004 | |
| | C10 | 682109-6 | GROMMET | 1 | | | D2004 | |
| 024D | | 699135-8 | POWER SUPPLY CORD UNIT | 1 | | | D2004 | |
| | C10 | 682109-6 | GROMMET | 1 | | | D2004 | |
| 024-1A | | 699154-4 | POWER SUPPLY CORD UNIT | 1 | | D2004 | | |
| | C10 | 682115-1 | GROMMET | 1 | | D2004 | | |
| 024-1B | | 699154-4 | POWER SUPPLY CORD UNIT | 1 | | D2004 | | |
| | C10 | 682115-1 | GROMMET | 1 | | D2004 | | |
| 024-1C | | 699154-4 | POWER SUPPLY CORD UNIT | 1 | | D2004 | | |
| | C10 | 682115-1 | GROMMET | 1 | | D2004 | | |
| 024-1D | | 699154-4 | POWER SUPPLY CORD UNIT | 1 | | D2004 | | |
| | C10 | 682115-1 | GROMMET | 1 | | D2004 | | |
| 024-1E | | 699154-4 | POWER SUPPLY CORD UNIT | 1 | | | | |
| | C10 | 682115-1 | GROMMET | 1 | | | | |
| 025 | | 652069-6 | FLAT HEAD SCREW M3X6 | 3 | | | | |
| 026 | | 266326-2 | TAPPING SCREW 4X18 | 2 | | | | |
| 027 | | 687149-9 | STRAIN RELIEF | 1 | | | | |
| 028 | | 459470-4 | SWITCH PIN | 1 | | | | |
| 029 | | 422469-2 | SWITCH BUTTON | 1 | | | | |
| 030 | | 688233-3 | LINE FILTER | 1 | | | | |
| 031A | | 140M85-3 | FRAME COMPLETE | 1 | | | D1912 | |
| | C10 | 819S49-1 | INDICATION LABEL | 1 | | | D1912 | |
| | C20 | 819S51-4 | CAUTION LABEL | 1 | | | D1912 | |
| | C30 | 819S53-0 | INDICATION LABEL | 1 | | | D1912 | |
| 031B | | 140M85-3 | FRAME COMPLETE | 1 | | | D1912 | |
| | C10 | 819S49-1 | INDICATION LABEL | 1 | | | D1912 | |
| | C20 | 819S51-4 | CAUTION LABEL | 1 | | | D1912 | |
| | C30 | 819S53-0 | INDICATION LABEL | 1 | | | D1912 | |
| 031C | | 140M85-3 | FRAME COMPLETE | 1 | | | D1912 | |
| | C10 | 819S49-1 | INDICATION LABEL | 1 | | | D1912 | |
| | C20 | 819S51-4 | CAUTION LABEL | 1 | | | D1912 | |
| | C30 | 819S53-0 | INDICATION LABEL | 1 | | | D1912 | |
| 031D | | 140M85-3 | FRAME COMPLETE | 1 | | | D1912 | |

A:PDC01(N)
 B:PDC01(N)
 C:PDC01(H)
 D:PDC01(H)
 E:PDC01(N)

Interchange
 O : Yes
 X : No
 < : the new part can be substituted for the current.
 > : the current part can be substituted for the new.
 S : Interchangeable as a set.

| | |
|-----------|-----------------|
| TH | THAILAND |
|-----------|-----------------|

PDC01 / PORTABLE POWER PACK

| Item | Sub | Parts No. | Parts Description | Qty | I/C | E/C No. | Close No. | Remark |
|--------|-----|-----------|-------------------|-----|-----|---------|-----------|--------|
| | C10 | 819S49-1 | INDICATION LABEL | 1 | | | D1912 | |
| | C20 | 819S51-4 | CAUTION LABEL | 1 | | | D1912 | |
| | C30 | 819S53-0 | INDICATION LABEL | 1 | | | D1912 | |
| 031-1A | | 140M85-3 | FRAME COMPLETE | 1 | < | D1912 | | |
| | C10 | 819S49-1 | INDICATION LABEL | 1 | | D1912 | | |
| | C20 | 819S51-4 | CAUTION LABEL | 1 | | D1912 | | |
| | C30 | 819S53-0 | INDICATION LABEL | 1 | | D1912 | | |
| 031-1B | | 140M85-3 | FRAME COMPLETE | 1 | < | D1912 | | |
| | C10 | 819S49-1 | INDICATION LABEL | 1 | | D1912 | | |
| | C20 | 819S51-4 | CAUTION LABEL | 1 | | D1912 | | |
| | C30 | 819S53-0 | INDICATION LABEL | 1 | | D1912 | | |
| 031-1C | | 140M85-3 | FRAME COMPLETE | 1 | < | D1912 | | |
| | C10 | 819S49-1 | INDICATION LABEL | 1 | | D1912 | | |
| | C20 | 819S51-4 | CAUTION LABEL | 1 | | D1912 | | |
| | C30 | 819S53-0 | INDICATION LABEL | 1 | | D1912 | | |
| 031-1D | | 140M85-3 | FRAME COMPLETE | 1 | < | D1912 | | |
| | C10 | 819S49-1 | INDICATION LABEL | 1 | | D1912 | | |
| | C20 | 819S51-4 | CAUTION LABEL | 1 | | D1912 | | |
| | C30 | 819S53-0 | INDICATION LABEL | 1 | | D1912 | | |
| 031-1E | | 140M85-3 | FRAME COMPLETE | 1 | | | | |
| | C10 | 819S49-1 | INDICATION LABEL | 1 | | | | |
| | C20 | 819S51-4 | CAUTION LABEL | 1 | | | | |
| | C30 | 819S53-0 | INDICATION LABEL | 1 | | | | |
| 032 | | 961017-7 | STOP RING E-3 | 1 | | | | |
| 033A | | 256883-8 | ROD 4 | 1 | | | D1912 | |
| 033B | | 256883-8 | ROD 4 | 1 | | | D1912 | |
| 033C | | 256883-8 | ROD 4 | 1 | | | D1912 | |
| 033D | | 256883-8 | ROD 4 | 1 | | | D1912 | |
| 033-1A | | 256883-8 | ROD 4 | 1 | < | D1912 | | |
| 033-1B | | 256883-8 | ROD 4 | 1 | < | D1912 | | |
| 033-1C | | 256883-8 | ROD 4 | 1 | < | D1912 | | |
| 033-1D | | 256883-8 | ROD 4 | 1 | < | D1912 | | |
| 033-1E | | 256883-8 | ROD 4 | 1 | | | | |
| 034 | | 232541-0 | TORSION SPRING 5 | 1 | | | | |
| 035 | | 162658-4 | HANDLE COMPLETE | 1 | | | | |
| A01 | | 127347-8 | HARNESS ASSEMBLY | 1 | | | D4964 | |
| | D10 | | COMPO-PARTS | | | | D4964 | |
| A01-1 | | 127347-8 | HARNESS ASSEMBLY | 1 | < | D4964 | D5925 | |
| | D10 | | COMPO-PARTS | | | D4964 | D5925 | |
| A01-2 | | 127347-8 | HARNESS ASSEMBLY | 1 | O | D5925 | D5596 | |
| | D10 | | COMPO-PARTS | | | D5925 | D5596 | |
| A01-3 | | 127347-8 | HARNESS ASSEMBLY | 1 | < | D5596 | | |
| | D10 | | COMPO-PARTS | | | D5596 | | |
| A02A | | 191A52-9 | ADAPTER SET | 1 | | | D2004 | |
| | D10 | | COMPO-PARTS | | | | D2004 | |
| A02B | | 191A52-9 | ADAPTER SET | 1 | | | D2004 | |
| | D10 | | COMPO-PARTS | | | | D2004 | |
| A02C | | 191A52-9 | ADAPTER SET | 1 | | | D2004 | |
| | D10 | | COMPO-PARTS | | | | D2004 | |
| A02D | | 191A52-9 | ADAPTER SET | 1 | | | D2004 | |
| | D10 | | COMPO-PARTS | | | | D2004 | |
| A02-1A | | 191J51-5 | ADAPTER SET | 1 | < | D2004 | | |
| | D10 | | COMPO-PARTS | | | D2004 | | |
| A02-1B | | 191J51-5 | ADAPTER SET | 1 | < | D2004 | | |
| | D10 | | COMPO-PARTS | | | D2004 | | |
| A02-1C | | 191J51-5 | ADAPTER SET | 1 | < | D2004 | | |
| | D10 | | COMPO-PARTS | | | D2004 | | |
| A02-1D | | 191J51-5 | ADAPTER SET | 1 | < | D2004 | | |
| | D10 | | COMPO-PARTS | | | D2004 | | |
| A03A | | 191A53-7 | ADAPTER SET | 1 | | | D2004 | |
| | D10 | | COMPO-PARTS | | | | D2004 | |
| A03C | | 191A53-7 | ADAPTER SET | 1 | | | D2004 | |
| | D10 | | COMPO-PARTS | | | | D2004 | |
| A03-1A | | 191J50-7 | ADAPTER SET | 1 | < | D2004 | | |
| | D10 | | COMPO-PARTS | | | D2004 | | |

A:PDC01(N)
 B:PDC01(N)
 C:PDC01(H)
 D:PDC01(H)
 E:PDC01(N)

Interchange
 O : Yes
 X : No
 < : the new part can be substituted for the current.
 > : the current part can be substituted for the new.
 S : Interchangeable as a set.

