



TH	THAILAND
----	----------

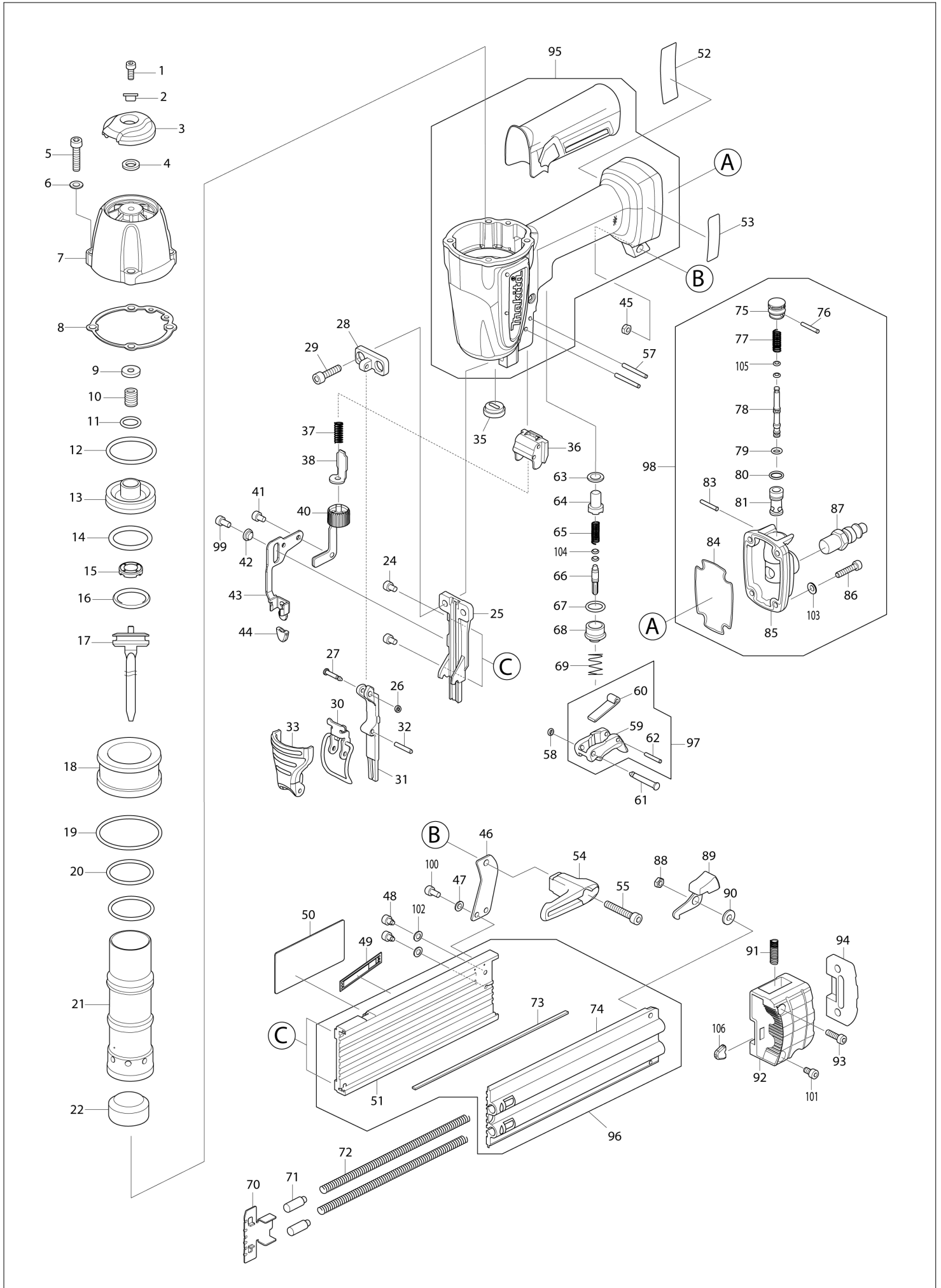
Diagram / Parts List

AF506

PNEUMATIC BRAD NAILER



(TH) AF506 / PNEUMATIC BRAD NAILER



TH	THAILAND
-----------	-----------------

AF506 / PNEUMATIC BRAD NAILER

Item	Sub	Parts No.	Parts Description	Qty	I/C	E/C No.	Close No.	Remark
001		HY00000001	HEX.SOCKET HEAD BOLT M4X10	1				
002		HY00000002	SLEEVE4	1				
003		HY00000508	EXHAUSTCOVER	1				
004		HY00000004	RUBBER WASHER 7	1				
005		HY00000049	HEX.SOCKET HEAD BOLT M5X22	4				
006		HY00000160	FLAT WASHER 5	4				
007		HY00000511	TOPCAP	1				
008		HY00000509	TOPCAPGASCKET	1				
009		HY00000008	CUSHION V	1				
010		HY00000629	COMPRESSIONSPRING7	1				
011		HY00000010	O-RING 12	1				
012		HY00000011	O-RING 33	1				
013		HY00000507	HEADVALVE	1				
014		HY00000408	ORING26.5	1				
015		HY00000014	CUSHION P	1				
016		HY00000400	ORING22.5	1				
017		HY00000911	DRIVER COMPLETE	1				
018		HY00000912	CYLINDER SEPARATER	1				
019		HY00000016	O-RING 46	1				
020		HY00000409	ORING30.5	2				
021		HY00000913	CYLINDER	1				
022		HY00000546	FRONTCUSHION	1				
024		HY00000074	HEX.SOCKET HEAD BOLT M4X8	2				
025		HY00000914	DRIVER GUIDE	1				
026		HY00000043	RUBBER RING 2	1				
027		HY00000915	COVER PLATE PIN	1				
028		HY00000916	PLATE	1				
029		HY00000005	HEX.SOCKET HEAD BOLT M5X20	2				
030		HY00000917	LATCH	1				
031		HY00000918	DOOR	1				
032		HY00000531	SPRINGPIN3-22	1				
033		HY00000919	LATCH COVER	1				
035		HY00000023	FRONT SEAL	1				
036		HY00000506	HOLDER	1				
037		HY00000421	COMPRESSIONSPRING5	1				
038		HY00000444	UPPERYOKE	1				
040		HY00000950	CONTACT ARM COMPLETE	1				
041		HY00000649	HEX.SOCKETHEADBOLTM4X4	1				
042		HY00000633	BUSH	1				
043		HY00000923	CONTACT TOP	1				
044		HY00000378	NOSE ADAPTER (2PCS)	1				
	D10		INC. 106					
045		HY00000924	HEX. LOCK NUT M5	1				
046		HY00000925	JOINT	1				
047		HY00000070	FLAT WASHER4	2				
048		HY00000926	HEX. SOCKET HEAD BOLT M4X6	2				
049		HY00000927	SENSORMATIC CHIP	1				
050		HY00000928	CAUTION LABEL1	1				
051		HY00000929	MAGAZINE	1				
052		HY00000930	AF506 NAME PLATE	1				
053		HY00000931	CAUTION LABEL2	1				
054		HY00000062	HOOK	1				
055		HY00000156	HEX.SOCKET HEAD BOLT M5X25	1				
057		HY00000024	SPRING PIN 3-26	2				
058		HY00000037	O-RING 3	1				
059		HY00000436	TRIGGER	1				
060		HY00000932	IDLER	1				
061		HY00000933	PIN4	1				
062		HY00000114	SPRING PIN 2.5-16	1				
063		HY00000033	RUBBER RING 8	1				
064		HY00000034	TRIGGER VALVE GUIDE	1				
065		HY00000035	COMPRESSION SPRING 4	1				
066		HY00000934	TRIGGER VALVE STEM	1				
067		HY00000039	O-RING 11	1				
068		HY00000038	TRIGGER VALVE CASE	1				

A:

Interchange
 O : Yes
 X : No
 < : the new part can be substituted for the current.
 > : the current part can be substituted for the new.
 S : Interchangeable as a set.

