



TH	THAILAND
----	----------

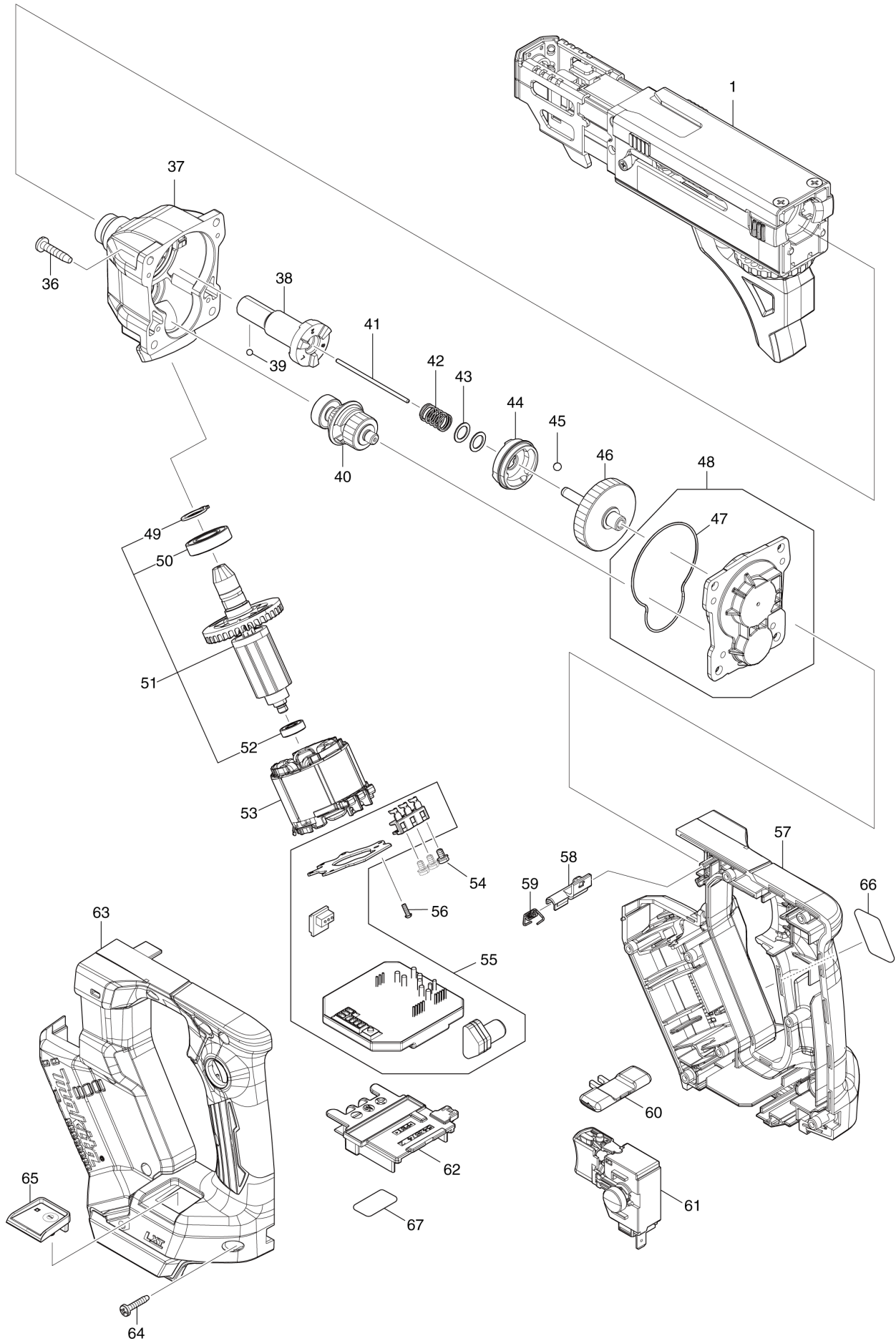
Diagram / Parts List

DFR452

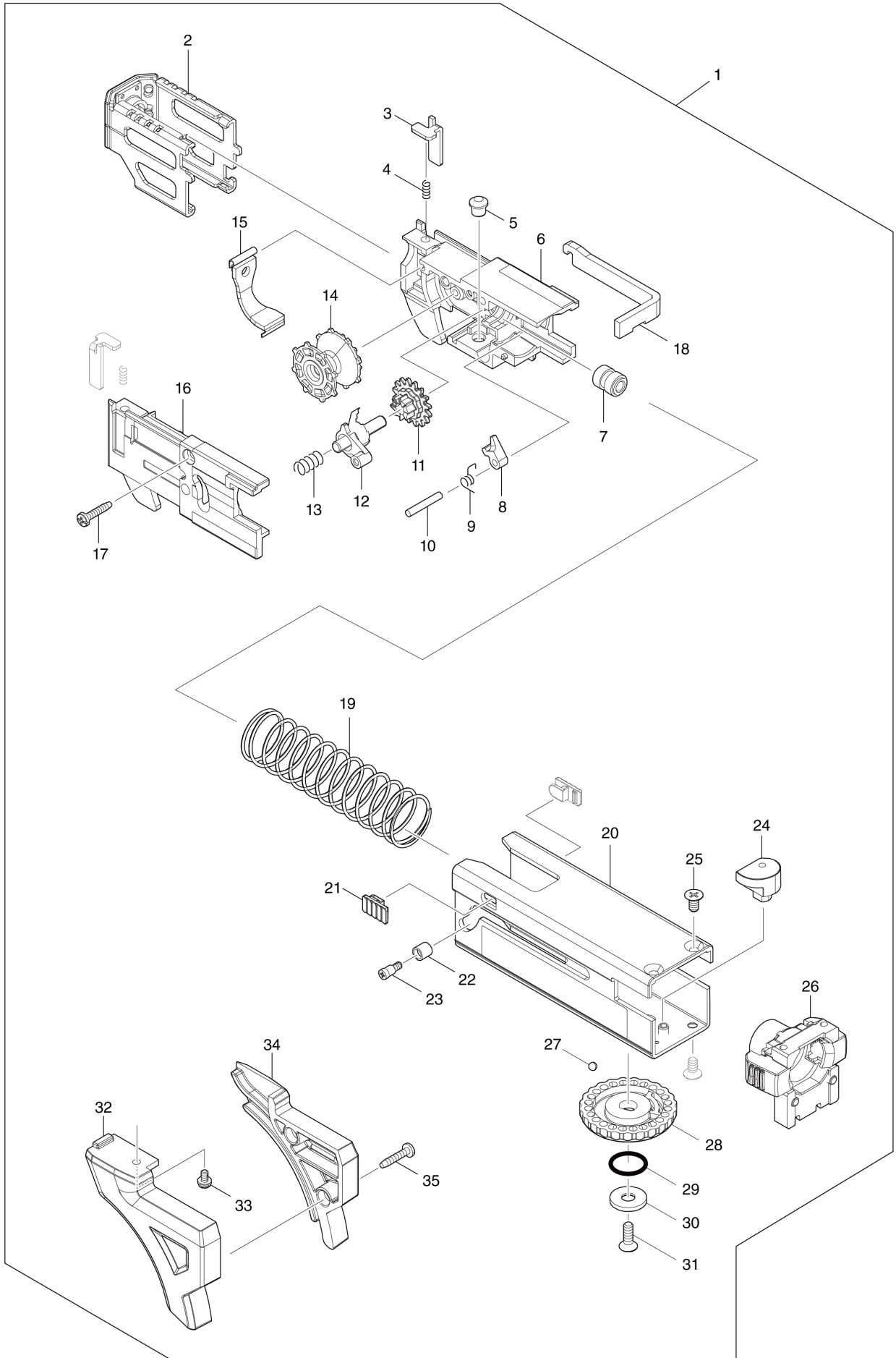
CORDLESS AUTO FEED SCREWDRIVER



(TH) DFR452 / CORDLESS AUTO FEED SCREWDRIVER



(TH) DFR452 / CORDLESS AUTO FEED SCREWDRIVER



TH	THAILAND
----	----------

DFR452 / CORDLESS AUTO FEED SCREWDRIVER

Item	Sub	Parts No.	Parts Description	Qty	I/C	E/C No.	Close No.	Remark
001		191W93-7	CASING 41 SET	1			DS257	
	D10		INC. 2-35				DC561	
	D11		INC. 2-35,68			DC561	DS257	
001-1		191W93-7	CASING 41 SET	1	O	DS257	DV186	
	D11		INC. 2-35,68			DS257	DV186	
001-2		1915G8-5	CASING 41 SET	1	O	DV186		
	D11		INC. 2-35,68			DV186		
002		141A76-5	STOPPER BASE COMPLETE	1			DV186	
	C10	422695-3	CAP	1			DV186	
002-1		1410Y5-7	STOPPER BASE COMPLETE	1	O	DV186		
	C10	422695-3	CAP	1		DV186		
003		345837-1	LEVER	2				
004		233211-4	COMPRESSION SPRING 2	2				
005		256451-7	PIN 6	1				
006		413525-9	FEEDER BOX	1				
007		257855-6	SLEEVE 5	1				
008		310062-3	STOPPER	1				
009		231636-6	TORSION SPRING 4	1				
010		256158-5	PIN 3	1				
011		226344-2	SPUR GEAR 16	1				
012		141A78-1	RATCHET ARM COMPLETE	1				
013		233212-2	COMPRESSION SPRING 6	1			DC561	
013-1		232771-3	COMPRESSION SPRING 5	1	<	DC561		
014		416518-5	WHEEL	1				
015		162934-6	DUST COVER	1				
016		141A75-7	BOX COVER COMPLETE	1			DS257	
016-1		141A75-7	BOX COVER COMPLETE	1	S	DS257		
017		266130-9	TAPPING SCREW BIND PT 3X16	1				
018		347825-4	PLATE	1				
019		232696-1	COMPRESSION SPRING 21	1				
020		141A74-9	CASING 41 COMPLETE	1			DS257	
	C10	8040Y5-5	INDICATION LABEL	1			DS257	
020-1		141A74-9	CASING 41 COMPLETE	1	S	DS257		
	C10	8040Y5-5	INDICATION LABEL	1		DS257		
021		450111-5	STOPPER	2				
022		257764-9	SLEEVE 4	1				
023		265177-0	+SHOULDER FLAT HEAD SCREW M3X5	1				
024		313378-5	SHIFTER PIN	1				
025		912107-9	COUNTERSUNK HEAD SCREW M4X8	3				
026		141A77-3	CLAMPER COMPLETE	1				
	C10	263032-0	RUBBER PIN 4	2				
027		216001-0	STEEL BALL 3.5	1				
028		417056-0	DIAL 42	1				
029		213107-5	O RING 12	1				
030		267201-5	FLAT WASHER 6	1				
031		912117-6	COUNTERSUNK HEAD SCREW M4X12	1				
032		183T81-0	SCREW GUIDE SET	1			Y09465	
	D10		INC. 34				Y09465	
032-1		413A56-4	SCREW GUIDE L	1	S	Y09465	DV186	
	D10		INC. 34			Y09465	DV186	
032-2		4132A6-2	SCREW GUIDE L	1	S	DV186		
033		265A38-0	P.H.SCREW M3X6 WITH WR	1				
034		183T81-0	SCREW GUIDE SET	1			Y09465	
	D10		INC. 32				Y09465	
034-1		413A57-2	SCREW GUIDE R	1	S	Y09465	DV186	
	D10		INC. 32			Y09465	DV186	
034-2		4132A7-0	SCREW GUIDE R	1	S	DV186		
035		266130-9	TAPPING SCREW BIND PT 3X16	2				
036		266045-0	TAPPING SCREW 4X20	4				
037		141A64-2	GEAR HOUSING COMPLETE	1				
	C10	213265-7	O RING 17	1				
	C20	213380-7	O RING 24	1				
038		141A67-6	SPINDLE 270S COMPLETE	1				
039		216019-1	STEEL BALL 3	1				
040		141J99-7	GEAR COMPLETE 21-25	1				

A:DFR452Z(N)
B:DFR452RTJ(H)

Interchange
O : Yes
X : No
< : the new part can be substituted for the current.
> : the current part can be substituted for the new.
S : Interchangeable as a set.

TH	THAILAND
-----------	-----------------

DFR452 / CORDLESS AUTO FEED SCREWDRIVER

Item	Sub	Parts No.	Parts Description	Qty	I/C	E/C No.	Close No.	Remark
041		268325-0	ROD 2	1				
042		234121-8	COMPRESSION SPRING 8	1				
043		267202-3	FLAT WASHER 8	2				
044		223192-0	CLUTCH CAM 270S	1				
045		216008-6	STEEL BALL 4	3				
046		141A63-4	GEAR COMPLETE 46	1				
047		422692-9	SEAL RING	1				
048		136412-2	GEAR HOUSING COVER ASSY	1				
	C10	422694-5	FELT	1				
	D10		INC. 47					
049		961052-5	RETAINING RING (EXT) S-12	1				
050		211288-9	BALL BEARING 6901DDW	1				
051		519685-6	ROTOR ASSY	1				
	D10		INC. 49,50,52					
052		210039-7	BALL BEARING 695DDW	1				
053		629A57-4	STATOR	1				
054		652069-6	FLAT HEAD SCREW M3X6	3				
055		620E75-9	CONTROLLER	1				
056		266490-9	TAPPING SCREW PT 2X6	3				
057		183T80-2	HOUSING SET	1			DD830	
	C10	263005-3	RUBBER PIN 6	2			DD830	
	C20	252126-6	HEX. LOCK NUT M4-7	2			DD830	
	D10		INC. 63				DD830	
057-1		183W94-9	HOUSING SET	1	S	DD830		
	C10	263005-3	RUBBER PIN 6	2		DD830		
	C20	252126-6	HEX. LOCK NUT M4-7	2		DD830		
	D10		INC. 63			DD830		
058		141A65-0	LEVER COMPLETE	1				
059		232703-0	TORSION SPRING 3	1				
060		455053-8	F/R CHANGE LEVER	1				
061		651088-9	SWITCH C3JW-4B-1L	1				
062		643874-2	TERMINAL	1				
063		183T80-2	HOUSING SET	1			DD830	
	C10	263005-3	RUBBER PIN 6	2			DD830	
	C20	252126-6	HEX. LOCK NUT M4-7	2			DD830	
	D10		INC. 57				DD830	
063-1		183W94-9	HOUSING SET	1	S	DD830		
	C10	263005-3	RUBBER PIN 6	2		DD830		
	C20	252126-6	HEX. LOCK NUT M4-7	2		DD830		
	D10		INC. 57			DD830		
064		266130-9	TAPPING SCREW BIND PT 3X16	8				
065		141G67-2	SWITCH PLATE COMPLETE	1			DD830	
	C10	8031T5-3	SWITCH LABEL	1			DD830	
065-1		141L34-7	SWITCH PLATE COMPLETE	1	S	DD830		
	C10	8031T5-3	SWITCH LABEL	1		DD830		
066		8110H0-9	DFR452 NAME PLATE	1				
067		8110H4-1	DFR452 SERIAL NO. LABEL	1				
068		253309-1	THIN WASHER 8	1		DC561		
069		808576-9	6000RPM INDICATION LABEL	1		DP653		
A01		266622-8	+ TRUSS HEAD SCREW M4X12	1				
A02		346317-0	HOOK	1				
A03		191V01-2	+ BIT2-137 SET	1				
A04B		821551-8	CONNECTOR PLASTIC CASE (TYPE3)	1				
	C10	453974-8	LATCH	4				
A05B		835Y86-3	INNER TRAY	1				
A06B		8041X7-0	DFR452RTJ INDICATION LABEL	1				
A07B		8041X8-8	DFR452RTJ PLASTIC CASE LABEL	2			Y09240	
A08B		***DC18RC	DC18RC FAST CHARGER	1				
	D10		COMPO-PARTS					
A09B		199282-0	BATTERY BL1850B SET	2				
A10B		450128-8	BATTERY COVER	2				
F01		191V01-2	+ BIT2-137 SET	1				
F02		191V03-8	SQUARE BIT 2-137 SET	1				
F03		191V05-4	POZIDRIVE BIT 2-137 SET	1				
F04		191W93-7	CASING 41 SET	1			DS257	

A:DFR452Z(N)
B:DFR452RTJ(H)

Interchange
O : Yes
X : No
< : the new part can be substituted for the current.
> : the current part can be substituted for the new.
S : Interchangeable as a set.

