



TH	THAILAND
----	----------

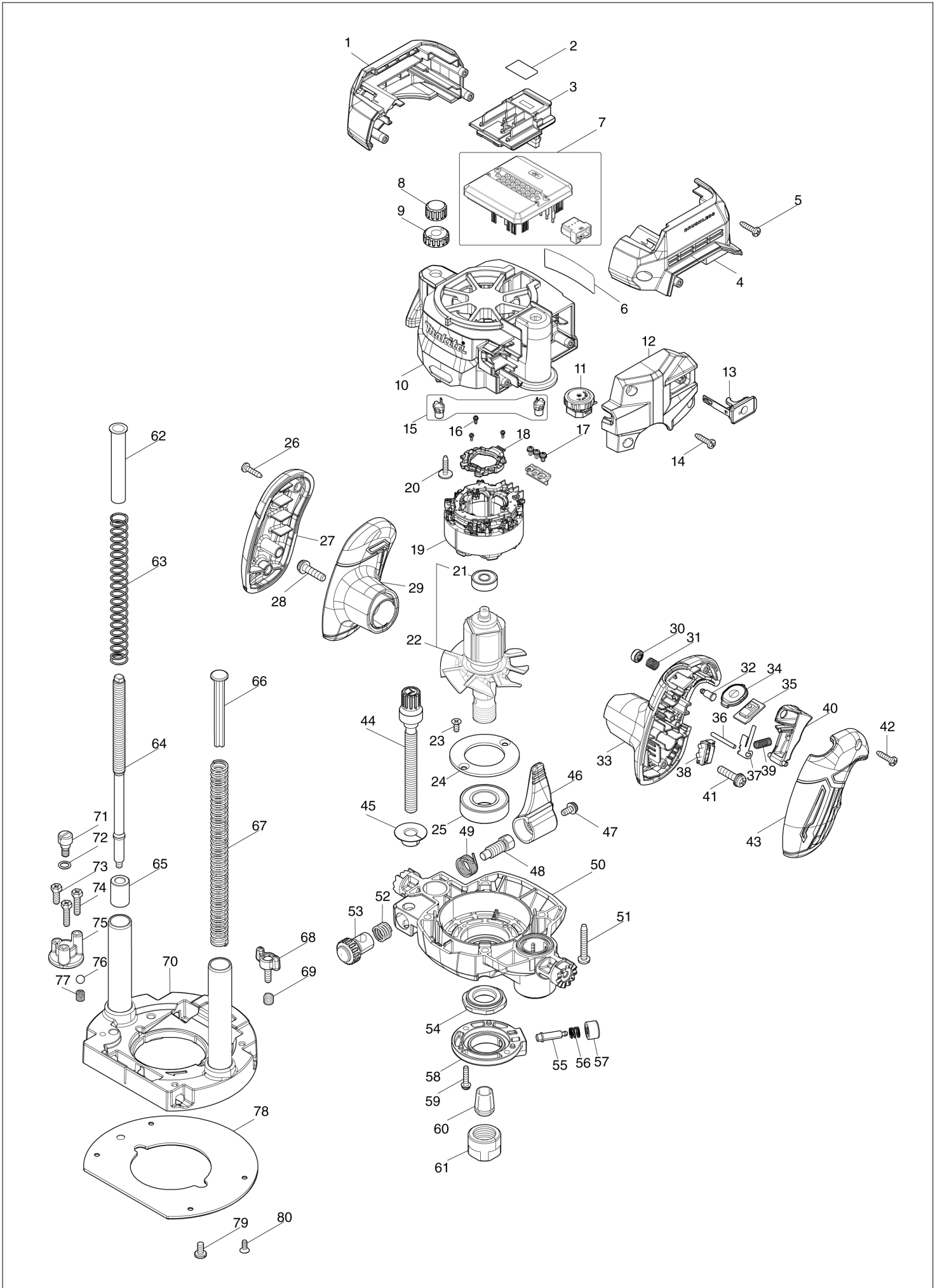
Diagram / Parts List

RP001G

CORDLESS ROUTER



(TH) RP001G / CORDLESS ROUTER



TH	THAILAND
----	----------

RP001G / CORDLESS ROUTER

Item	Sub	Parts No.	Parts Description	Qty	I/C	E/C No.	Close No.	Remark
001		1830L2-6	BATTERY HOUSING SET	1				
	C10	263005-3	RUBBER PIN 6	2				
	D10		INC. 4					
002		8146D1-4	RP001G SERIAL NO. LABEL	1				
003		632P65-6	TERMINAL UNIT	1				
004		1830L2-6	BATTERY HOUSING SET	1				
	C10	263005-3	RUBBER PIN 6	2				
	D10		INC. 1					
005		266326-2	TAPPING SCREW 4X18	3				
006		8146C9-1	RP001G NAME PLATE	1				
007		620P41-2	CONTROLLER	1				
008		252643-6	WING NUT M10	1				
009		410129-8	NYLON NUT M10	1				
010		137116-9	MOTOR HOUSING ASSEMBLY	1				
011		620P09-8	DIAL CIRCUIT	1				
012		4130A2-8	MOTOR HOUSING COVER	1				
013		140F99-0	CAP COMPLETE	1				
	C10	213A05-9	O-RING16	1				
014		266326-2	TAPPING SCREW 4X18	3				
015		620P08-0	LED CIRCUIT	1				
016		652119-7	PAN HEAD SCREW M2X6	3				
017		652031-1	PAN HEAD SCREW M3X6	3				
018		620P30-7	SENSOR UNIT	1				
019		629A40-1	STATOR	1				
020		265620-9	TAPPING SCREW FLANGE 4X18	2				
021		210005-4	BALL BEARING 608DDW	1				
022		519853-1	ROTOR ASSY	1				
	D10		INC. 21					
023		265135-6	+ COUNTERSUNK HEAD SCREW M4X1	2				
024		285711-0	BEARING RETAINER 50	1				
025		211326-7	BALL BEARING 6004DDW	1				
026		266326-2	TAPPING SCREW 4X18	2				
027		1830L5-0	GRIP COVER SET	1				
	D10		INC. 29					
028		911343-4	PAN HEAD SCREW M6X25	1				
029		1830L5-0	GRIP COVER SET	1				
	D10		INC. 27					
030		4130B0-9	LOCK ON BUTTON	1				
031		233127-3	COMPRESSION SPRING 7	1				
032		256A77-1	COLLARED PIN 6	1				
033		1830L4-2	GRIP COVER SET	1				
	D10		INC. 43					
034		142303-7	SWITCH PLATE COMPLETE	1				
035		620P29-2	SWITCH CIRCUIT	1				
036		256267-0	PIN 3	1				
037		232672-5	LEAF SPRING	1				
038		632V51-3	SWITCH UNIT	1				
039		231372-4	COMPRESSION SPRING 5	1				
040		4130A8-6	SWITCH LEVER	1				
041		911343-4	PAN HEAD SCREW M6X25	1				
042		266326-2	TAPPING SCREW 4X18	2				
043		1830L4-2	GRIP COVER SET	1				
	D10		INC. 33					
044		265739-4	THUMB SCREW M10X90	1				
045		452474-5	DEPTH POINTER	1				
046		450950-3	LOCK LEVER	1				
047		911213-7	PAN HEAD SCREW M5X12	1				
048		265D65-5	SET BOLT M10	1				
049		233538-2	TORSION SPRING 15	1				
050		141V92-3	MOTOR BRACKET COMPLETE	1				
051		266373-3	TAPPING SCREW 5X35	4				
052		231231-2	COMPRESSION SPRING 12	1				
053		153476-1	HALF NUT COMPLETE	1				
054		285059-0	RETAINER	1				
055		268234-3	COLLARED PIN 6	1				

A:RP001GZ(N)

Interchange
 O : Yes
 X : No
 < : the new part can be substituted for the current.
 > : the current part can be substituted for the new.
 S : Interchangeable as a set.

