



TH	THAILAND
----	----------

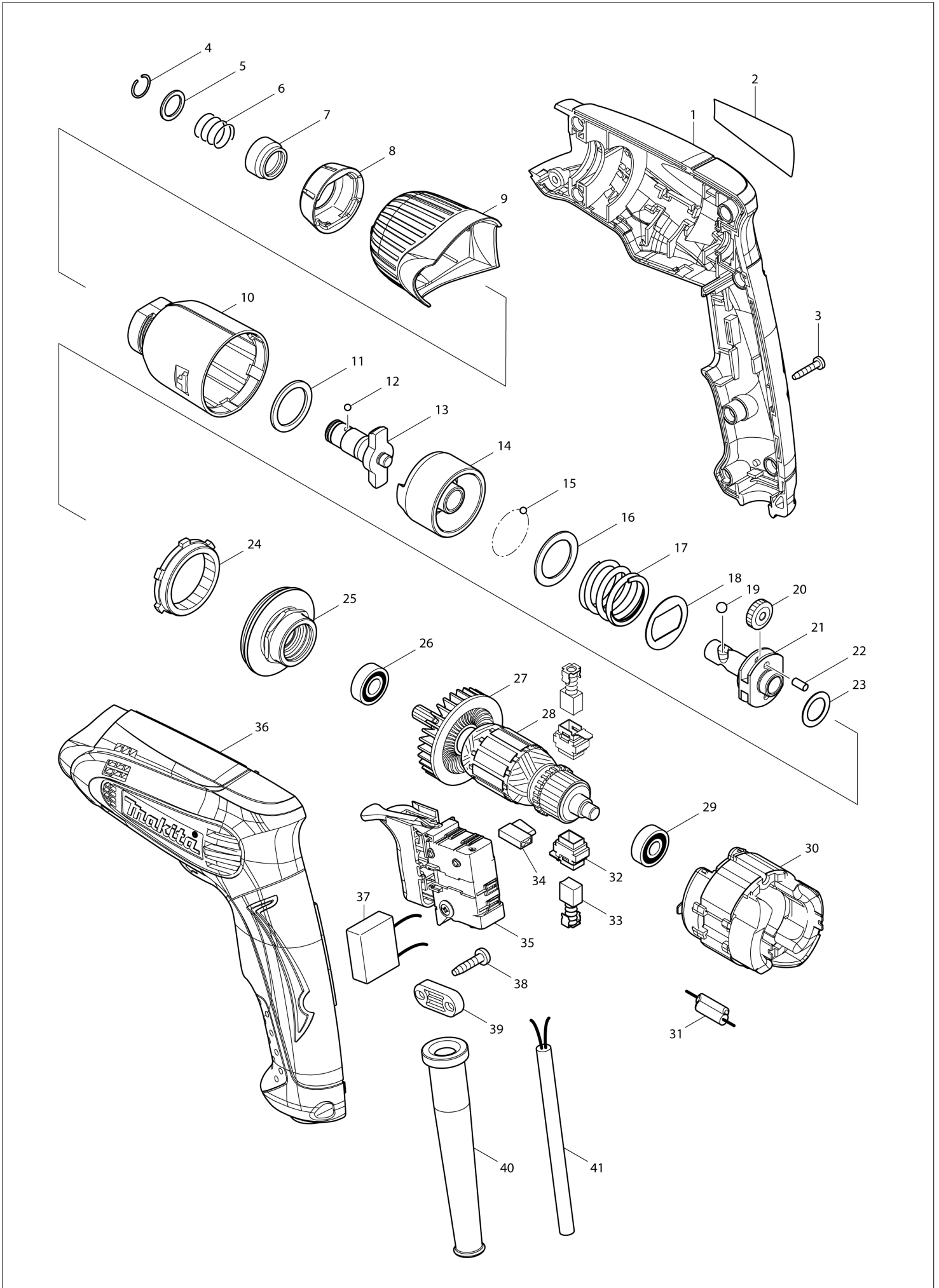
Diagram / Parts List

TD0100

IMPACT DRIVER



(TH) TD0100 / IMPACT DRIVER



TH	THAILAND
-----------	-----------------

TD0100 / IMPACT DRIVER

Item	Sub	Parts No.	Parts Description	Qty	I/C	E/C No.	Close No.	Remark
001		188619-6	HOUSING SET	1				
	D10		INC. 36					
002		866253-9	TD0100 NAME PLATE	1				
003		266429-2	TAPPING SCREW 3X16	8				
004		231965-7	RING SPRING 10	1				
005		267143-3	FLAT WASHER 11	1				
006		233005-7	COMPRESSION SPRING 13	1				
007		324711-6	BIT SLEEVE	1				
008		424184-4	BUMPER	1			89230	
008-1		424376-5	BUMPER	1	S	89230		
009		450976-5	HAMMER CASE COVER	1			89230	
009-1		452440-2	HAMMER CASE COVER	1	S	89230		
010		158898-0	HAMMER CASE COMPLETE	1				
011		261140-1	NYLON WASHER 20	1				
012		216019-1	STEEL BALL 3	2				
013		325618-9	ANVIL N	1			A8679	
013-1		326629-7	ANVIL N	1	O	A8679		
014		324894-2	HAMMER	1				
015		216019-1	STEEL BALL 3	24				
016		267380-9	FLAT WASHER 20	1				
017		234096-1	COMPRESSION SPRING 21	1				
018		267813-4	WASHER 21	1				
019		216002-8	STEEL BALL 4.8	2				
020		227213-0	SPUR GEAR 17	2				
021		324897-6	SPINDLE	1				
022		268217-3	PIN 3.5	2				
023		253052-2	FLAT WASHER 12	1				
024		227215-6	INTERNAL GEAR 43	1				
025		158899-8	BEARING BOX COMPLETE	1				
	C10	210112-3	BALL BEARING 6801LLB	1			D4206	
	C11	210242-0	BALL BEARING 6801LLB	1	O	D4206		
	C20	213325-5	O RING 19	1				
026		210013-5	BALL BEARING 698VV	1				
027		240046-6	FAN 46	1				
028		517653-3	ARMATURE ASSY 220V	1				
	D10		INC. 26,27,29					
029		210062-2	BALL BEARING 607ZZ	1				
030		635103-7	FIELD 220V	1				
032		643936-6	BRUSH HOLDER	2				
033		B-80086	CARBON BRUSH SET CB-419A	1			85070	
033-1		B-80422	CARBON BRUSH SET CB-419A	1	<	85070		
034		686039-3	RECEPTACLE SLEEVE	1				
035		650615-9	SWITCH C3TA-2	1				
036		188619-6	HOUSING SET	1				
	D10		INC. 1					
038		266326-2	TAPPING SCREW 4X18	2				
039		687124-5	STRAIN RELIEF	1				
040		682559-5	CORD GUARD 8	1				
041		691065-9	POWER SUPPLY CORD 0.75-2-2.5	1				
A01		784203-1	PHILLIPS BIT 2-65	1			89859	
A01-1		784203-1	PHILLIPS BIT 2-65	1	O	89859	DC711	
A01-2		784042-9	+BIT2-65	1	O	DC711		
F25		192121-3	KEYLESS DRILL CHUCK	1		84697		
F29		191880-6	DRILL CHUCK S10 & KEY SET	1		84978		
F30-1		198913-8	DRILL CHUCK SET	1	O	B8873		

<p>A:TD0100(H)</p>	<p>Interchange O : Yes X : No < : the new part can be substituted for the current. > : the current part can be substituted for the new. S : Interchangeable as a set.</p>
--------------------	--