



TH	THAILAND
----	----------

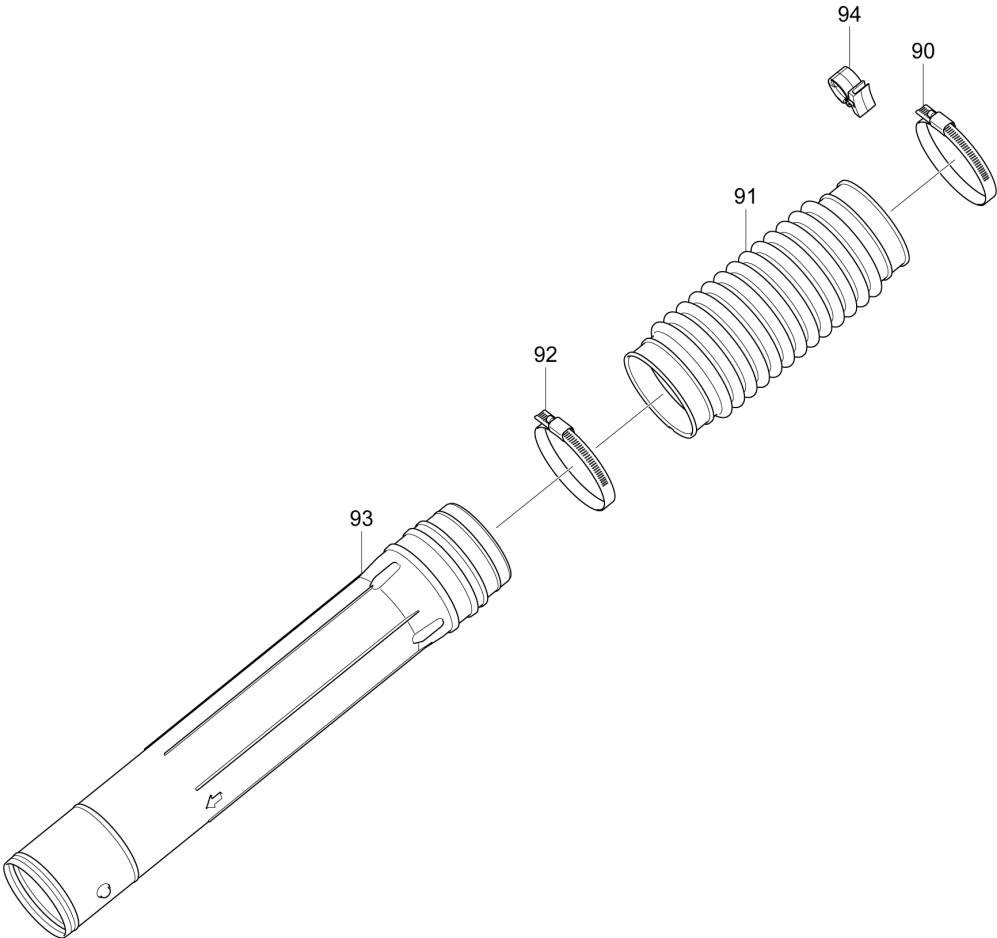
Diagram / Parts List

EB5300TH

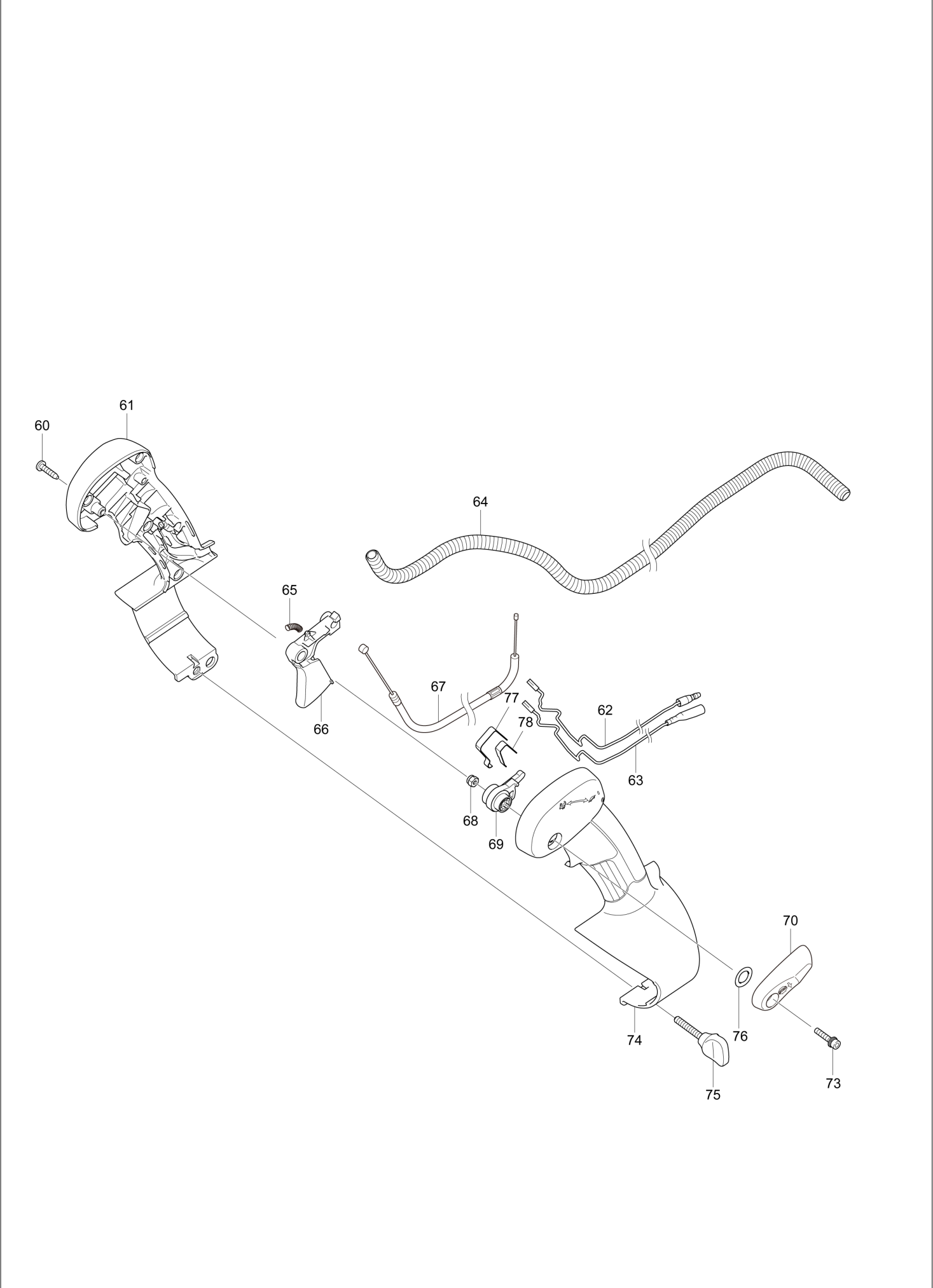
PETROL BLOWER



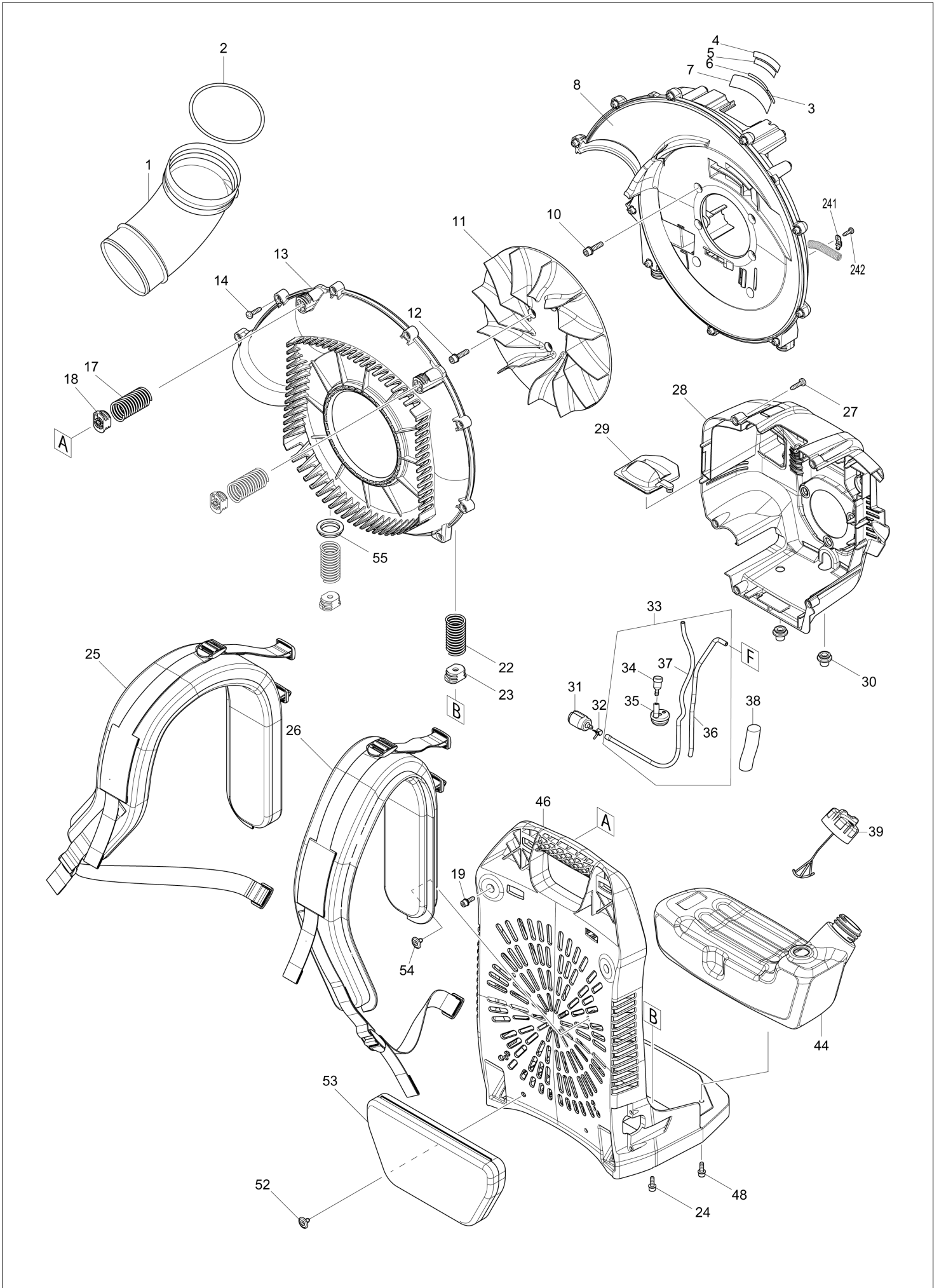
(TH) EB5300TH / PETROL BLOWER



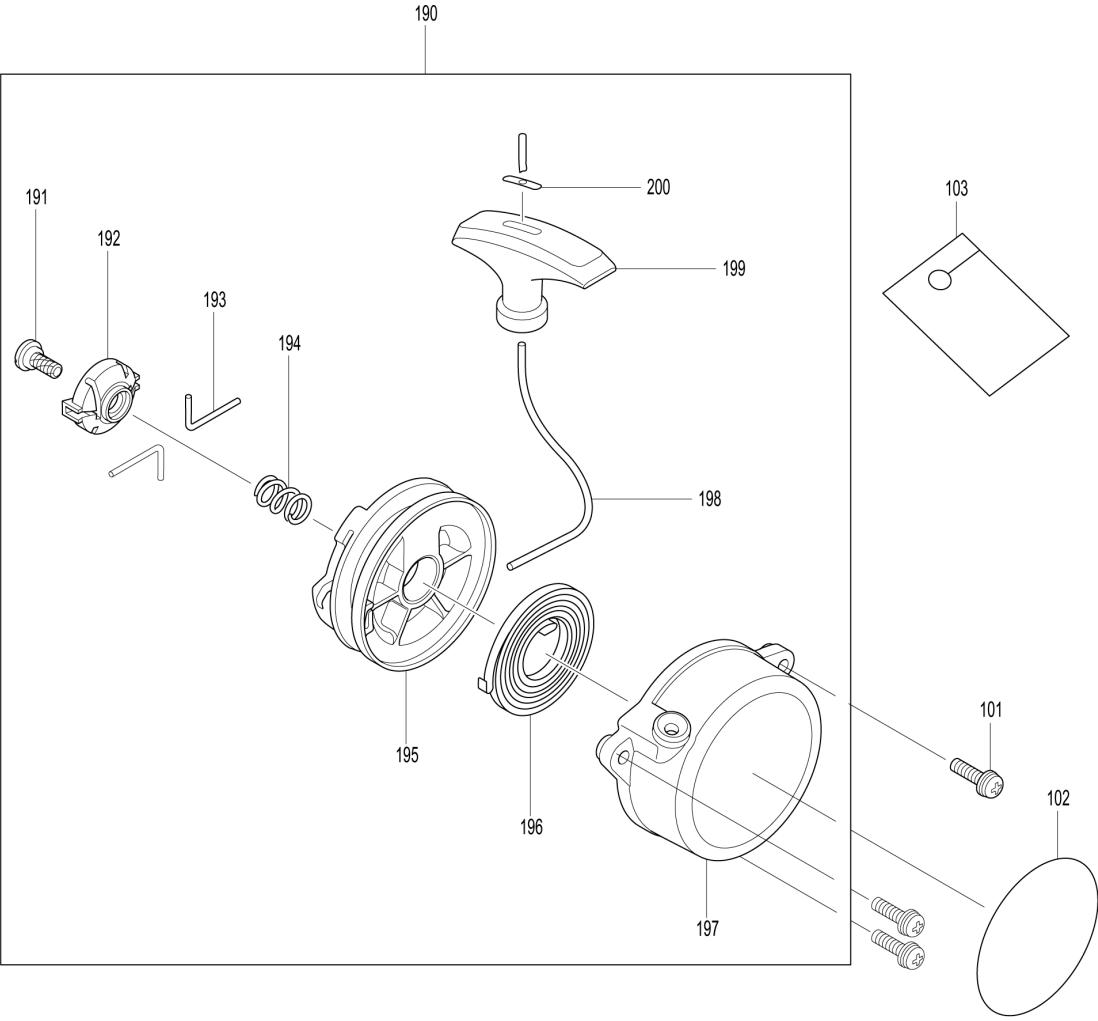
(TH) EB5300TH / PETROL BLOWER



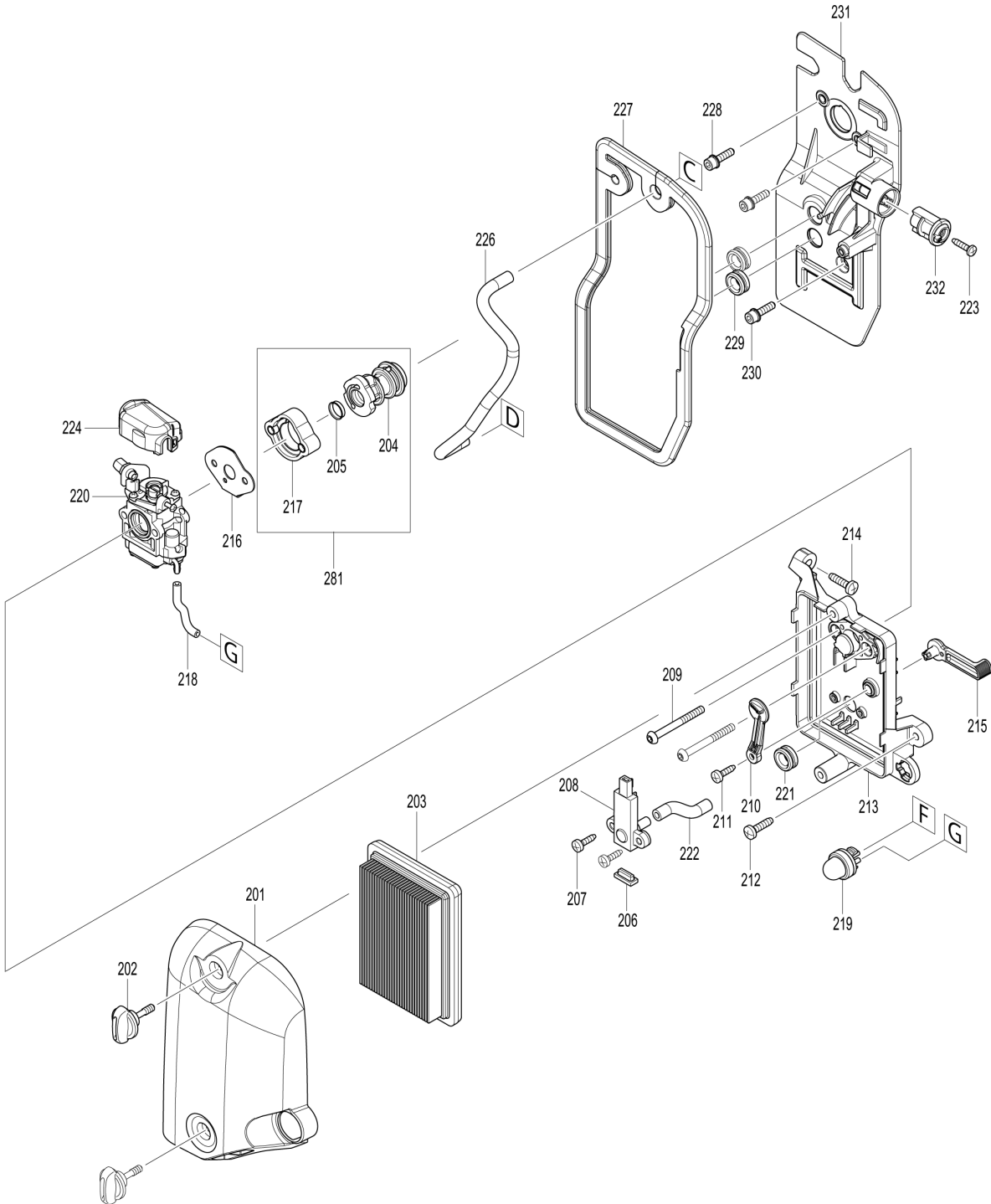
(TH) EB5300TH / PETROL BLOWER



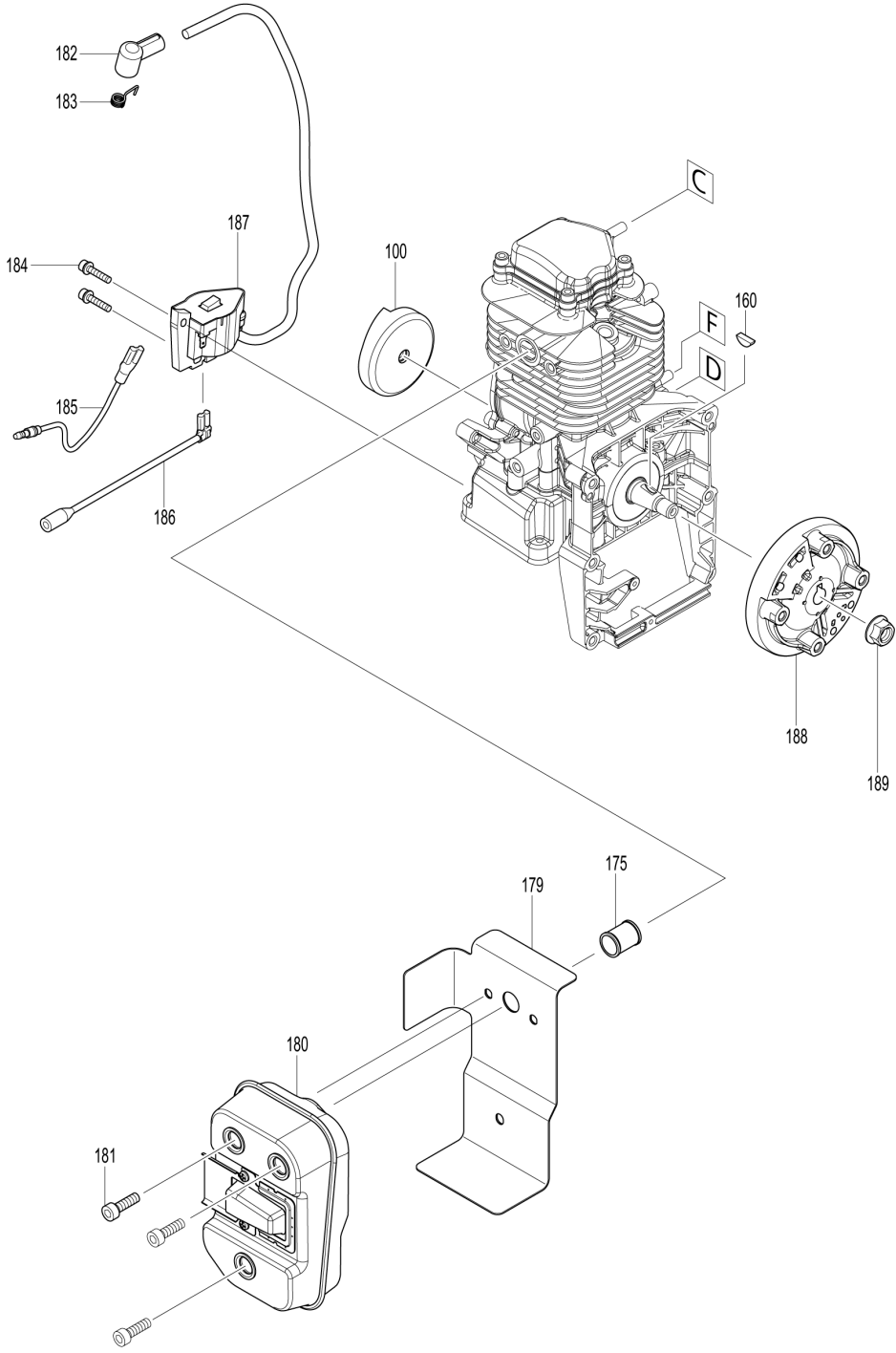
(TH) EB5300TH / PETROL BLOWER



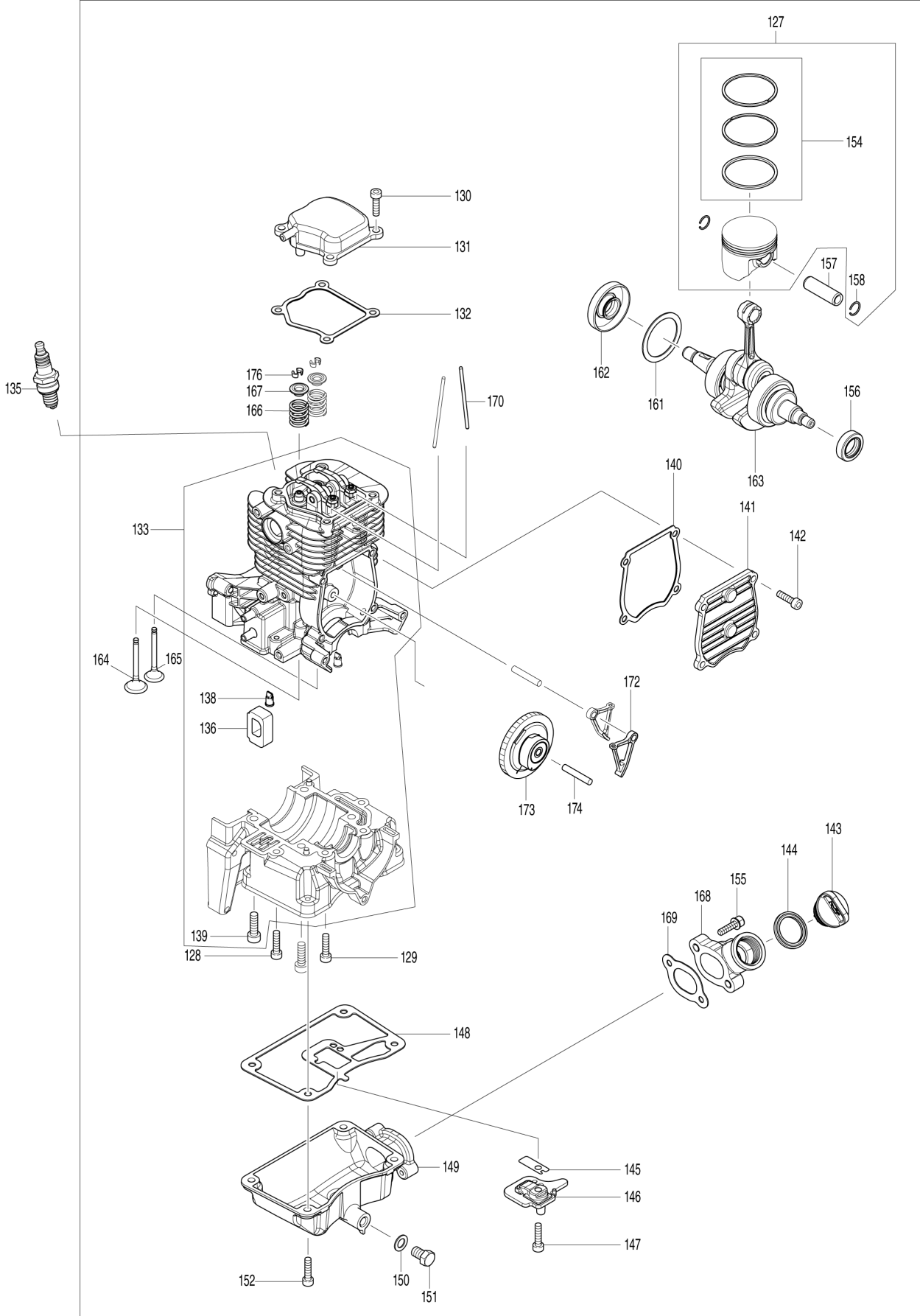
(TH) EB5300TH / PETROL BLOWER



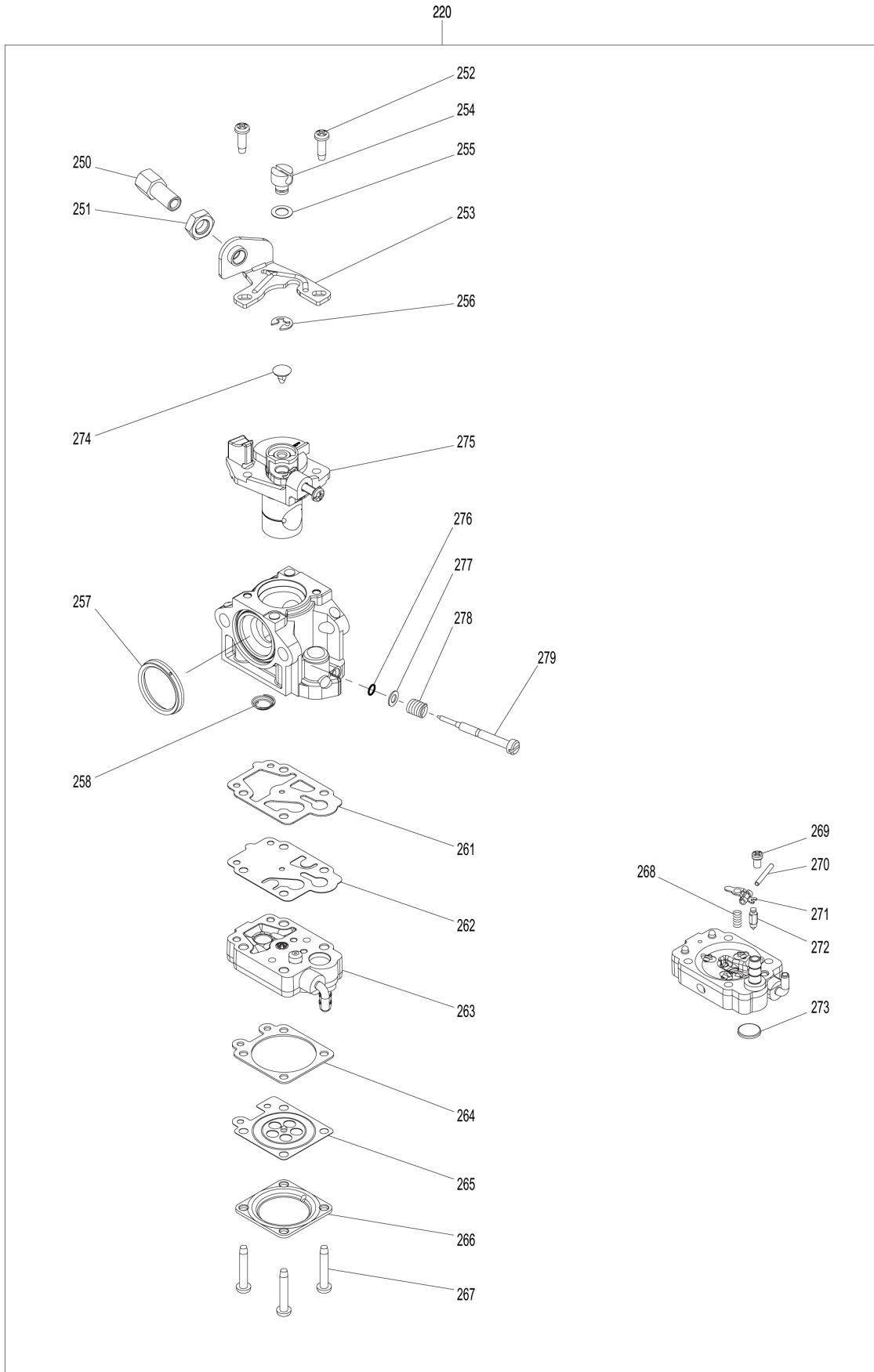
(TH) EB5300TH / PETROL BLOWER



(TH) EB5300TH / PETROL BLOWER



(TH) EB5300TH / PETROL BLOWER



TH	THAILAND
----	----------

EB5300TH / PETROL BLOWER

Item	Sub	Parts No.	Parts Description	Qty	I/C	E/C No.	Close No.	Remark
001		412144-8	ELBOW	1				
002		213645-7	O RING 93	1				
003		852V99-1	SERIAL NO. LABEL	1				
005		803T61-7	CAUTION LABEL	1				
006		814E64-6	SERIAL NO. LABEL	1				
008		457098-2	FRONT VOLUTE CASE	1				
010		922343-9	H.S.H.BOLT M6X25 WITH WR	6				
011		240170-5	FAN 243	1				
012		922343-9	H.S.H.BOLT M6X25 WITH WR	4				
013		457099-0	REAR VOLUTE CASE	1				
014		266420-0	TAPPING SCREW 5X20	10				
017		232328-0	COMPRESSION SPRING 22	2				
018		454904-2	SPRING HOLDER B	2				
019		922223-9	H.S.H.BOLT M5X16 WITH WR	2				
022		232329-8	COMPRESSION SPRING 22	2				
023		454904-2	SPRING HOLDER B	2				
024		922223-9	H.S.H.BOLT M5X16 WITH WR	2				
025		161544-6	BAND R COMPLETE M	1			C4954	
025-1		162506-7	BAND R COMPLETE M	1	O	C4954		
026		161543-8	BAND L COMPLETE M	1			C4954	
026-1		162505-9	BAND L COMPLETE M	1	O	C4954		
027		266420-0	TAPPING SCREW 5X20	5				
028		144360-1	ENGINE COVER COMPLETE M	1				
	C10	898343-0	CAUTION LABEL	1				
029		424909-6	PLUG COVER	1				
030		424620-0	DAMPER	2				
031		163532-9	FILTER	1				
032		345920-4	HOSE CLAMP	1				
033		123788-6	FUEL TUBE ASSEMBLY	1				
	D10		INC. 34-37					
034		168396-6	BREATHER	1				
035		424505-0	FUEL GROMMET	1				
036		412120-2	FUEL TUBE 3-370	1				
037		412114-7	FUEL TUBE 3-370	1				
038		422137-7	TUBE GUARD 20-102	1				
039		125728-0	FUEL TANK CAP ASSEMBLY	1			C4429	
039-1		127112-5	FUEL TANK CAP ASSEMBLY	1	O	C4429		
044		457086-9	FUEL TANK	1				
046		457097-4	FRAME	1				
048		922223-9	H.S.H.BOLT M5X16 WITH WR	2				
052		6672500300	LOCK RIVET	4			B8428	
052-1		458158-3	RIVET 6	4	O	B8428		
053		161547-0	CUSION	1				
054		6672500300	LOCK RIVET	2			B8428	
054-1		458158-3	RIVET 6	2	O	B8428		
055		424678-9	RUBBER RING 25	1				
059		810455-9	CAUTION PLATE	1				
060		266326-2	TAPPING SCREW 4X18	5				
061		183F27-2	LEVER CASE SET	1				
	D10		INC. 74					
062		632J31-7	LEAD UNIT A	1				
063		632J60-0	LEAD UNIT B	1				
064		457105-1	CORRUGATE TUBE	1				
065		231469-9	COMPRESSION SPRING 4	1				
066		454899-9	THROTTLE LEVER A	1				
067		168843-7	CONTROL CABLE	1				
068		252126-6	HEX. LOCK NUT M4-7	1				
069		454924-6	THROTTLE LINK	1				
070		454900-0	THROTTLE LEVER B	1				
073		922138-0	H.S.H.BOLT M4X20 WITH WR	1				
074		183F27-2	LEVER CASE SET	1				
	D10		INC. 61					
075		265762-9	THUMB SCREW M5X30	1				
076		253052-2	FLAT WASHER 12	1				
077		232330-3	LEAF SPRING	1				

A:EB5300TH(N)

Interchange
O : Yes
X : No
< : the new part can be substituted for the current.
> : the current part can be substituted for the new.
S : Interchangeable as a set.

TH	THAILAND
----	----------

EB5300TH / PETROL BLOWER

Item	Sub	Parts No.	Parts Description	Qty	I/C	E/C No.	Close No.	Remark
078		232331-1	LEAF SPRING	1				
090		282025-8	HOSE CLAMP 100	1				
091		454934-3	FLEXIBLE PIPE	1				
092		282025-8	HOSE CLAMP 100	1				
093		161653-1	SWIVEL PIPE COMPLETE	1				
094		456400-6	CABLE HOLDER	1				
100		5975500000	PULLEY	1			C0676	
100-1		161599-1	PULLEY	1	O	C0676		
101		922233-6	H.S.H.BOLT M5X20 WITH WR	3				
102		812A80-8	EB5300TH MODEL NO. LABEL	1				
103		819432-8	CAUTION TAG	1				
127		198420-1	PISTON SET	1				
	D10		INC. 154,158					
128		922232-8	HEX. SOCKET HEAD BOLT M5X20	2				
129		922232-8	HEX. SOCKET HEAD BOLT M5X20	2				
130		922232-8	HEX. SOCKET HEAD BOLT M5X20	4				
131		319465-8	ROCKER COVER	1				
132		161520-0	ROCKER COVER GASKET	1				
133		135893-7	CYLINDER BLOCK COMPLETE ASS'Y	1			B8859	
	D10		INC. 136,138,139				B8859	
133-1		126737-2	CYLINDER BLOCK ASSEMBLY	1	O	B8859		
	D10		INC. 136,138,139			B8859		
135		168652-4	SPARK PLUG	1				
136		352020-3	SEPARATOR MESH	1				
138		424201-0	CHECK VALVE	3				
139		922332-4	HEX. SOCKET HEAD BOLT M6X20	4				
140		161521-8	CAM GEAR COVER GASKET	1				
141		319464-0	CAM GEAR COVER	1				
142		922232-8	HEX. SOCKET HEAD BOLT M5X20	4				
143		452047-4	OIL CAP	1				
144		424343-0	GASKET	1				
145		346398-4	LEAD VALVE	1				
146		319467-4	RETAINER PLATE	1				
147		922232-8	HEX. SOCKET HEAD BOLT M5X20	1				
148		161522-6	OIL CASE GASKET	1				
149		319466-6	OIL CASE	1				
150		346452-4	GASKET	1				
151		921412-3	HEX. BOLT M8X12	1				
152		922232-8	HEX. SOCKET HEAD BOLT M5X20	4				
154		198421-9	PISTON RING SET	1				
155		922233-6	H.S.H.BOLT M5X20 WITH WR	2				
156		213231-4	OIL SEAL 15	1				
157		256331-7	PISTON PIN 11	1				
158		232316-7	RING SPRING 11	2				
160		254001-2	WOODRUFF KEY 4	1				
161		253374-0	FLAT WASHER 35	1				
162		213088-3	OIL SEAL 15	1				
163		123748-8	CRANK SHAFT ASSEMBLY	1				
164		326795-0	INTAKE VALVE	1				
165		326796-8	EXHAUST VALVE	1				
166		232315-9	COMPRESSION SPRING 12	2				
167		331966-6	RETAINER	2				
168		456999-1	OIL PIPE	1				
169		161523-4	OIL PIPE GASKET	1				
170		256866-8	ROD 2.5	2				
172		310739-0	CAM LIFTER	2				
173		135894-5	CAM GEAR ASSY	1				
174		256196-7	PIN 5	2				
175		331987-8	EXHAUST PORT SPACER	1				
176		331967-4	COTTER	4				
179		347077-7	MUFFLER GASKET	1				
180		161518-7	MUFFLER	1				
181		922332-4	HEX. SOCKET HEAD BOLT M6X20	3				
182		424105-6	PLUG CAP	1				
183		324891-8	PLUG CAP SPRING	1				

A:EB5300TH(N)

Interchange
O : Yes
X : No
< : the new part can be substituted for the current.
> : the current part can be substituted for the new.
S : Interchangeable as a set.

TH	THAILAND
----	----------

EB5300TH / PETROL BLOWER

Item	Sub	Parts No.	Parts Description	Qty	I/C	E/C No.	Close No.	Remark
184		922138-0	H.S.H.BOLT M4X20 WITH WR	2				
185		632J30-9	LEAD UNIT A	1				
186		632J50-3	LEAD UNIT B	1				
187		161411-5	IGNITION COIL	1				
188		319391-1	FLYWHEEL	1				
189		264054-3	FLANGE NUT M10	1				
190		123863-8	RECOIL STARTER ASSEMBLY	1				
	D10		INC. 191-200					
191		SG00000005	SET SCREW A60701200080	1				
192		424516-5	COLLAR	1				
193		326200-7	SWING ARM	2				
194		234257-3	FRICTION SPRING	1				
195		441075-4	REEL	1				
196		SG00000018	SPIRAL SPRING	1				
197		457302-9	RECOIL STARTER	1				
198		444043-6	STARTER ROPE	1				
199		424361-8	STARTER KNOB	1				
200		SG00000009	ROPE STOPPER A57302611810	1				
201		457088-5	AIR CLEANER COVER	1				
202		251481-3	THUMB SCREW M5X20	2				
203		424896-9	AIR CLEANER ELEMENT	1			D6115	
203-1		424896-9	AIR CLEANER ELEMENT	1	O	D6115		
204		424898-5	FUEL SUCTION LINE	1				
205		332075-4	INNER RING	1				
206		424897-7	RUBBER PLATE	1				
207		266192-7	TAPPING SCREW 4X14	2				
208		456994-1	BLOWBY GUIDE	1				
209		251496-0	H.S. BUTTON HEAD BOLT M5X50	2				
210		456995-9	CHOKE PLATE	1			B9550	
210-1		458167-2	CHOKE PLATE	1	<	B9550		
211		266192-7	TAPPING SCREW 4X14	1				
212		266420-0	TAPPING SCREW 5X20	1				
213		456993-3	AIR CLEANER PLATE	1				
214		266420-0	TAPPING SCREW 5X20	2				
215		453502-9	CHOKE LEVER	1			B9550	
215-1		458165-6	CHOKE LEVER	1	S	B9550		
216		161519-5	CARBURETOR GASKET	1				
217		456996-7	CARBURETOR BRACKET	1				
218		424900-4	FUEL TUBE 3-85	1				
219		168398-2	PRIMER PUMP	1				
220		161596-7	CARBURETOR	1				
	D10		INC. 250-258,261-279					
221		424623-4	GROMMET	1				
222		422084-2	TUBE 5-55	1				
223		266326-2	TAPPING SCREW 4X18	1				
224		456401-4	CARBURETOR COVER	1				
226		424901-2	OIL TUBE 5-195	1				
227		424899-3	INSULATOR SEAL	1				
228		922233-6	H.S.H.BOLT M5X20 WITH WR	2				
229		424623-4	GROMMET	2				
230		922233-6	H.S.H.BOLT M5X20 WITH WR	1				
231		456997-5	INSULATOR	1				
232		456998-3	ICING VALVE	1				
241		687682-1	STRAIN RELIEF	2				
242		266192-7	TAPPING SCREW 4X14	2				
250		266795-7	ADJUST SCREW	1				
251		264065-8	CABLE ADJUST NUT M6	1				
252		266704-6	PAN HEAD SCREW M3X10	2				
253		346491-4	BRACKET CABLE	1				
254		325922-6	SWIVEL	1				
255		413140-9	WASHER	1				
256		257964-1	STOP RING E-3	1				
257		424444-4	PACKING RING	1				
258		234183-6	CONICAL COMPRESSION SPRING 5-9	1				
261		442155-9	PUMP GASKET	1				

A:EB5300TH(N)

Interchange
O : Yes
X : No
< : the new part can be substituted for the current.
> : the current part can be substituted for the new.
S : Interchangeable as a set.

